

ASSEMBLY INSTRUCTION

ITEM#

T512/T513-05

DESCRIPTION

SOFA TABLE

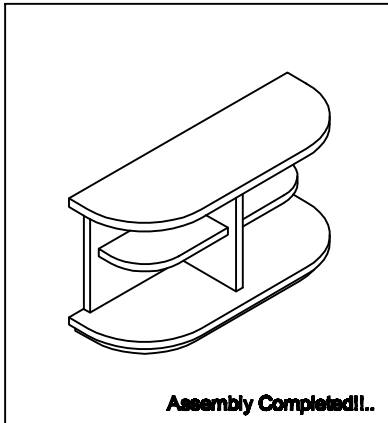
Thank you for purchasing this quality product. Be sure to check all packing material carefully for small parts which may have come loose inside the carton during shipment. Identify and count all parts and compare with Hardware/Parts Lists below:

HARDWARE LIST

NO.	SKETCH	HARDWARE	Q' TY	NO.	SKETCH	HARDWARE	Q' TY
A		1/4"×1-1/4" ALLEN BOLT	13	D		4mm ALLEN WRENCH	1
B		Ø1/4" LOCK WASHER	17	E		1/4"×2" ALLEN BOLT	4
C		Ø1/4" FLAT WASHER	17	F		Ø8/30mm DOWELL	7

PARTS LIST

SKETCH						
	Gx1	Hx1	Jx1	Kx1	Lx1	Mx1
DESCRIPTION	Table TOP	Back Panel	Middle Panel	Left Shelf	Right Shelf	Bottom Shelf



ASSEMBLY STEP

