

# ASSEMBLY INSTRUCTION

ITEM NO : T437-04/05

Dr. Shelf End Table/Dr. Shelf Sofa Table

Thank you for purchasing our product, please study the diagram and inventory all parts before assembling.

**Important Note :**

Follow instructions listed below in the proper sequence to assure fast, easy and correct assembly.

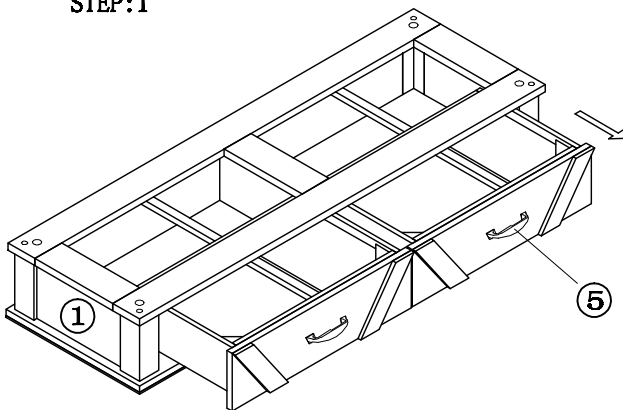
Do not completely tighten until the item has been fully assembled.

1. Upon opening thoroughly clean all wood surfaces with a clean soft cloth to remove dust and dirt that may have settled onto finish during shipment.

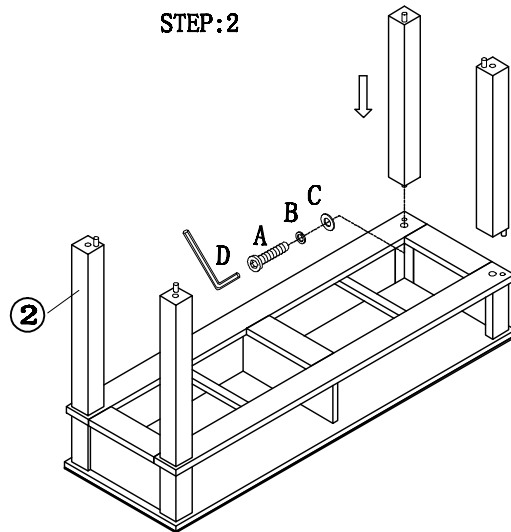
2. Place on soft surface during assembly to prevent furniture from scratching.

PARTS TABLE					HARDWARE LIST										
①		Top Assembly	1PC	③		Bottom Shelf	1PC	A		Hexagon bolt (ø5/16\"/>	4PCS	B		Spring washer (5/16\"/>	8PCS
②		Leg	4PCS	④		Foot	4PCS	C		Flat washer (5/16\"/>	8PCS	D		Allen Wrench (ø5/16)	1PC
⑤		Drawer Pull	2PCS					E		Hexagon bolt (ø5/16\"/>	4PCS				

STEP:1



STEP:2



STEP:3

