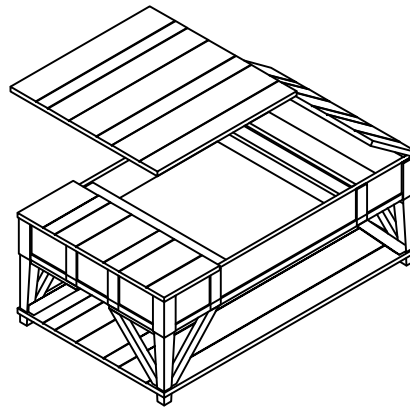
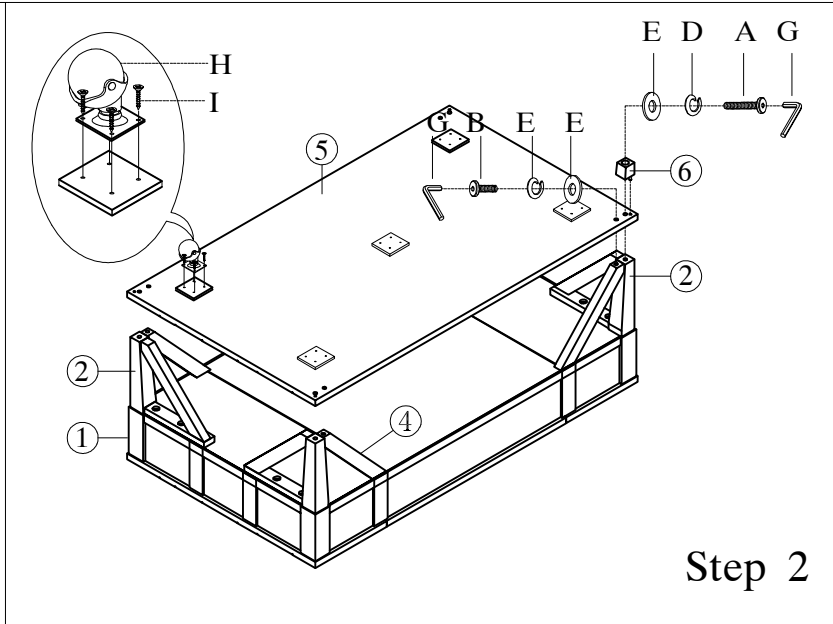
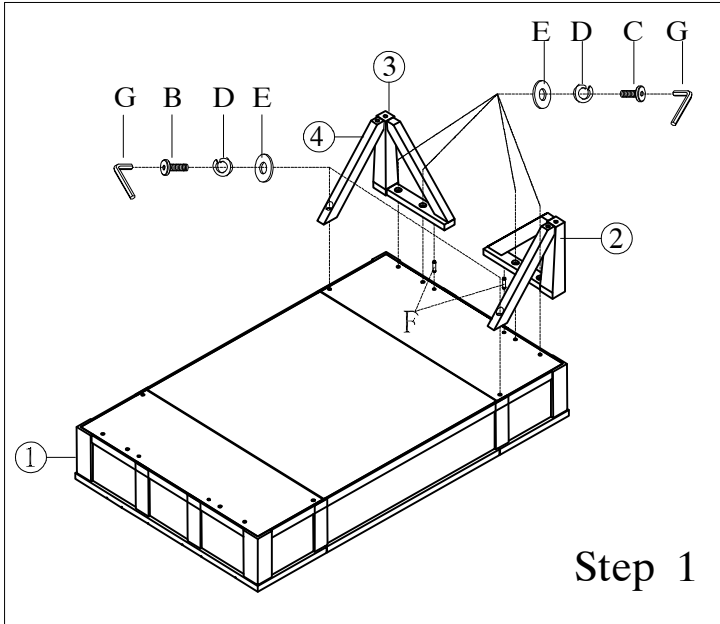


ASSEMBLY  
INSTRUCTIONS

ITEM NO.: T425-14 Rect Lift Table

Thank you for purchasing this quality product. Be sure to check all packing materials carefully for small parts may have come loose inside the carton during shipment, clarify and count all parts and compare with the parts list below. Do not completely tighten until the item has been fully assembled.



HARDWARE LIST				PARTS LIST				
A		BOLT	Ø5/16"*2-1/2"L	4PCS	1		TOP ASSEMBLY	1PC
B		BOLT	Ø5/16"*1-1/2"L	4PCS				
C		BOLT	Ø5/16"*1"L	16PCS				
D		LOCK WASHER	Ø5/16"*12mm	20PCS				
E		FLAT WASHER	Ø5/16"*16mm	20PCS				
F		WOOD PLUG	Ø8*25mm	4PCS				
G		ALLEN WRENCH	5mm	1PC	2		RIGHT LEG	2PCS
H		CASTER	2"	5PCS				
I		SCREW	#8*3/4"	20PCS				
					3		LEFT LEG	2PCS
					4		STRETCHER	4PCS
					5		SHELF	1PC
					6		FOOT	4PCS

Cleaning Instruction: Clean the table surface with a furniture polish and a soft cloth.

Made in Vietnam