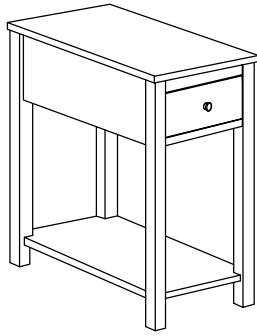


ASSEMBLY INSTRUCTION

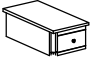
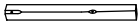

Item No: T400 - 71

Description: CHAIR SIDE TABLE



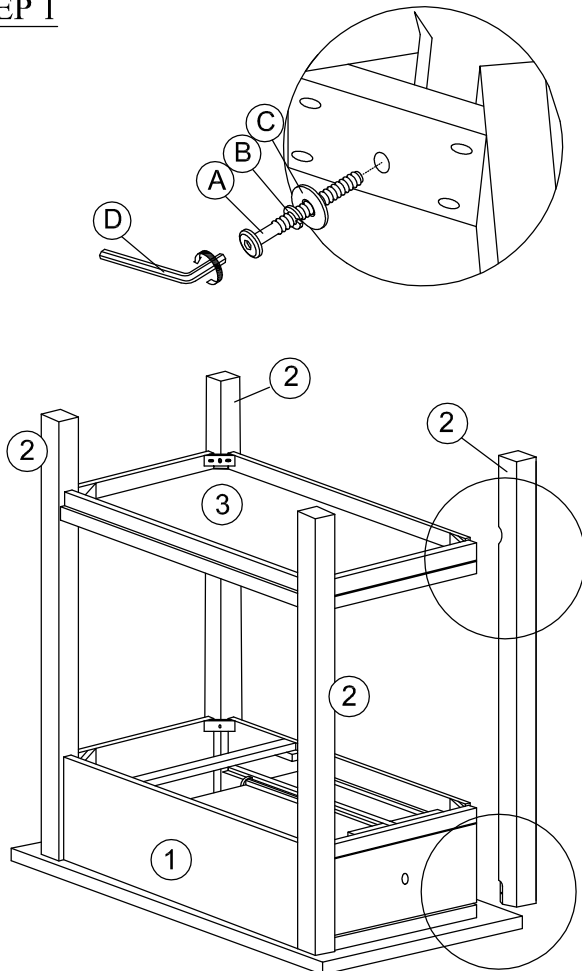
IMPORTANT NOTE :

- Place all wooden parts on a clean and smooth surface such as a rug or carpet to avoid the parts from being scratched.
- Check to be sure that you have all parts and hardware.
- Remove all wrapping materials, including staples & packing straps before you start to assemble.
- Do not tighten all screws/bolts until all completely assembled.
- Keep all hardware parts out of reach of children.

| PARTS LIST | | |
|------------|-------------------------------------------------------------------------------------------------------------|-------|
| NO. | COMPONENT | QTY. |
| 1 | TABLE TOP WITH DRAWER BOX  | 1 PC |
| 2 | TABLE LEG  | 4 PCS |
| 3 | SHELF  | 1 PC |

| HARDWARE LIST | | |
|---------------|---------------------------------------------------------------------------------------------------------|-------|
| NO. | COMPONENT | QTY. |
| A | JCBC BOLT M6 x 60MM  | 8 PCS |
| B | 1/4" SPRING WASHER  | 8 PCS |
| C | 1/4" FLAT WASHER  | 8 PCS |
| D | ALLEN KEY  | 1 PC |

STEP 1



STEP 2

