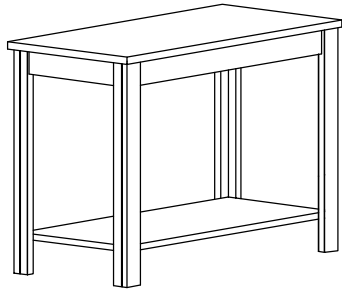


ASSEMBLY INSTRUCTION

Item No: T400 - 69

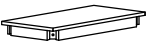



Description: CHAIR SIDE TABLE






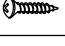

IMPORTANT NOTE :

- Place all wooden parts on a clean and smooth surface such as a rug or carpet to avoid the parts from being scratched.
- Check to be sure that you have all parts and hardware.
- Remove all wrapping materials, including staples & packing straps before you start to assemble.
- Do not tighten all screws/bolts until all completely assembled.
- Keep all hardware parts out of reach of children.

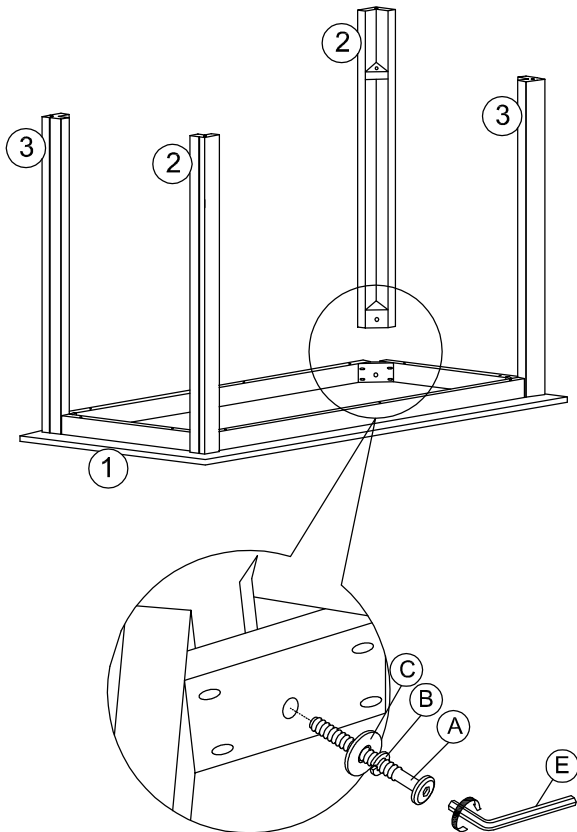
PARTS LIST

NO.	COMPONENT	QTY.
1	TABLE TOP 	1 PC
2	TABLE LEG - LEFT (CL) 	2 PCS
3	TABLE LEG - RIGHT (CR) 	2 PCS
4	SHELF 	1 PC

HARDWARE LIST

NO.	COMPONENT	QTY.
A	JCBC BOLT M6 x 50MM 	4 PCS
B	1/4" SPRING WASHER 	4 PCS
C	1/4" FLAT WASHER 	4 PCS
D	CB SCREW M4 x 25MM 	4 PCS
E	ALLEN KEY 	1 PC

STEP 1



STEP 2

