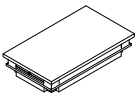
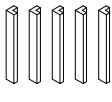
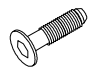

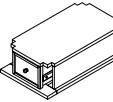
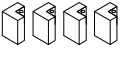

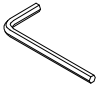
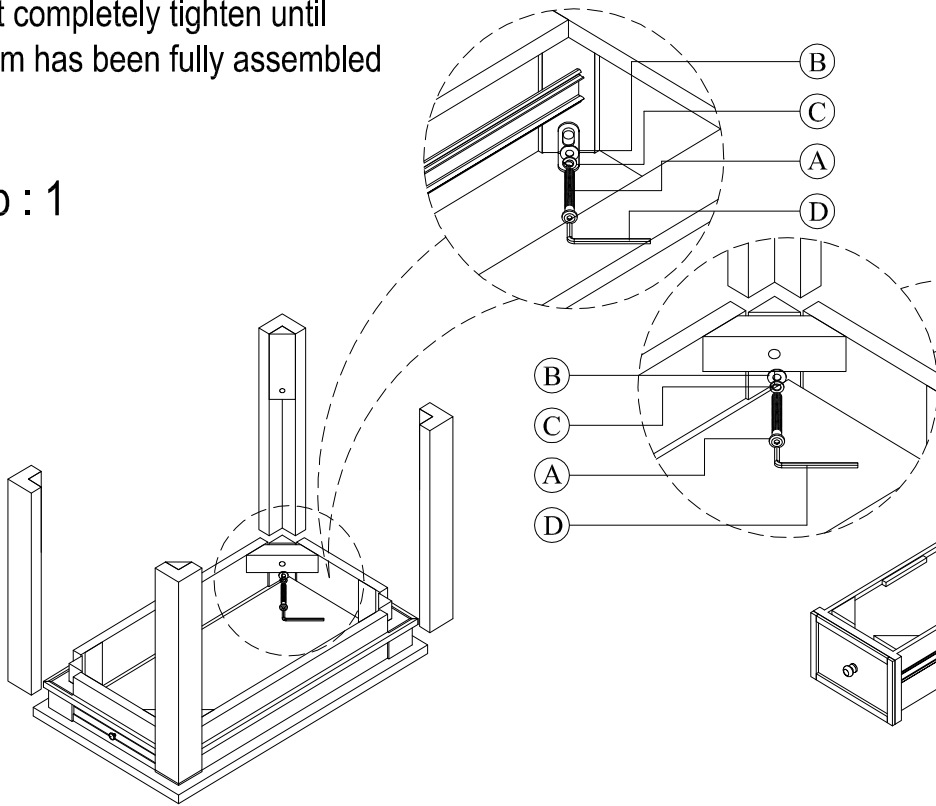


Thank you for purchasing this quality product. Be sure to check all packing material carefully for small part, which may have come loose inside the carton during shipment. Identify and count all parts and compare with the Part List below

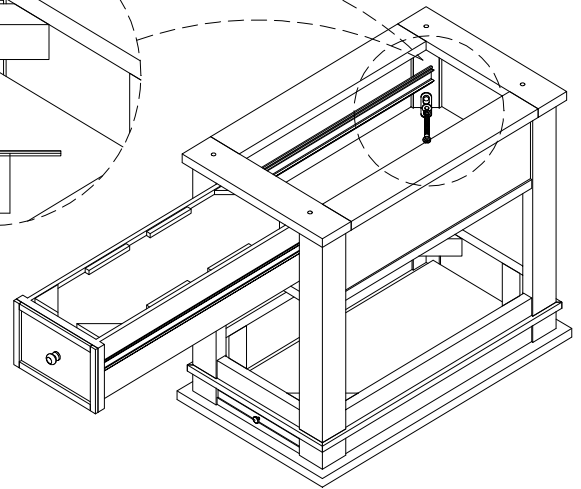
PART LIST					HARDWARE LIST						
1	 Table Top	1 pc	3	 Post	4 pcs	A	 KD Bolt M6 x 30 mm	16 pcs	C	 Lock washer Ø6 x Ø13 mm	16 pcs
2	 Shelf Panel	1 pc	4	 Legs	4 pcs	B	 Flat washer Ø6 x Ø16 mm	16 pcs	D	 Allen key L - 4 mm	1 pc

Do not completely tighten until the item has been fully assembled

Step : 1



Step : 2



Step : 3

