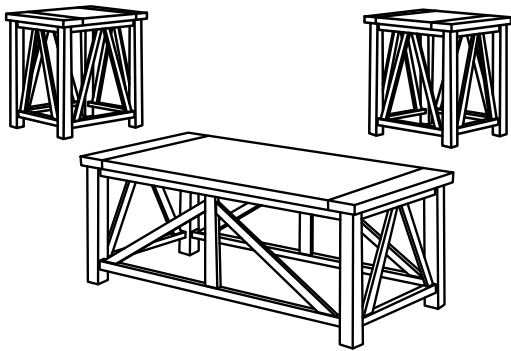


# Progressive® ASSEMBLY INSTRUCTION

furniture Item No: T388-95

Description: 3 PACK COCKTAIL & 2 END TABLES



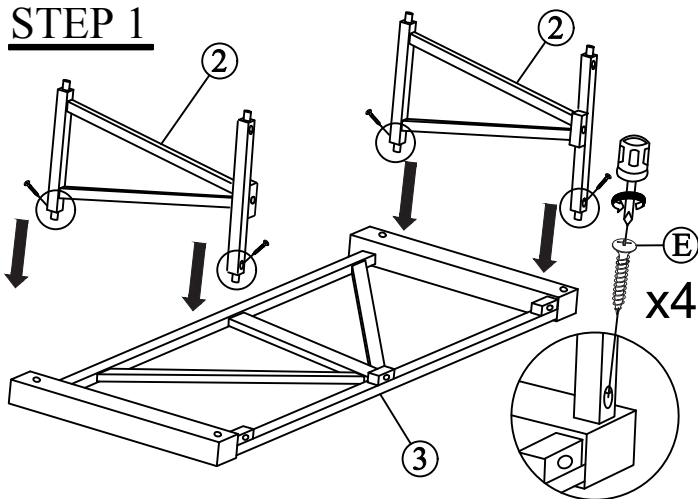
## IMPORTANT NOTE :

- Place all wooden parts on a clean and smooth surface such as a rug or carpet to avoid the parts from being scratched.
- Check to be sure that you have all parts and hardware.
- Remove all wrapping materials, including staples & packing straps before you start to assemble.
- Do not tighten all screws/bolts until all completely assembled.
- Keep all hardware parts out of reach of children.

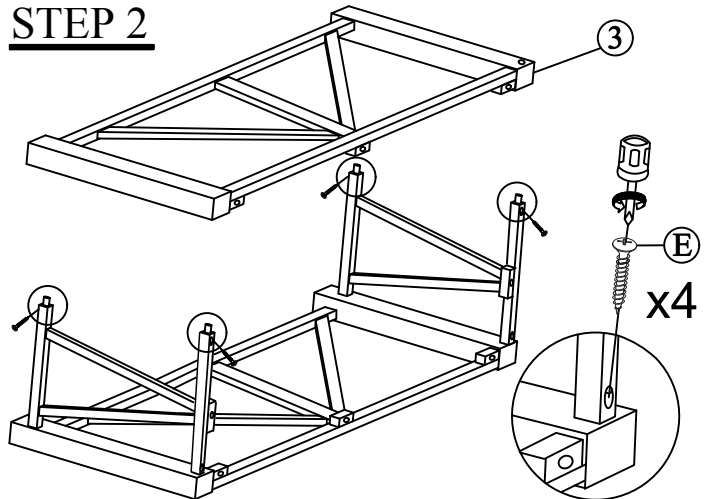
PARTS LIST		
NO.	COMPONENT	QTY.
1	COCKTAIL TABLE TOP	1 PCS
2	COCKTAIL SIDE FRAME	2 PCS
3	COCKTAIL LEG FRAME	2 PCS
4	END TABLE TOP	2 PCS
5	END SIDE FRAME	4 PCS
6	END LEG FRAME	4 PCS

HARDWARE LIST		
NO.	DESCRIPTION	QTY.
A	M4 x 100MM ALLEN KEY	1 PCS
B	M6 x 35MM JCBC BOLT	20 PCS
C	M6 x 13MM SPRING WASHER	20 PCS
D	M6 x 19MM FLAT WASHER	20 PCS
E	M4 x 38MM PAN HEAD SCREW	24 PCS

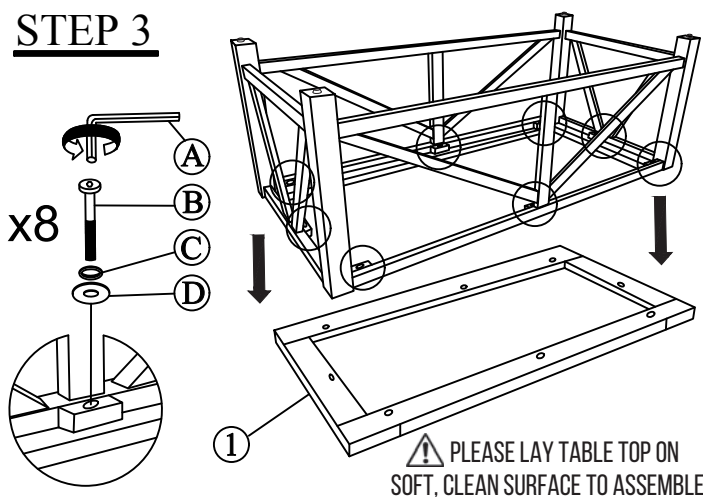
### STEP 1



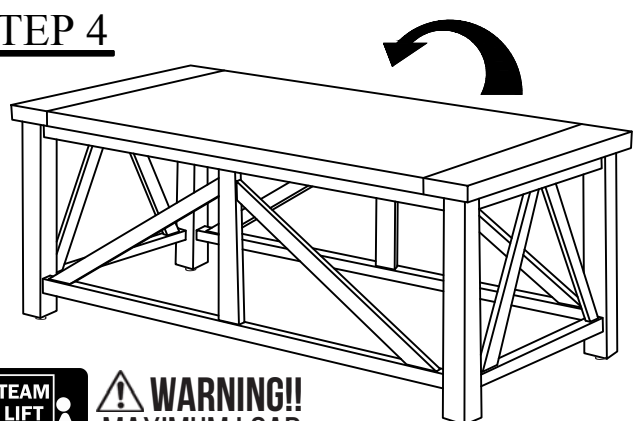
### STEP 2



### STEP 3

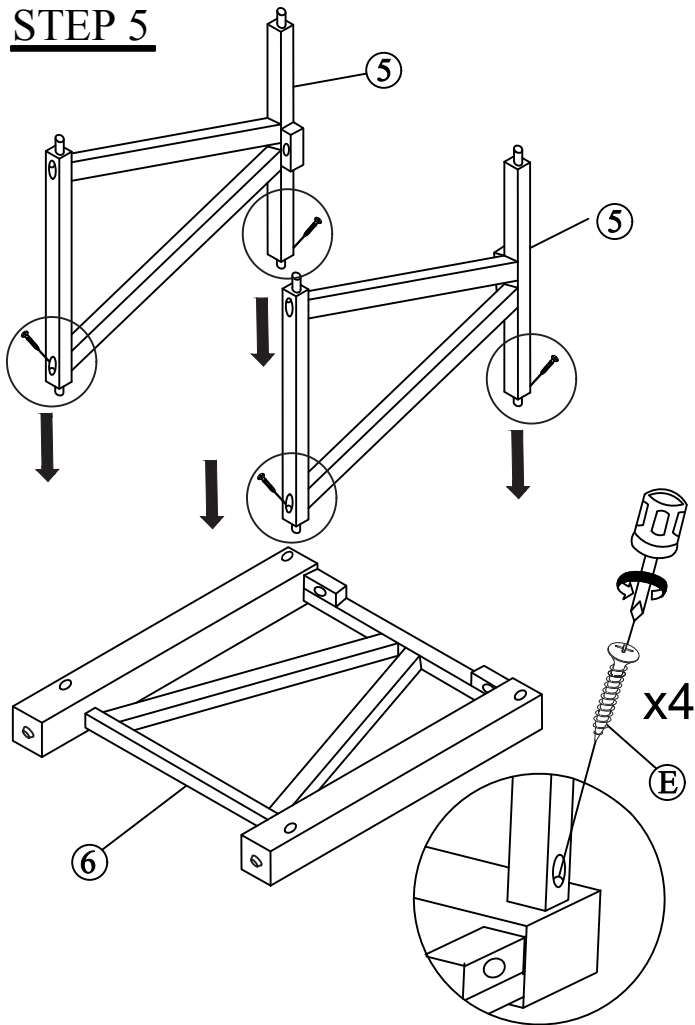


### STEP 4

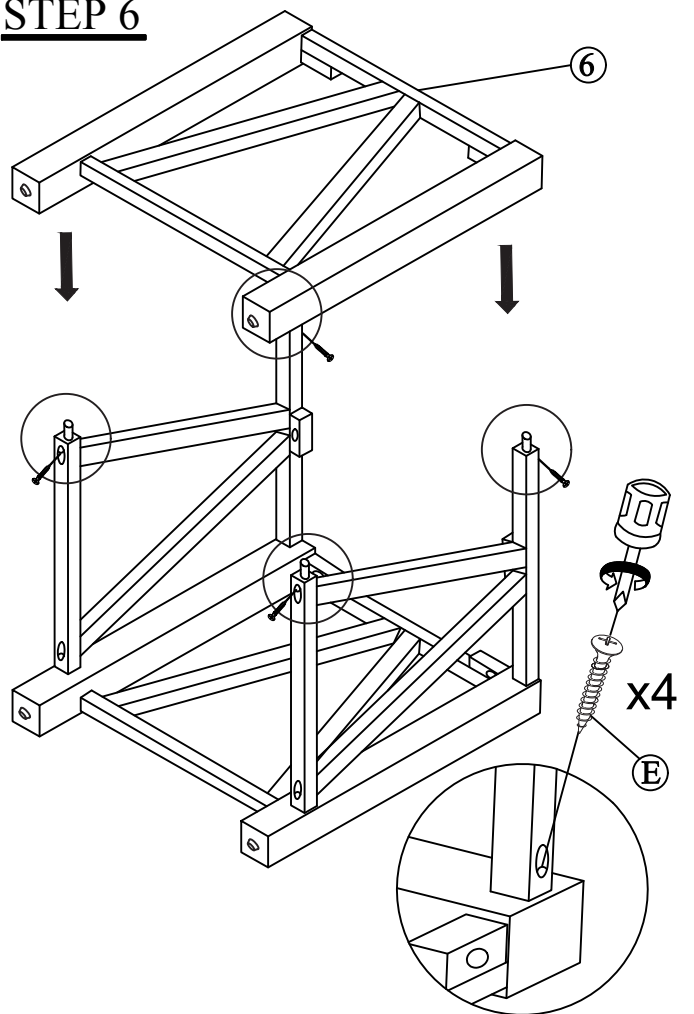


**WARNING!**  
MAXIMUM LOAD  
WEIGHT 50 LBS

**STEP 5**

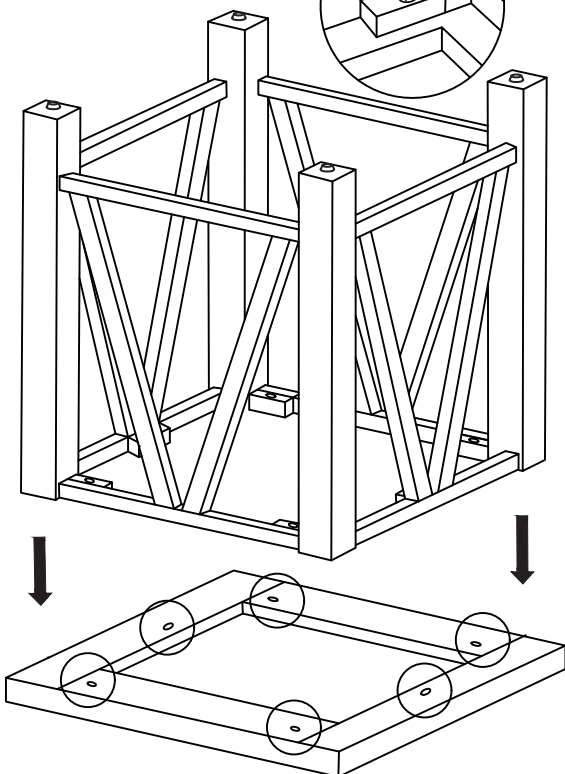
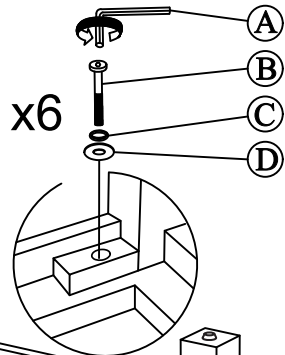


**STEP 6**



**STEP 7**

⚠ PLEASE LAY TABLE TOP ON SOFT, CLEAN SURFACE TO ASSEMBLE



**STEP 8**

