

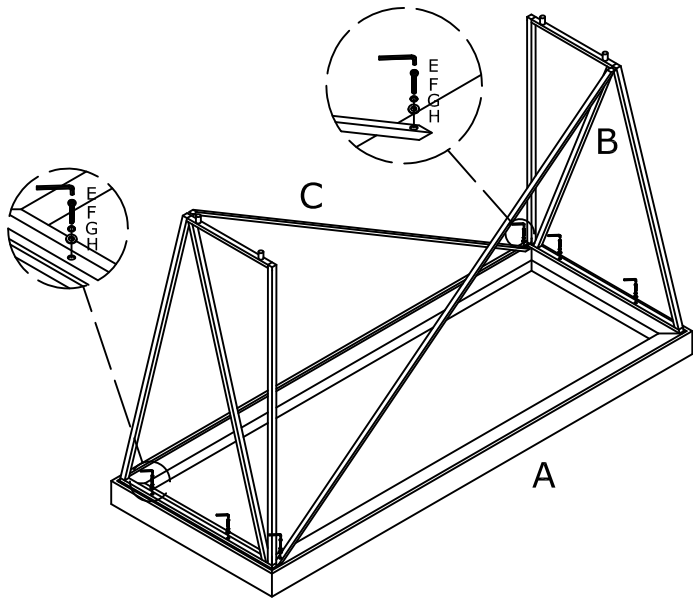
# ASSEMBLY INSTRUCTIONS

ITEM NO:T370-05

## SOFA/CONSOLE TABLE

Thank you for purchasing this quality product. Be sure to check all packing material carefully for small parts that may have come loose inside the carton during shipment.

Step 1: Put table top A upside down on a protective smooth surface, and attach metal legs B and then stretchers C;



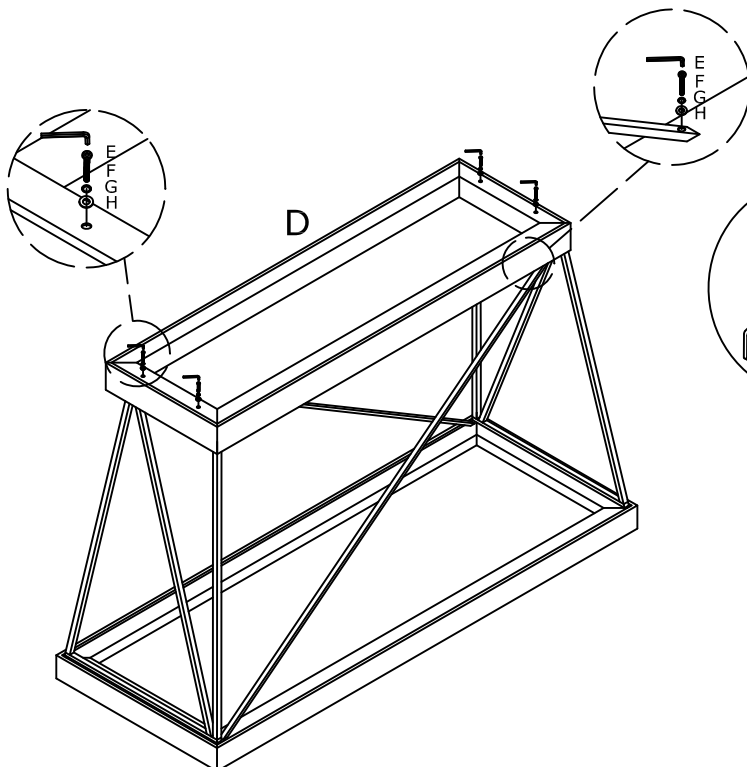
### PARTS LIST:

NO.	Description	Sketch	Quantity
A	Top		1pc
B	Metal Leg		2pcs
C	Metal Leg		2pcs
D	Bottom shelf		1pc

### HARDWARE LIST:

NO.	Description	Sketch	Quantity
E	Allen Wrench 4 MM		1pc
F	Bolt $\varnothing\frac{1}{4}$ "*16MM		12pcs
G	Lock Washer $\varnothing\frac{1}{4}$ "		12pcs
H	Flat Washer $\varnothing\frac{1}{4}$ "*17MM		12pcs

Step 2: Put the bottom shelf part ( D ) on top of the ( B & C ) Metal legs and locate the threaded inserts into the holes in bottom panel and then fasten the bolts.



Step 3

