
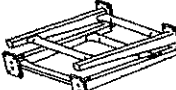








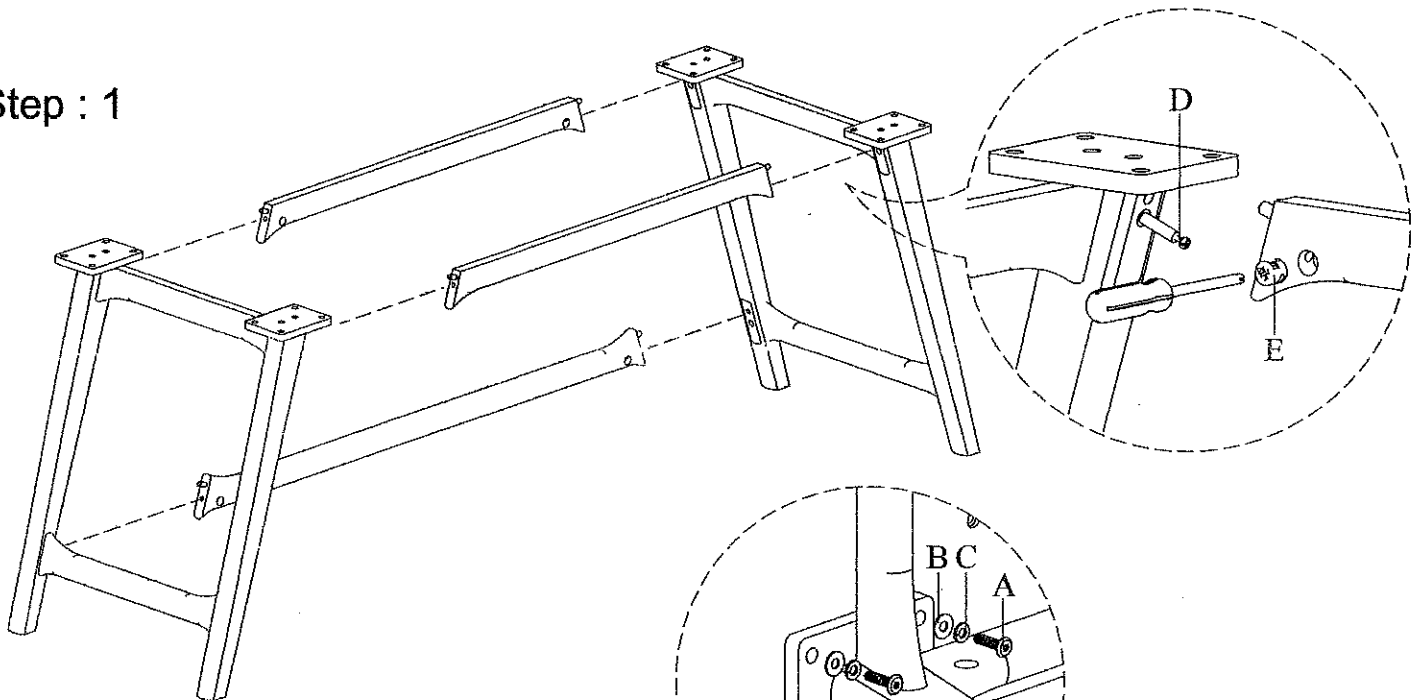


Thank you for purchasing this quality product. Be sure to check all packing material carefully for small parts, which may have come loose inside the carton during shipment. Identify and count all parts and compare with the Hardware List as below:

PARTS LIST				HARDWARE LIST							
1	 Table top	1 pc	3	 Legs	2 pcs	A	 KD Bolt M6 x 25mm	16 pcs	D	 Shelf bracket	6 pcs
2	 Strecher Top	2 pcs	4	 Strecher Bottom	1 pc	B	 Flat washer Ø6 x Ø16mm	16 pcs	E	 Shelf bracket	6 pcs
						C	 Lock washer Ø6 x Ø13mm	16 pcs	F	 Allen key L - 4mm	1 pc

Do not completely tighten until the item has been fully assembled

#### Step : 1



#### Step : 2

