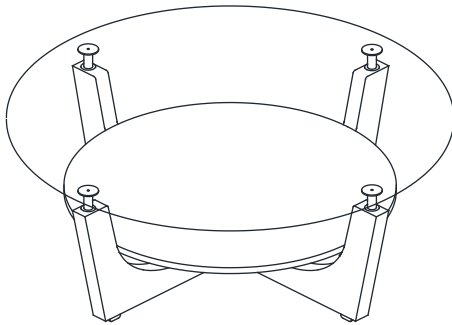


# Progressive® furniture ASSEMBLY INSTRUCTION

Item No: T332-01

Description: COFFEE TABLE



## IMPORTANT NOTE:

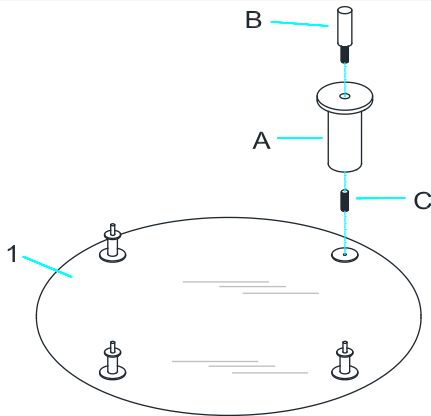
- Place all wooden parts on a clean and smooth surface such as a rug or carpet to avoid the parts from being scratched.
- Check to be sure that you have all parts and hardware.
- Remove all wrapping materials, including staples & packing straps before you start to assemble.
- Do not tighten all screws/bolts until all completely assembled.
- Keep all hardware parts out of reach of children.

End Table

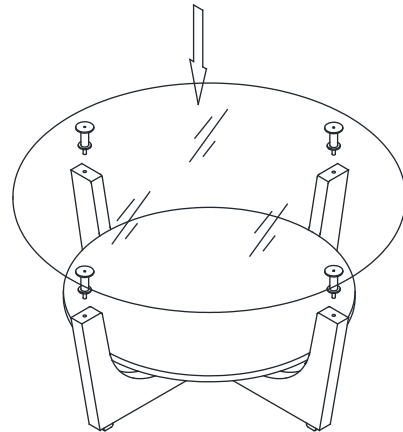
PARTS LIST		
NO.	COMPONENT	QTY.
1	TABLE TOP	1PC
2	TABLE LEG	2PCS
3	BOTTOM SHELF	1PC

HARDWARE LIST			
NO.	DESCRIPTION	QTY	
A	Rotating aluminium handle Ø45*57+M4	4 PCS	
B	Bolt Ø9*42mm	4 PCS	
C	Bolt ΦØ1/4" *20mmmm	4 PCS	
D	L Shaped 32*32*2 (80°)	4 PCS	
E	Bolt 1/4"(Ø12)*15mm	8 PCS	
F	Bolt 1/4" (Ø12)*40mm	1 PC	
G	Allen wrench M4*58mm	1 PC	
H	Lock washer Φ 1/4"	9 PCS	
I	Flat washer Φ 1/4"	9 PCS	

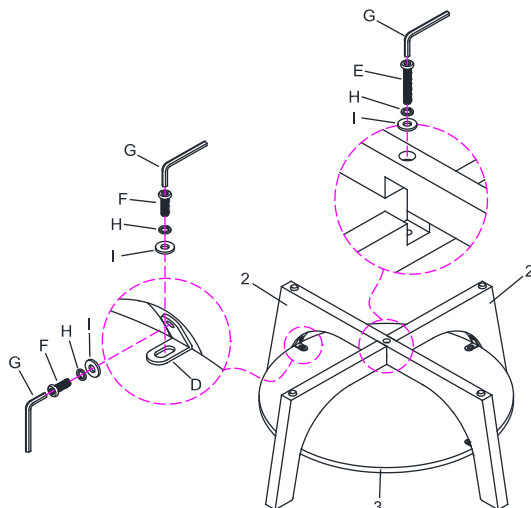
STEP 1



STEP 3



STEP 2



STEP 4

