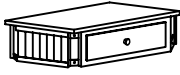
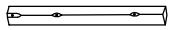







# ASSEMBLY INSTRUCTIONS

ITEM NO : T274-04

End Table

Thank you for purchasing this quality product. Place all wooden parts on a clean and smooth surface such as a rug or carpet to avoid the parts from being scratched. Be sure to check all packing materials carefully for small parts may have come loose inside the carton during shipment, clarify and count all parts and compare with the parts list below. Do not tighten all screws / bolts until all completely assembled.

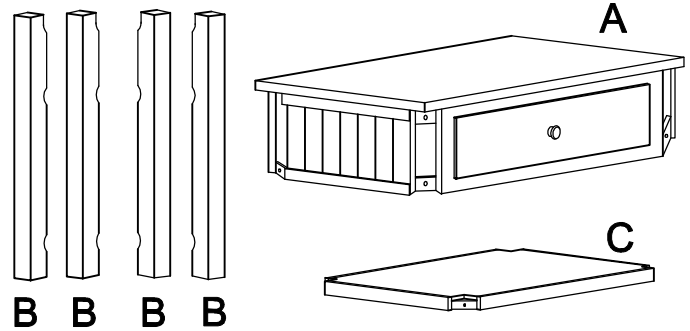
PARTS LIST		
NO.	COMPONENT	QTY.
A	Table Top With Drawer Box 	1 PC
B	Table Leg 	4 PCS
C	Shelf Panel 	1 PC

HARDWARE LIST		
NO.	COMPONENT	QTY.
1	JCBC Bolt M6 x 60mm 	12 PCS
2	1/4" Spring Washer 	12 PCS
3	1/4" Flat Washer 	12 PCS
4	Allen Key M4 x 65mm 	1 PC

These parts are cumbersome and heavy. Therefore, two people are recommended in order to prevent personal injury and insure the parts are not damaged during the assembly.

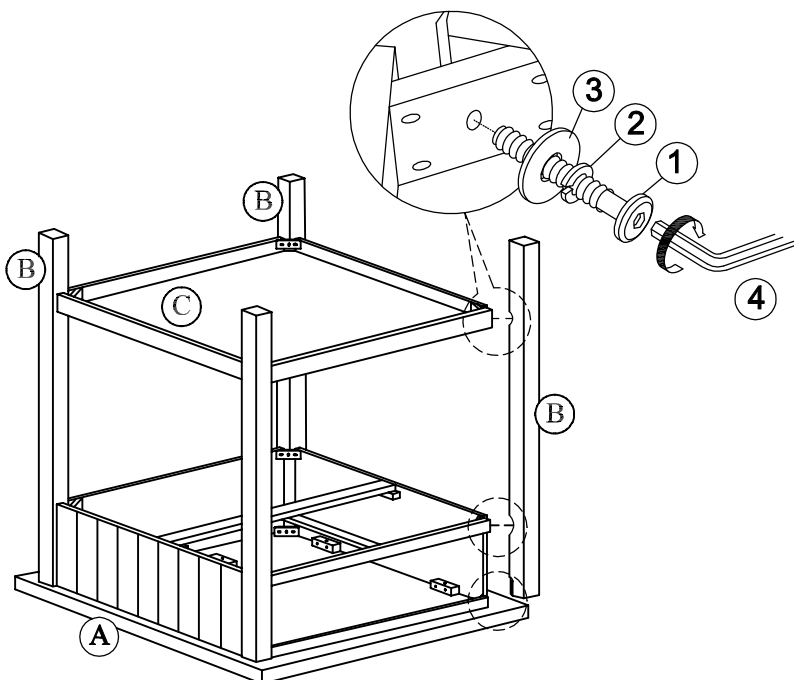
### Important Notes

- \* Keep all hardware parts out of reach of children !
- \* Tighten screws periodically ! With the use of this product bolts and screws may become loose over time
- \* Don't attempt to modify parts !



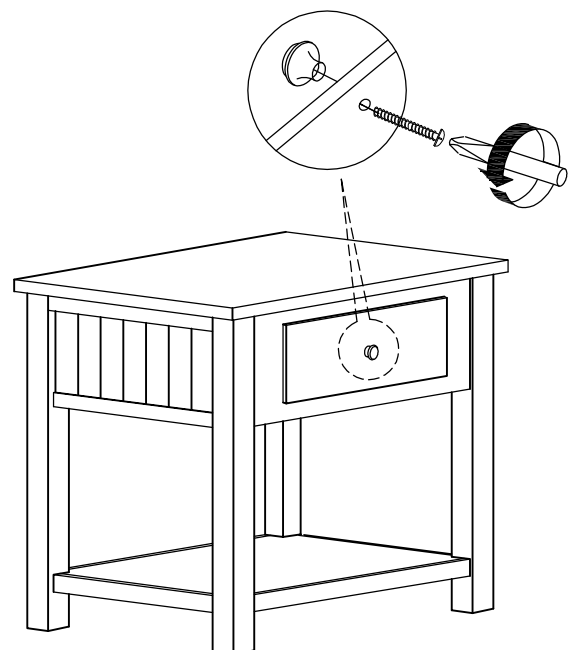
### STEP 1

Remove drawer: Pull the drawer out all the way until it stops, then push the drawer back in about 2", then pull the drawer out swiftly and it will slide over the stop"



### STEP 2

Push in the drawer



Cleaning instruction : Clean using soft cloth

Made In Malaysia