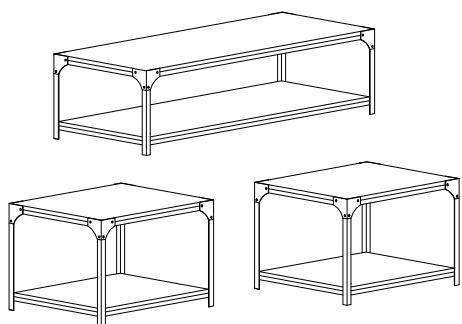


ASSEMBLY INSTRUCTION

Item No: T241-95


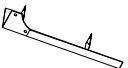

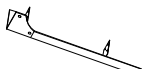
Description: 3 PACK (COCKTAIL & 2 ENDS)







IMPORTANT NOTE :

- Place all wooden parts on a clean and smooth surface such as a rug or carpet to avoid the parts from being scratched.
- Check to be sure that you have all parts and hardware.
- Remove all wrapping materials , including staples & packing straps before you start to assemble.
- Do not tighten all screws/bolts until all completely assembled.
- Keep all hardware parts out of reach of children !
- Tighten screws periodically ! With the use of this product bolts and screw may become loose over time !
- Don't attempt to modify parts !

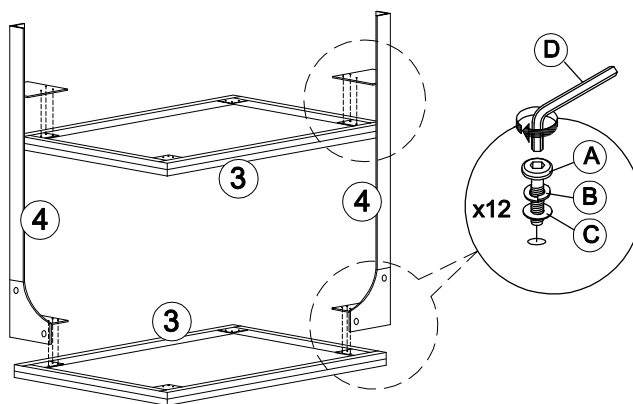
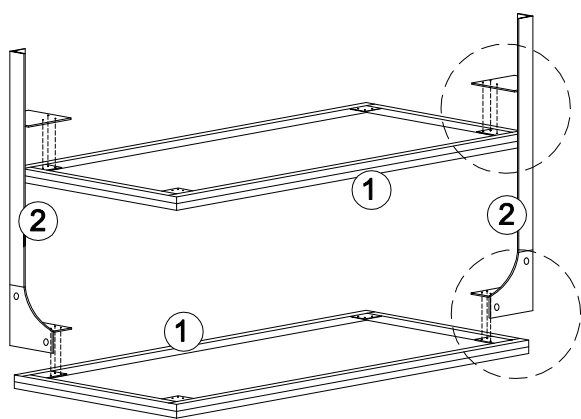
PARTS LIST

| NO. | COMPONENT | QTY. |
|-----|--|-------|
| 1 | COFFEE TABLE FRAME  | 2 PCS |
| 2 | COFFEE TABLE LEG  | 4 PCS |
| 3 | END TABLE FRAME  | 4 PCS |
| 4 | END TABLE LEG  | 8 PCS |

HARDWARE LIST

| NO. | COMPONENT | QTY. |
|-----|---|--------|
| A | JCBC BOLT M6 x 15MM  | 72 PCS |
| B | 1/4" SPRING WASHER  | 72 PCS |
| C | 1/4" FLAT WASHER  | 72 PCS |
| D | ALLEN KEY  | 1 PC |

STEP 1



STEP 2

