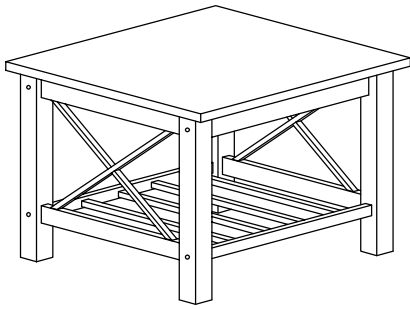


ASSEMBLY INSTRUCTION





Item No: T239 - 95


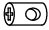
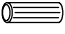
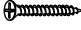

Description: 3 PACK (COCKTAIL & 2 END)



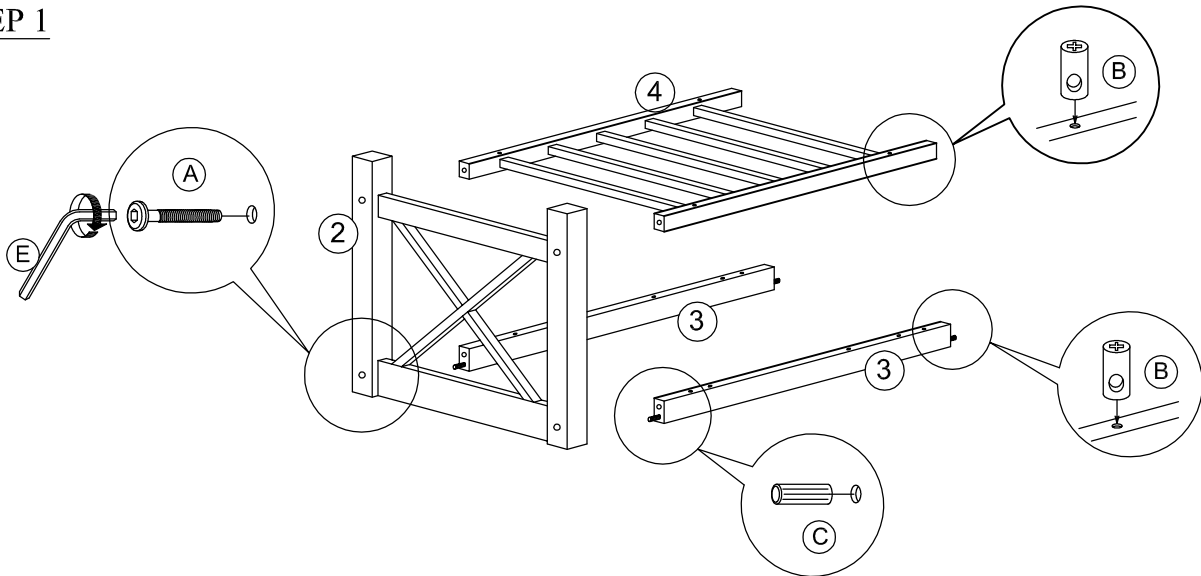
IMPORTANT NOTE :

- .Place all wooden parts on a clean and smooth surface such as a rug or carpet to avoid the parts from being scratched.
- .Check to be sure that you have all parts and hardware.
- .Remove all wrapping materials, including staples & packing straps before you start to assemble.
- .Do not tighten all screws/bolts until all completely assembled.
- .Keep all hardware parts out of reach of children.

| PARTS LIST | | |
|------------|---|-------|
| NO. | COMPONENT | QTY. |
| 1 | TABLE TOP  | 2 PCS |
| 2 | TABLE LEG SIDE ASSEMBLE  | 4 PCS |
| 3 | UPPER RAIL  | 4 PCS |
| 4 | BOTTOM PANEL  | 2 PCS |

| HARDWARE LIST | | |
|---------------|---|--------|
| NO. | COMPONENT | QTY. |
| A | JCBC BOLT M6 x 90MM  | 16 PCS |
| B | BARREL NUT  | 16 PCS |
| C | WOOD DOWEL M10 x 40MM  | 8 PCS |
| D | CB SCREW M4 x 30MM  | 16 PCS |
| E | ALLEN KEY  | 1 PC |

STEP 1



STEP 2

