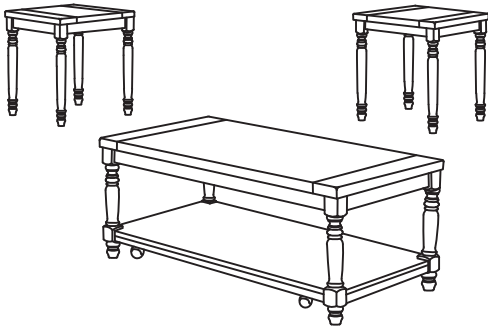


Progressive® ASSEMBLY INSTRUCTION

furniture






Item No: T236-95






Description: 3 PACK (COCKTAIL & 2 END TABLES)



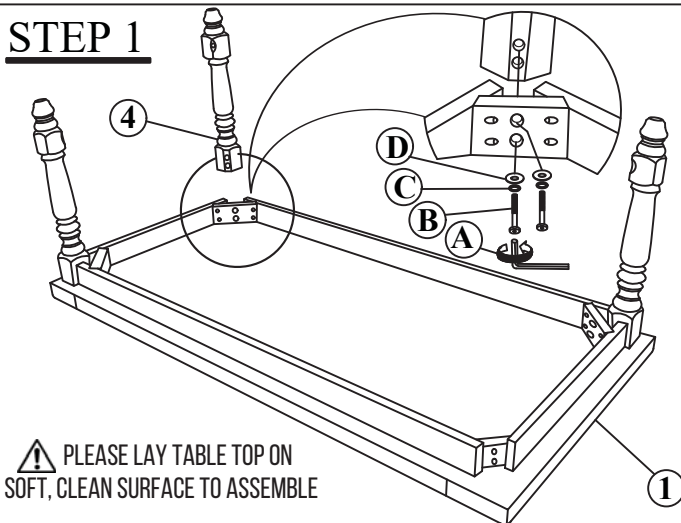
IMPORTANT NOTE :

- Place all wooden parts on a clean and smooth surface such as a rug or carpet to avoid the parts from being scratched.
- Check to be sure that you have all parts and hardware.
- Remove all wrapping materials, including staples & packing straps before you start to assemble.
- Do not tighten all screws/bolts until all completely assembled.
- Keep all hardware parts out of reach of children.

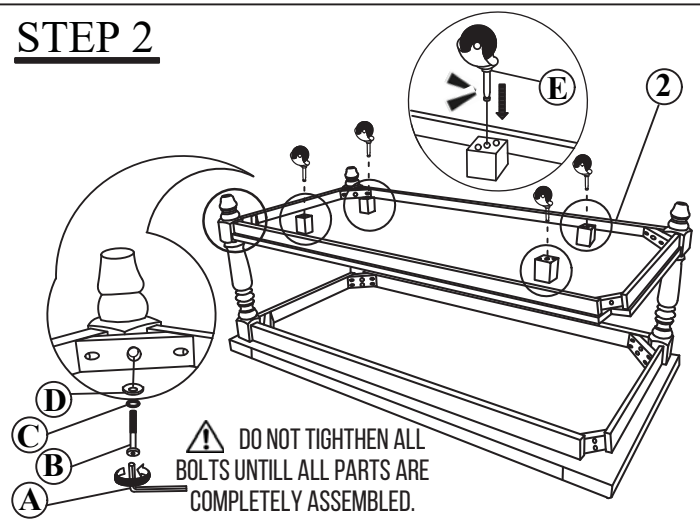
PARTS LIST		
NO.	COMPONENT	QTY.
1	COCKTAIL TABLE TOP 	1 PCS
2	BOTTOM SHELF 	1 PCS
3	END TABLE TOP 	2 PCS
4	COCKTAIL TABLE LEG 	4 PCS
5	END TABLE LEG 	8 PCS

HARDWARE LIST		
NO.	DESCRIPTION	QTY.
A	M4 x 60MM ALLEN KEY 	1 PCS
B	M6 x 60MM JCBC BOLT 	28 PCS
C	M6 x 13MM SPRING WASHER 	28 PCS
D	M6 x 19MM FLAT WASHER 	28 PCS
E	CASTER WHEEL 	4 PCS

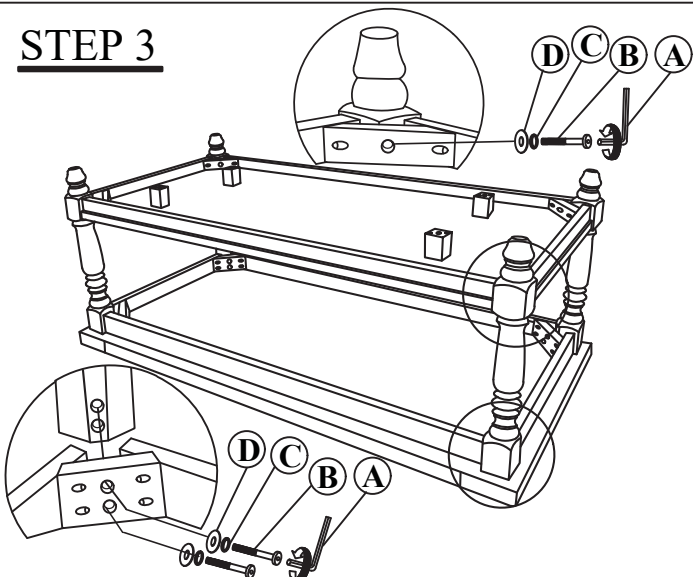
STEP 1



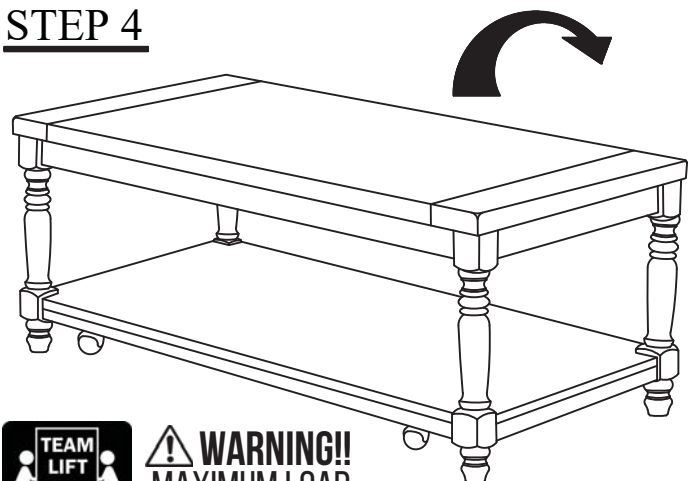
STEP 2



STEP 3

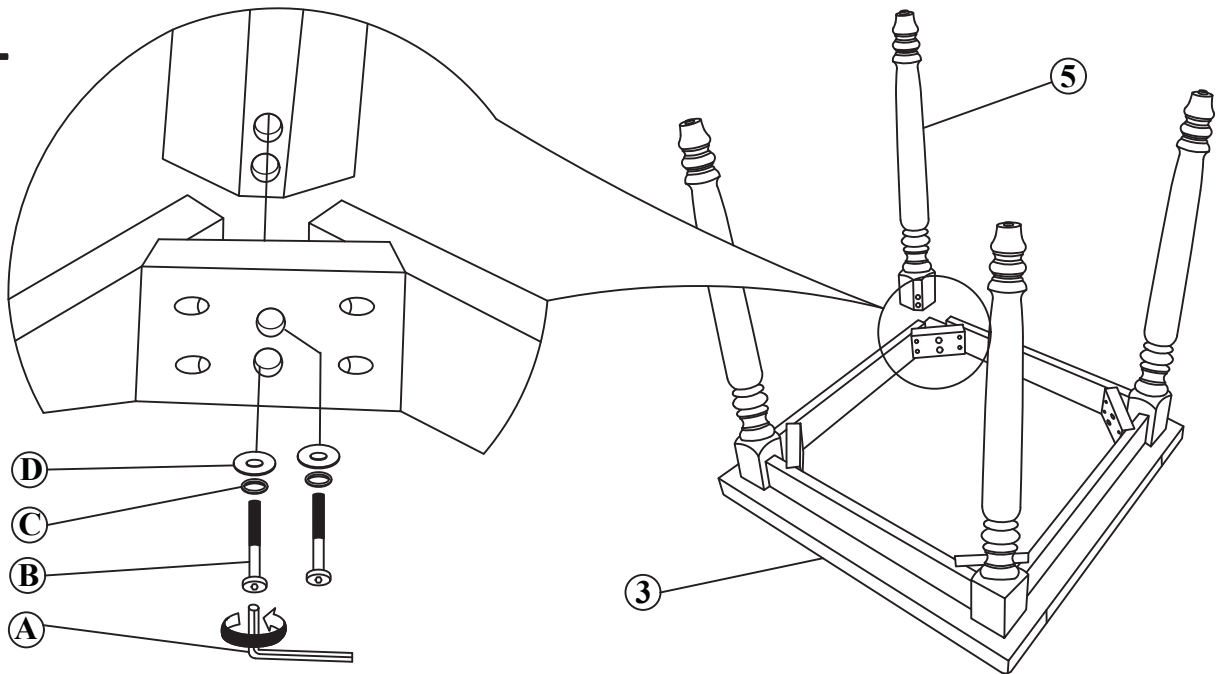


STEP 4

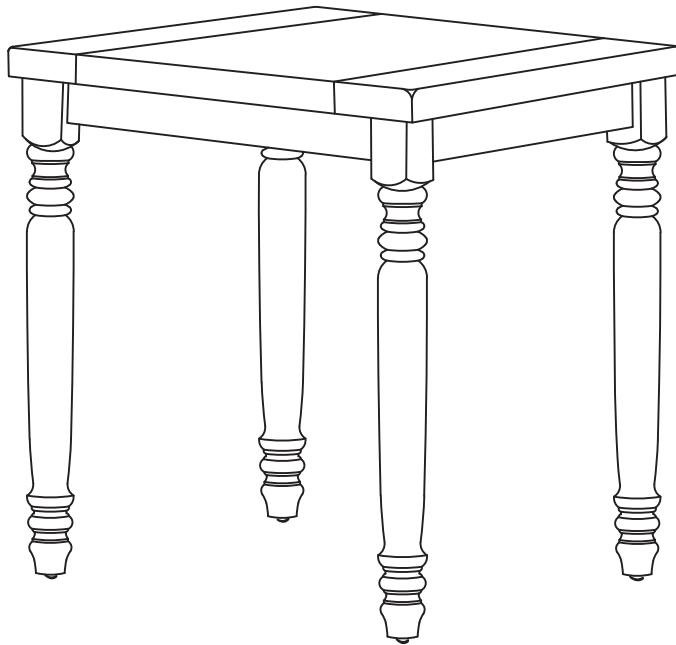


WARNING!!
MAXIMUM LOAD
WEIGHT 50 LBS

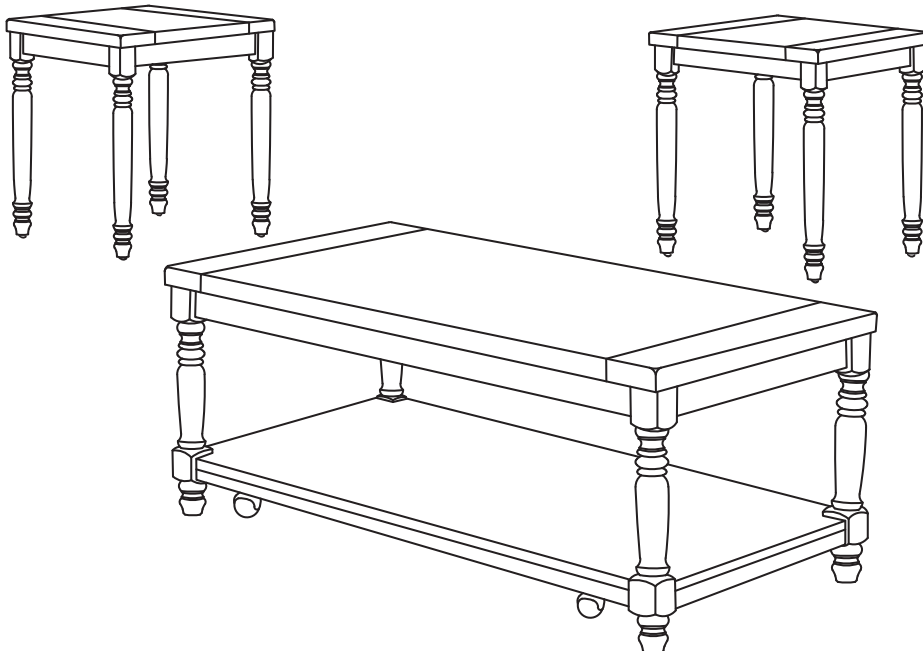
STEP 5



STEP 6



STEP 7



WARNING!!
MAXIMUM LOAD
WEIGHT 50 LBS