







IMPORTANT NOTE:

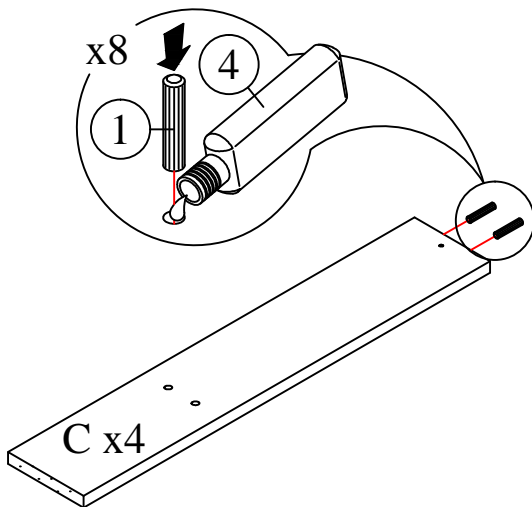
- Place all wooden parts on a clean and smooth surface such as a rug or carpet to avoid the parts from being scratched.
- Check to be sure that you have all parts and hardware.
- Remove all wrapping materials, including staples & packing straps before you start to assemble.
- Do not tighten all screws/bolts until all completely assembled.
- Keep all hardware parts out of reach of children.

Each Item

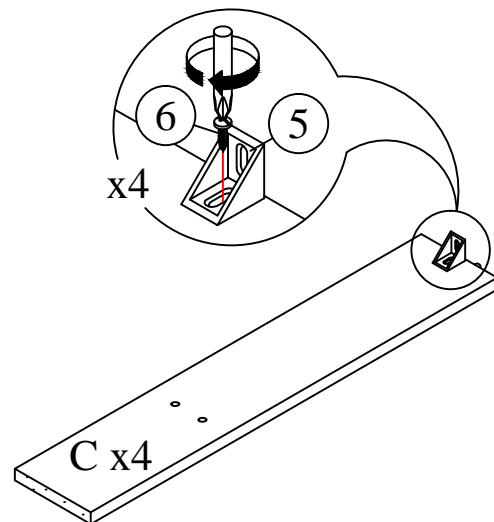
PARTS LIST		
NO	COMPONENT	QTY
A	TOP PANEL	1 PC
B	SHELF PANEL	1 PC
C	LEG PANEL	4 PCS

HARDWARE LIST		
NO	DESCRIPTION	QTY
1	WOODEN DOWEL M6 x 30MM 	8 PCS
2	CHIPBOARD SCREW M4 x 45MM 	8 PCS
3	GLIDE 	8 PCS
4	GLUE 	1 PC
5	L BRACKET 	4 PCS
6	PH TAPPING SCREW #8 x 1/2" 	8 PCS

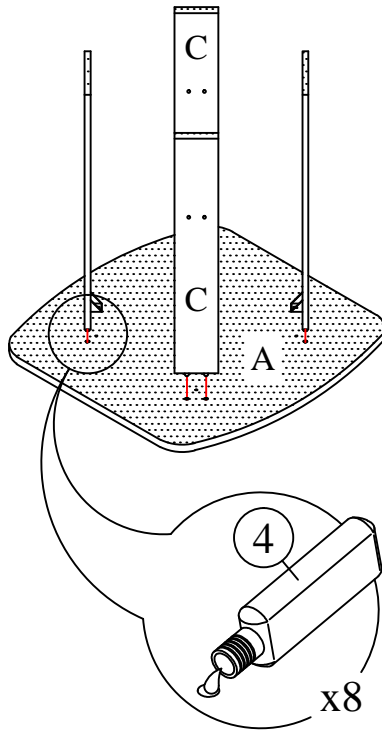
STEP 1



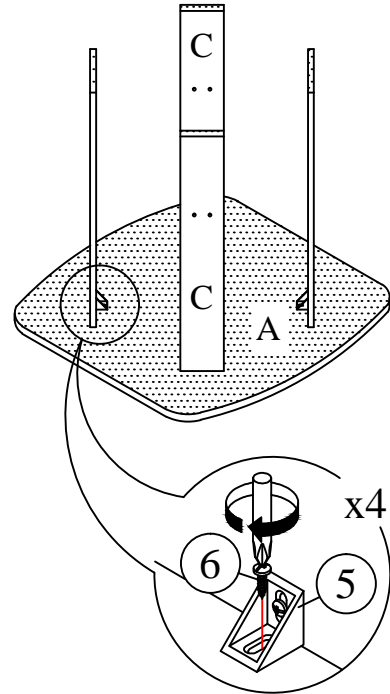
STEP 2



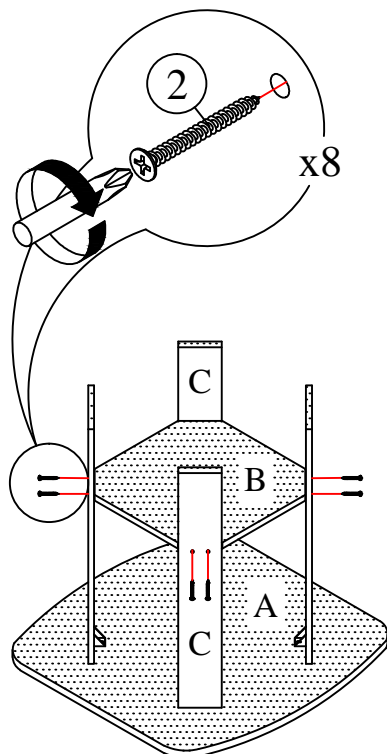
STEP 3



STEP 4



STEP 5



STEP 6

