

IMPORTANT NOTE:

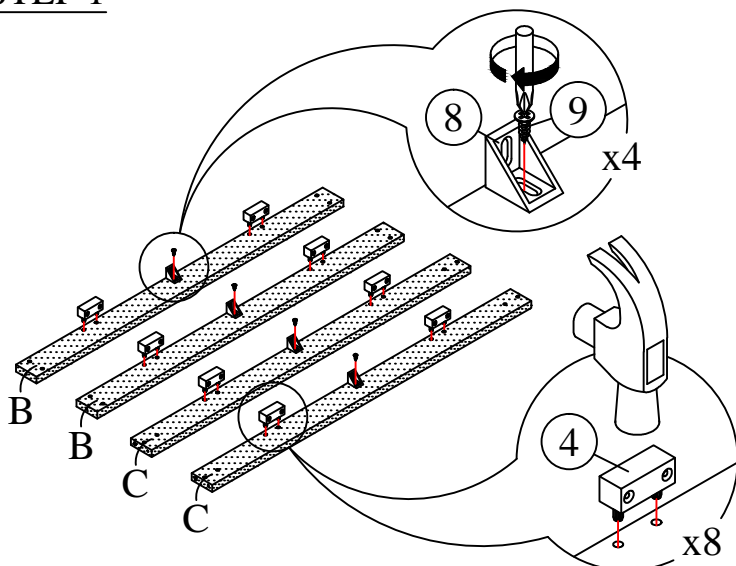
- Place all wooden parts on a clean and smooth surface such as a rug or carpet to avoid the parts from being scratched.
- Check to be sure that you have all parts and hardware.
- Remove all wrapping materials, including staples & packing straps before you start to assemble.
- Do not tighten all screws/bolts until all completely assembled.
- Keep all hardware parts out of reach of children.

Each Item

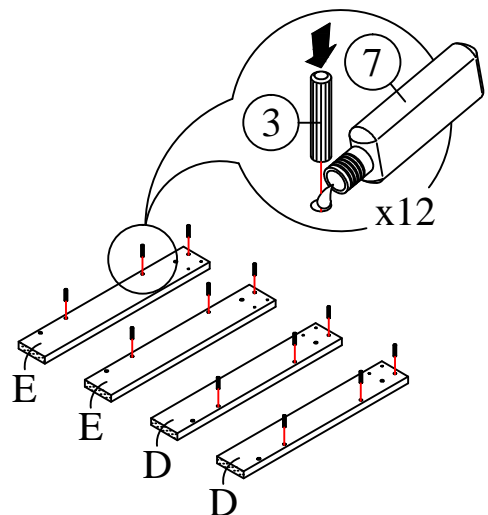
PARTS LIST		
NO	COMPONENT	QTY
A	TOP PANEL	1 PC
B	FRONT & BACK SUPPORT PANEL	2 PCS
C	SIDE SUPPORT PANEL	2 PCS
D	LEFT LEG PANEL	2 PCS
E	RIGHT LEG PANEL	2 PCS
F	LEFT LEG SUPPORT PANEL	2 PCS
G	RIGHT LEG SUPPORT PANEL	2 PCS

HARDWARE LIST		
NO	DESCRIPTION	QTY
1	CHIPBOARD SCREW M4 x 45MM	12 PCS
2	PH TAPPING SCREW #8 x 1"	12 PCS
3	WOODEN DOWEL M6 x 30MM	12 PCS
4	BRACKET	8 PCS
5	CSK SCREW #8 x 1"	16 PCS
6	STICKER	8 PCS
7	WHITE GLUE	1 PC
8	L-BRACKET	4 PCS
9	CHIPBOARD SCREW M3.5 x 12MM	8 PCS
10	GLIDE	8 PCS

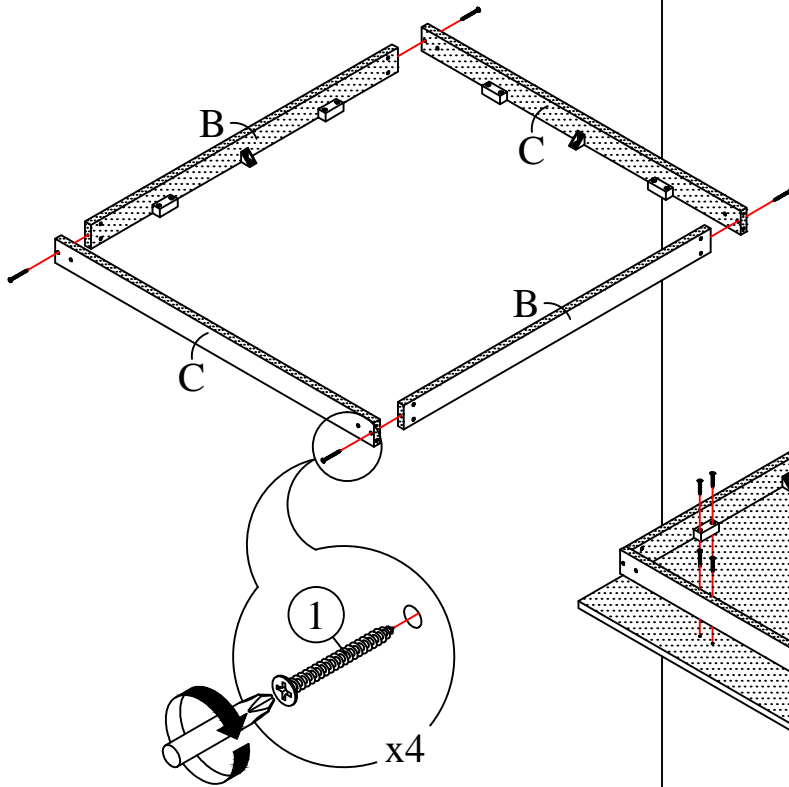
STEP 1



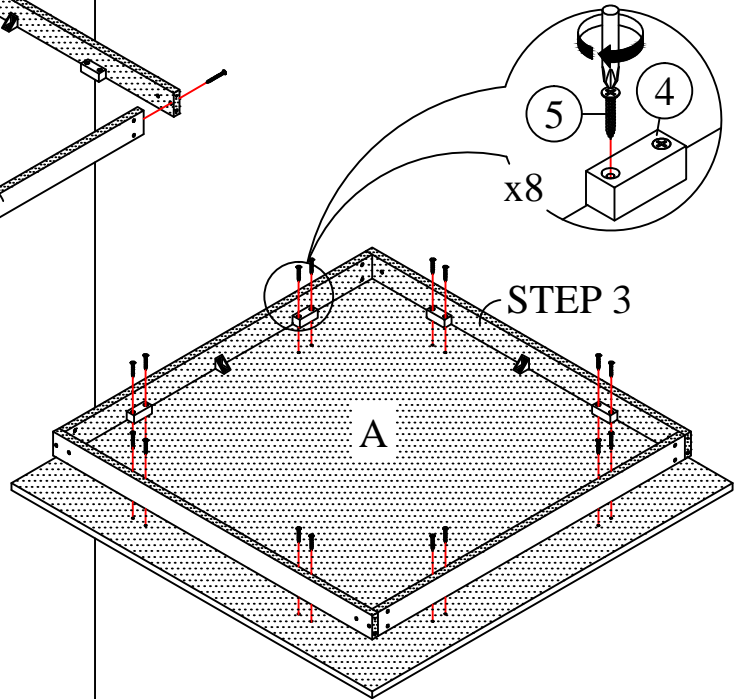
STEP 2



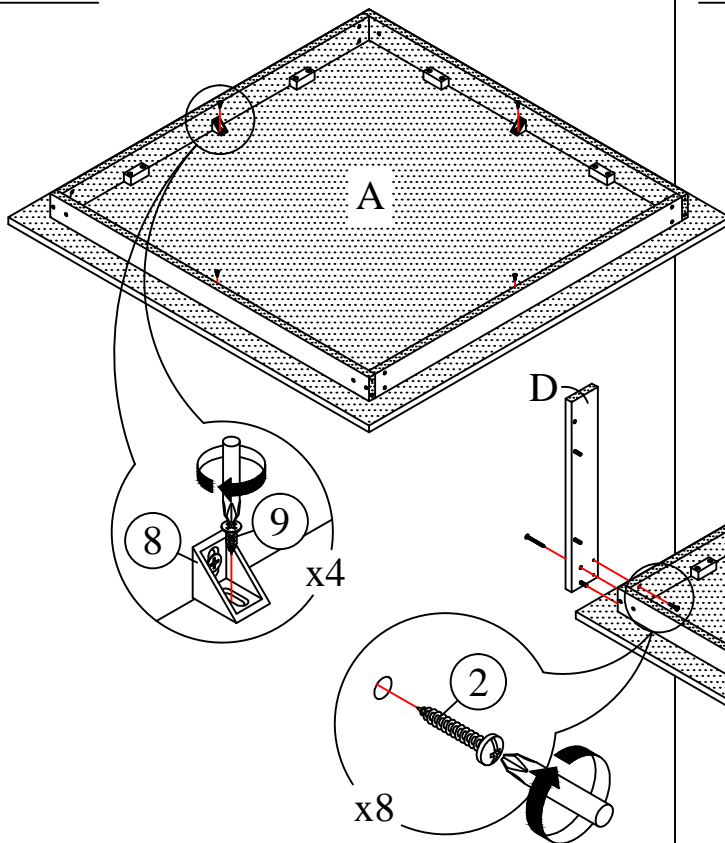
STEP 3



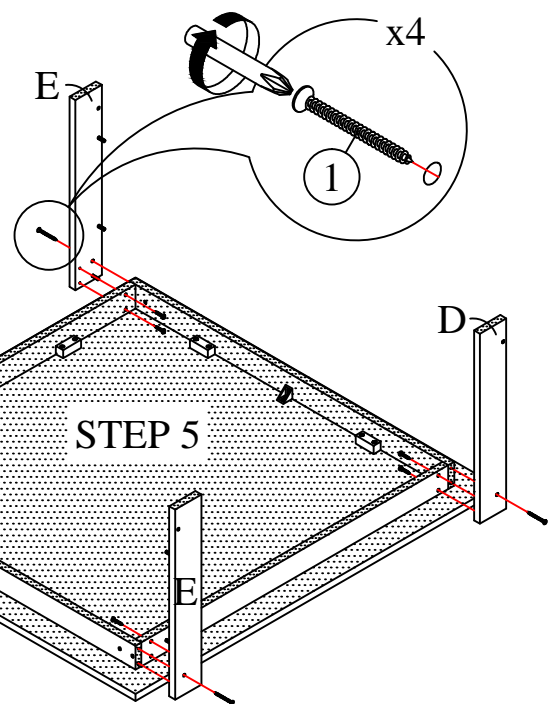
STEP 4



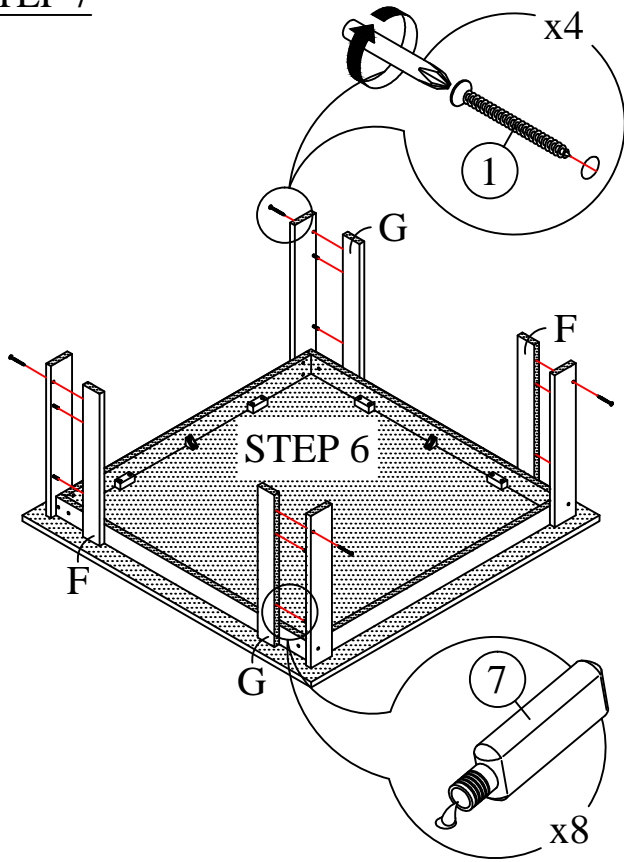
STEP 5



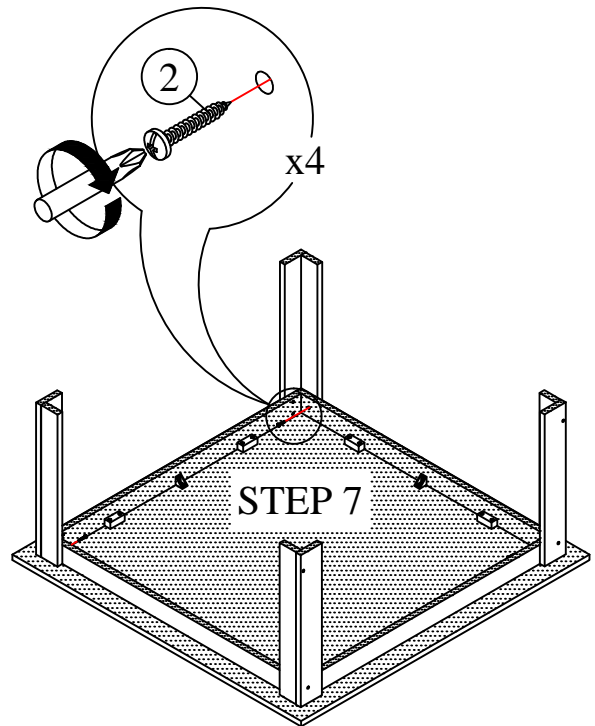
STEP 6



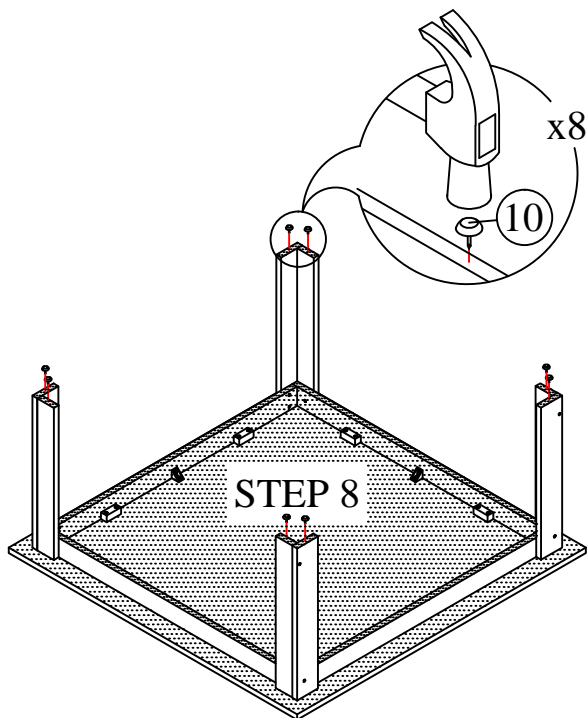
STEP 7



STEP 8



STEP 9



STEP 10

