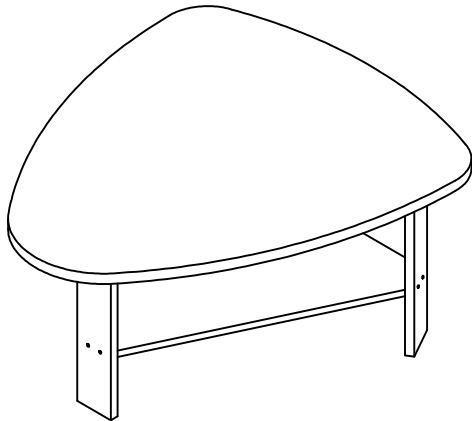


GEOHOME[®]
ART WITH AN ATTITUDE

ASSEMBLY INSTRUCTION

Item No: T177-41

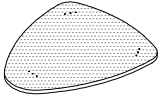
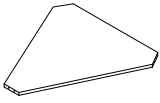
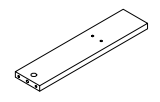
Description: ROUND COCKTAIL TABLE









IMPORTANT NOTE:

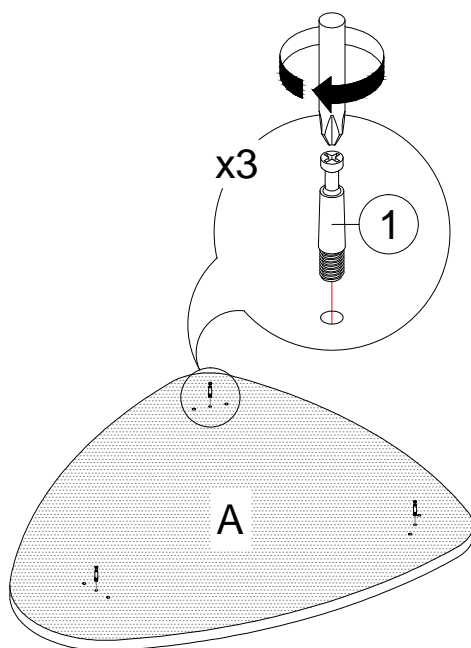
- Place all wooden parts on a clean and smooth surface such as a rug or carpet to avoid the parts from being scratched.
- Check to be sure that you have all parts and hardware.
- Remove all wrapping materials, including staples & packing straps before you start to assemble.
- Do not tighten all screws/bolts until all completely assembled.
- Keep all hardware parts out of reach of children.

Each Item

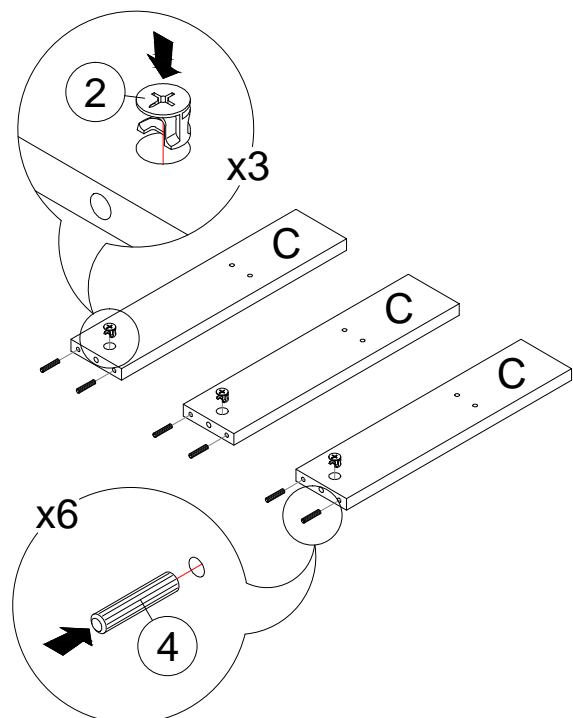
PARTS LIST		
NO	COMPONENT	QTY
A	TOP PANEL 	1 PC
B	SHELF PANEL 	1 PC
C	LEG PANEL 	3 PCS

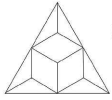
HARDWARE LIST		
NO	DESCRIPTION	QTY
1	CAM-BOLT 	3 PCS
2	CAM-LOCK 	3 PCS
3	CHIPBOARD SCREW M4 x 45MM 	6 PCS
4	WOODEN DOWEL M6 x 30MM 	6 PCS
5	GLIDE 	6 PCS
6	STICKER 	6 PCS

STEP 1



STEP 2





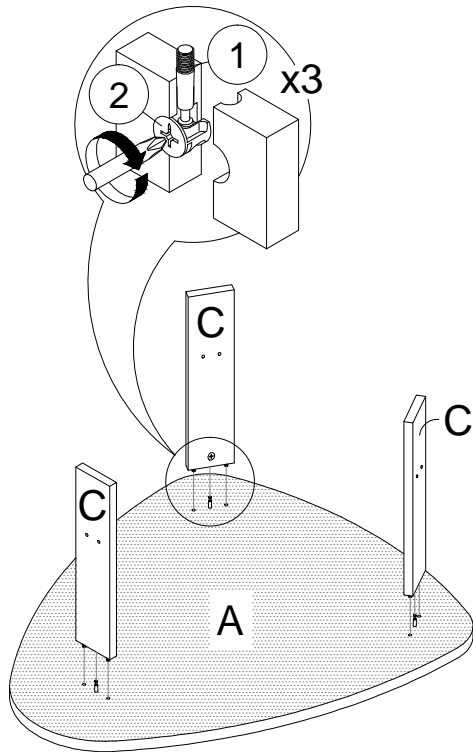
GEOHOME[®]
ART WITH AN ATTITUDE

ASSEMBLY INSTRUCTION

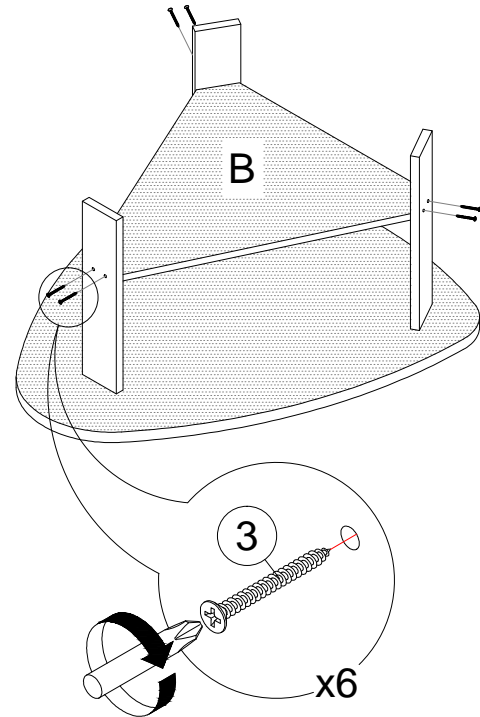
Item No: T177-41

Description: ROUND COCKTAIL TABLE

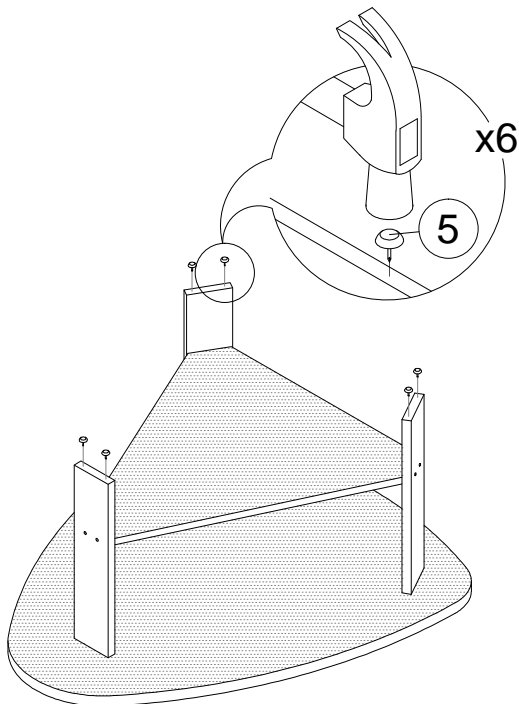
STEP 3



STEP 4



STEP 5



STEP 6

