

## IMPORTANT NOTE:

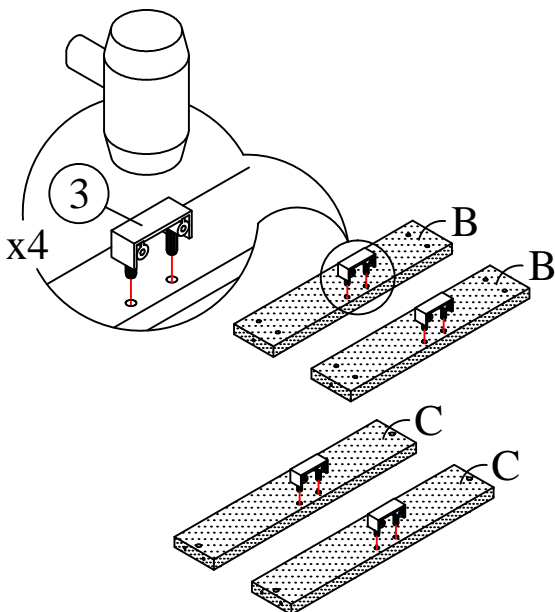
- Place all wooden parts on a clean and smooth surface such as a rug or carpet to avoid the parts from being scratched.
- Check to be sure that you have all parts and hardware.
- Remove all wrapping materials, including staples & packing straps before you start to assemble.
- Do not tighten all screws/bolts until all completely assembled.
- Keep all hardware parts out of reach of children.

Each Item

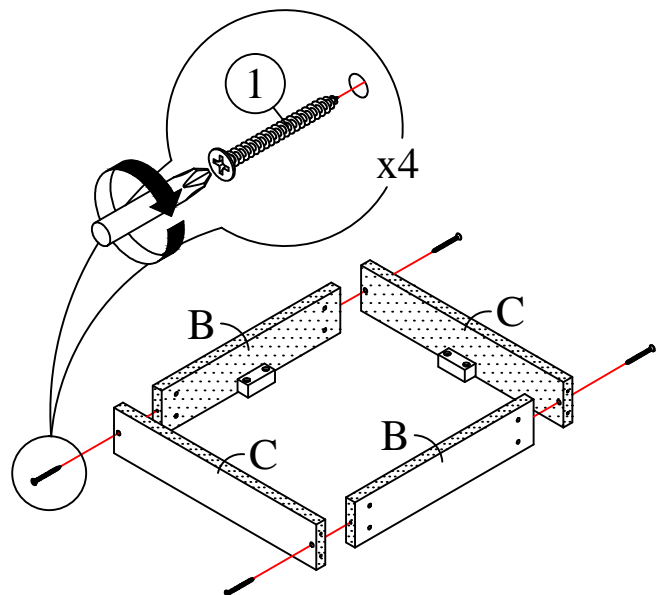
PARTS LIST		
NO	COMPONENT	QTY
A	TOP PANEL	1 PC
B	FRONT & BACK SUPPORT PANEL	2 PCS
C	SIDE SUPPORT PANEL	2 PCS
D	LEFT LEG PANEL	2 PCS
E	RIGHT LEG PANEL	2 PCS
F	LEG SUPPORT PANEL	2 PCS

HARDWARE LIST		
NO	DESCRIPTION	QTY
1	CHIPBOARD SCREW M4 x 45MM	20 PCS
2	PH TAPPING SCREW #8 x 1"	8 PCS
3	BRACKET	4 PCS
4	CSK SCREW #8 x 1"	8 PCS
5	GLIDE	4 PCS
6	STICKER	20 PCS

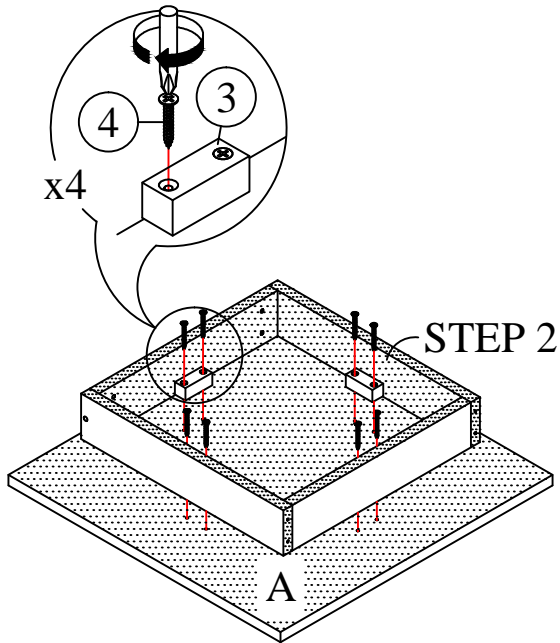
## STEP 1



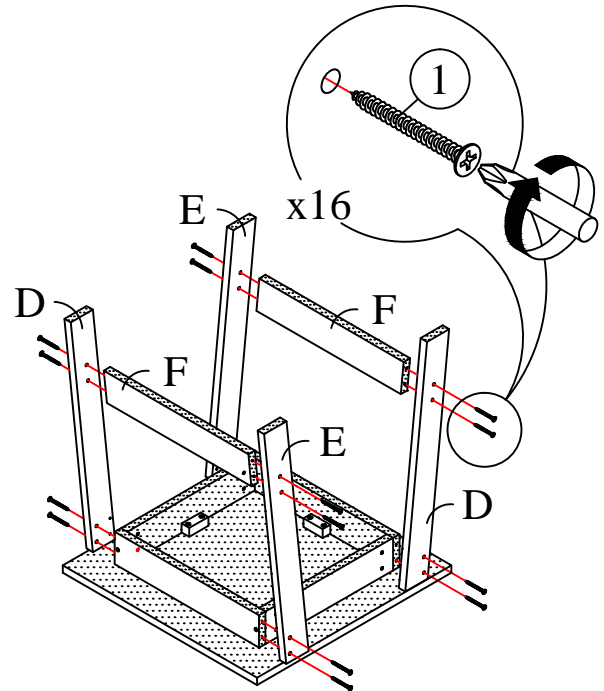
## STEP 2



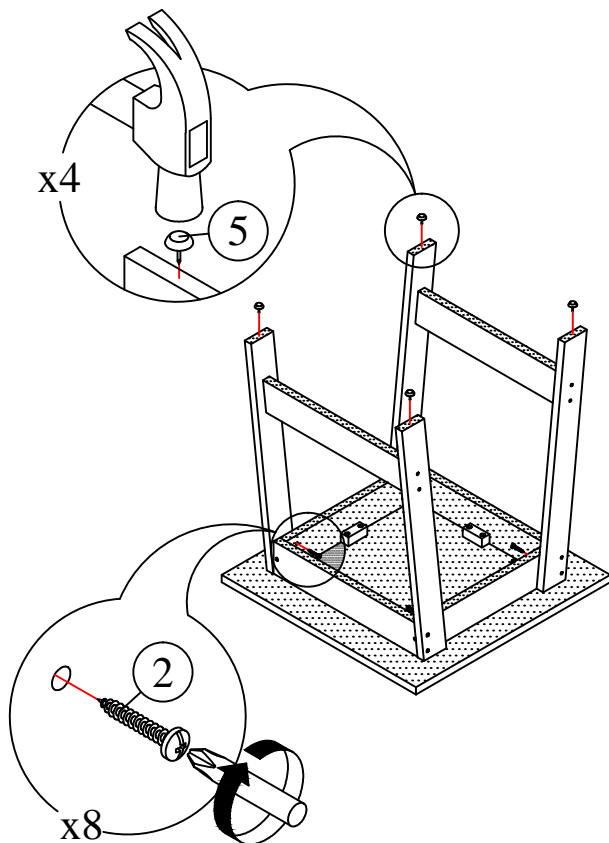
## STEP 3



## STEP 4



## STEP 5



## STEP 6

