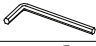
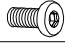
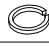

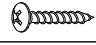



ASSEMBLY INSTRUCTIONS

ITEM NO.: T147-04
End Table

Thank you for purchasing this quality product. Place all wooden parts on a clean and smooth surface such as a rug or carpet to avoid the parts from being scratched. Be sure to check all packing materials carefully for small parts may have come loose inside the carton during shipment, clarify and count all parts and compare with the parts list below. Do not tighten all screws / bolts until all completely assembled.

Parts List		
No.	Description	Q.ty
A	Tray Top	1PC
B	Drawer Frame	1PC
C	Side Frame	2PCS
D	Upper Crossbar	2PCS
E	Lower Crossbar	2PCS
F	Bottom Panel	1PC

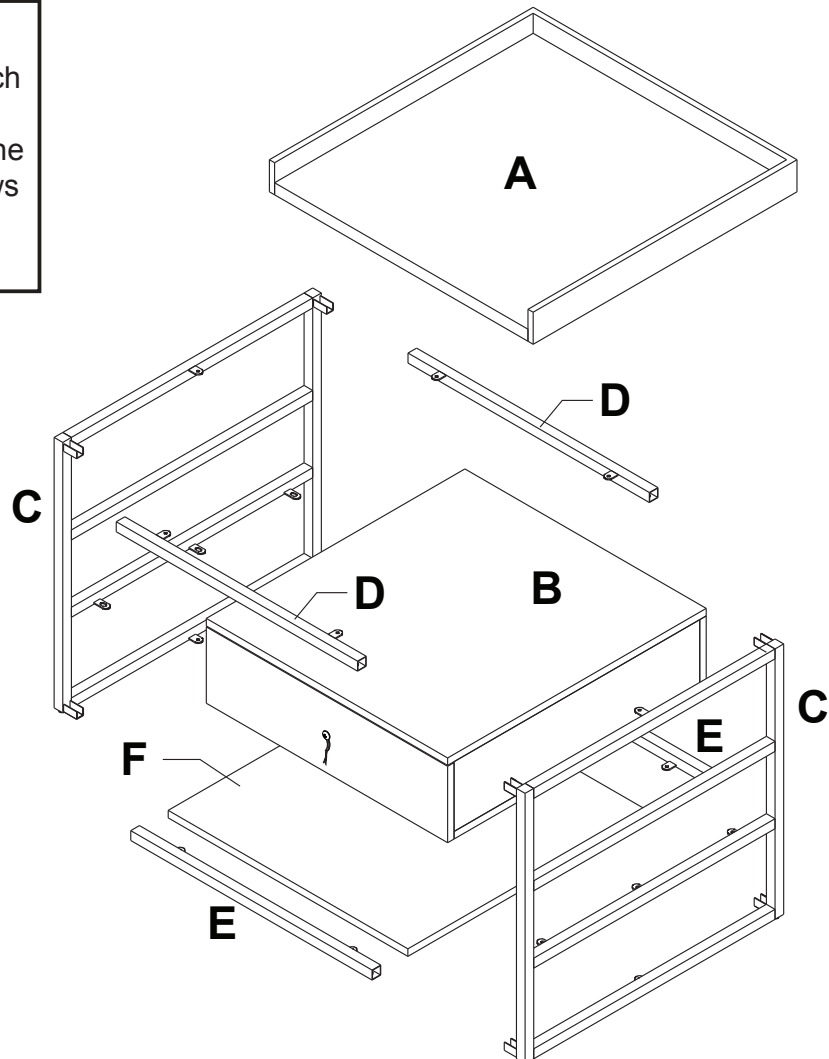
Hardware List				
No.	Description	Sketch	Size	Q.ty
1	Allen Key		M4	1pc
2	Allen Bolt		1/4" x 16mm	14pcs
3	Spring Washer		Ø12 x 1/4" x 1mm	14pcs
4	Flat Washer		Ø16 x 1/4" x 2mm	14pcs
5	Screws		#4 x 16mm	6pcs
6	Screws		#4 x 12mm	6pcs

NOTE : YOU WILL ALSO NEED A SCREWDRIVER (NOT PROVIDED)

These parts are cumbersome and heavy. Therefore, two people are recommended in order to prevent personal injury and insure the parts are not damaged during the assembly.

△ Important Notes

- *Keep all hardware parts out of reach of children!
- *Tighten screws periodically! With the use of this product bolts and screws may become loose over time!
- *Don't attempt to modify parts!

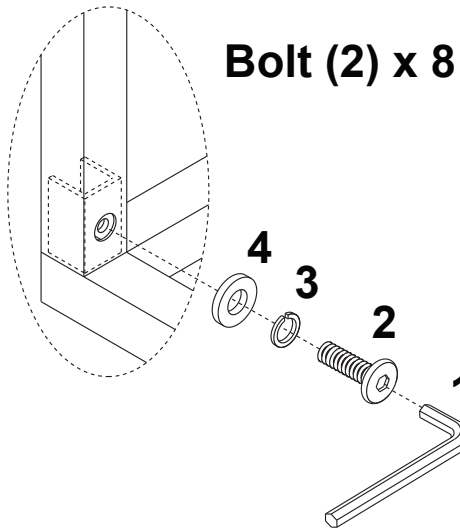


ASSEMBLY INSTRUCTIONS

ITEM NO.: T147-04
End Table

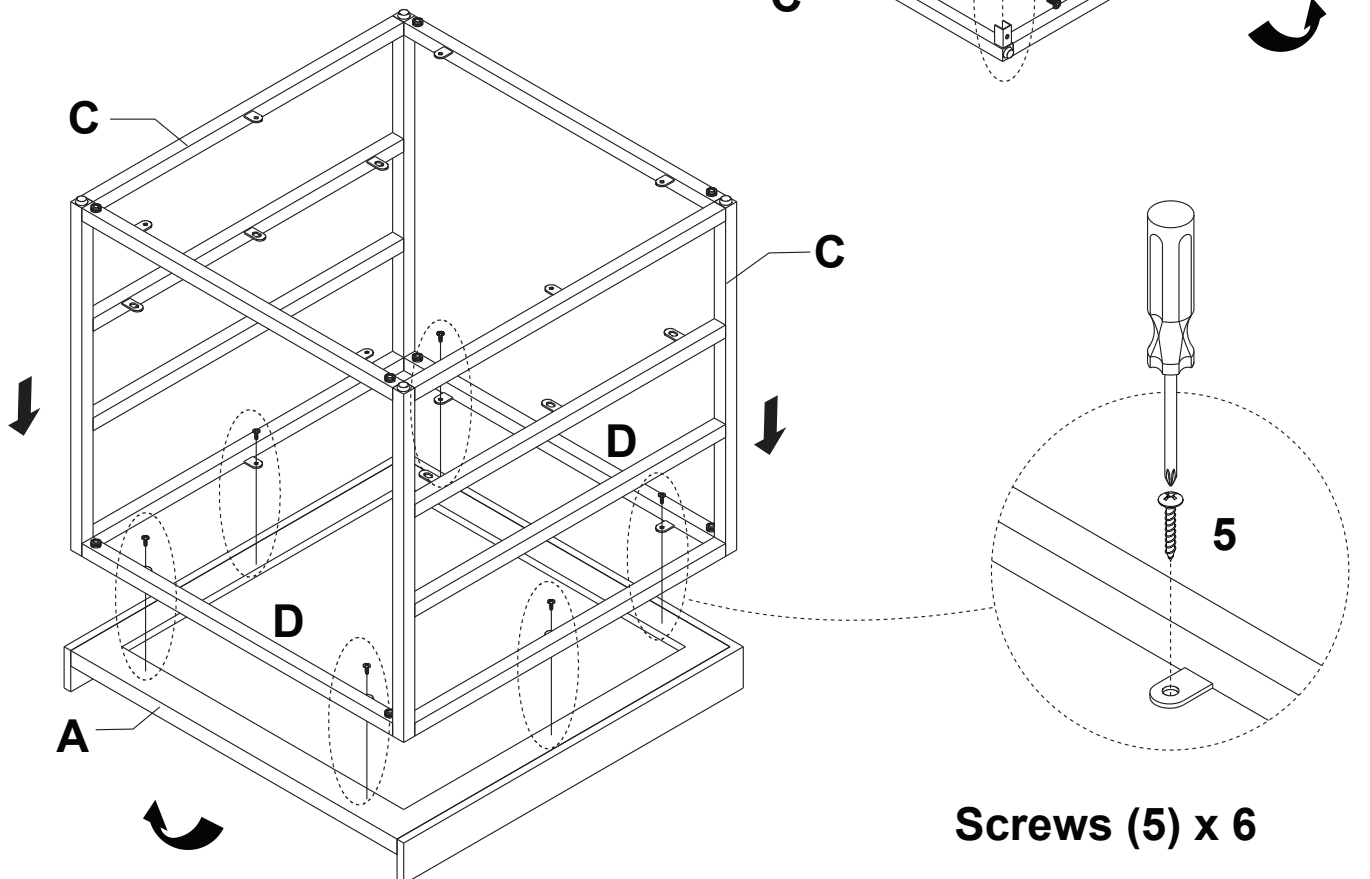
STEP 1:

Do not fully tighten the bolts until all parts have been assembled.



STEP 2:

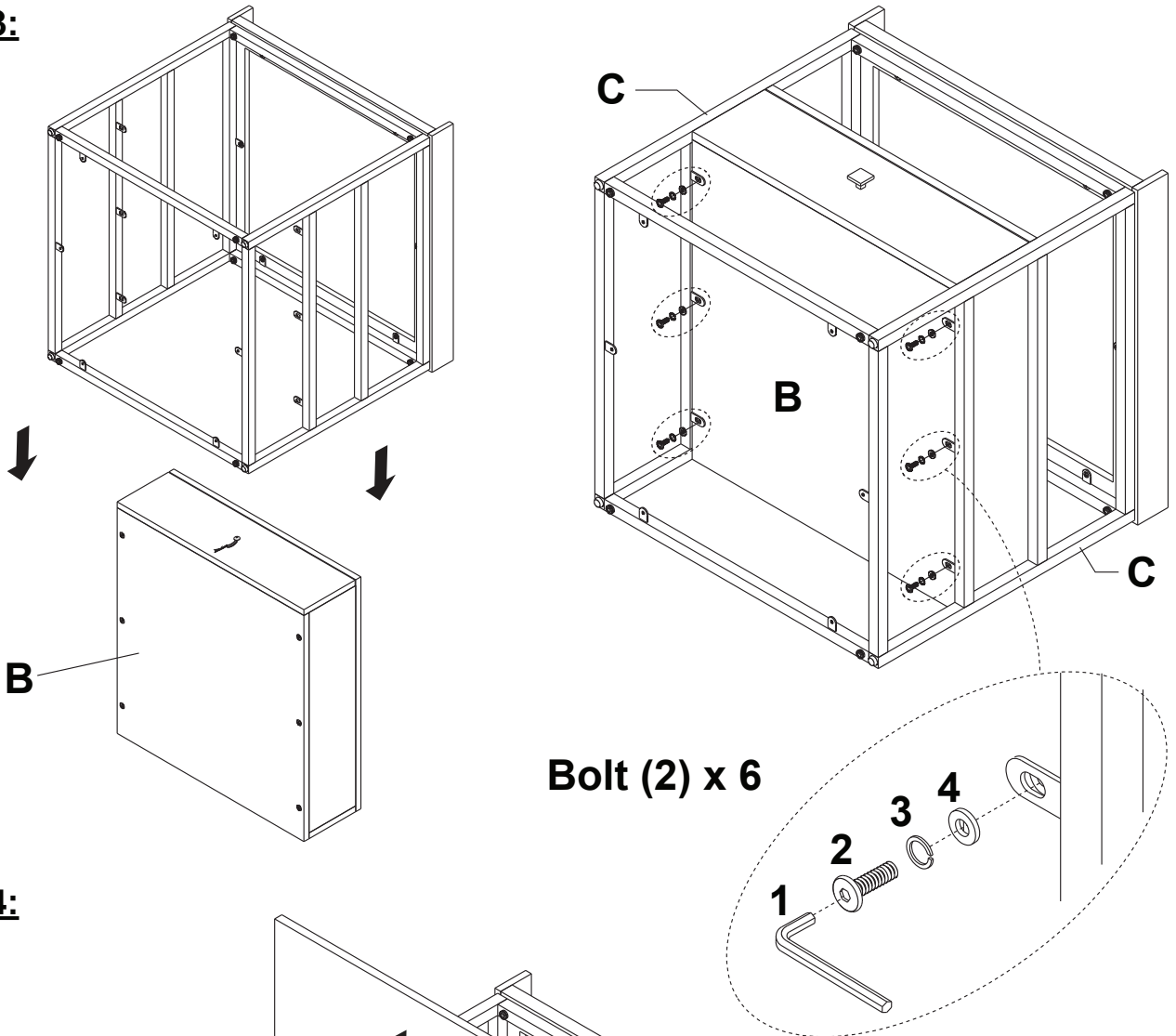
Installation top frame by screws.
Using the Allen key to tighten all bolts.



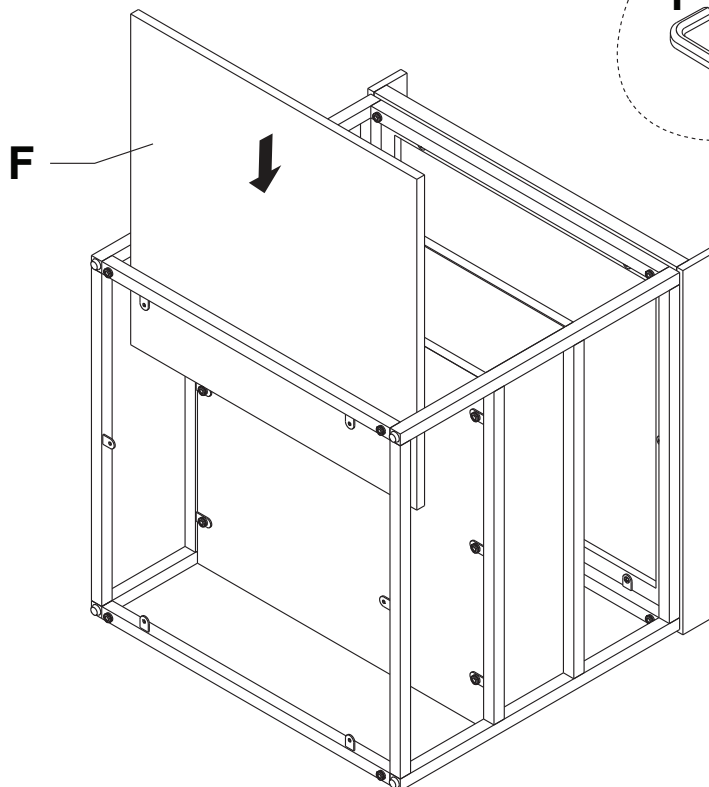
ASSEMBLY INSTRUCTIONS

ITEM NO.: T147-04
End Table

STEP 3:



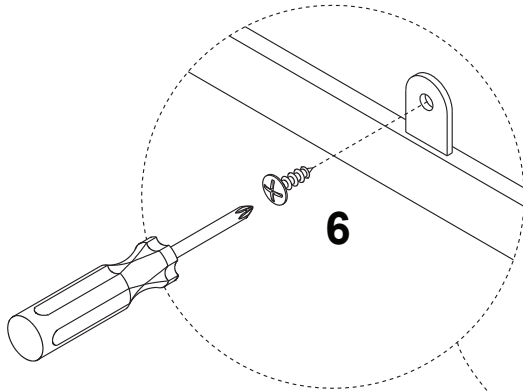
STEP 4:



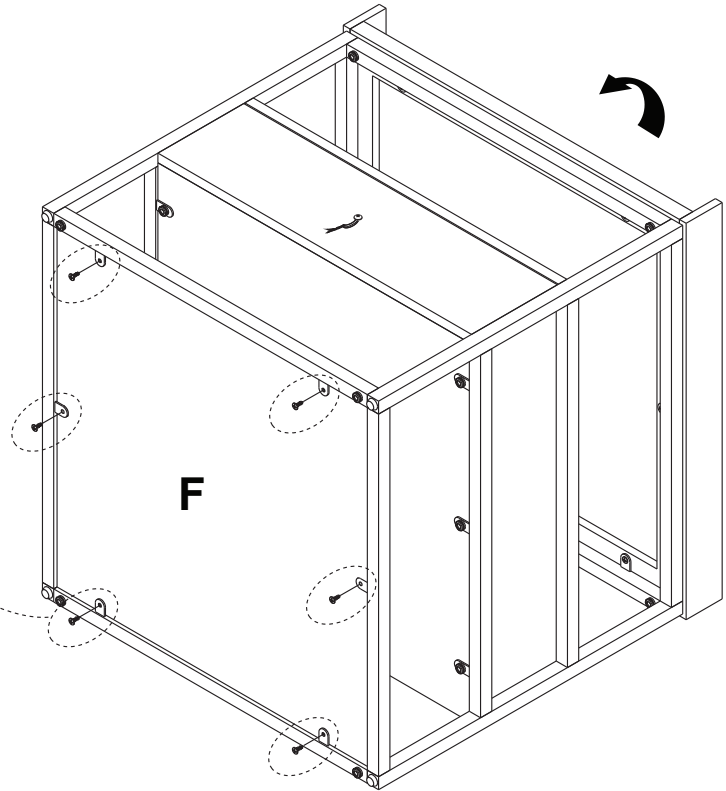
ASSEMBLY INSTRUCTIONS

ITEM NO.: T147-04
End Table

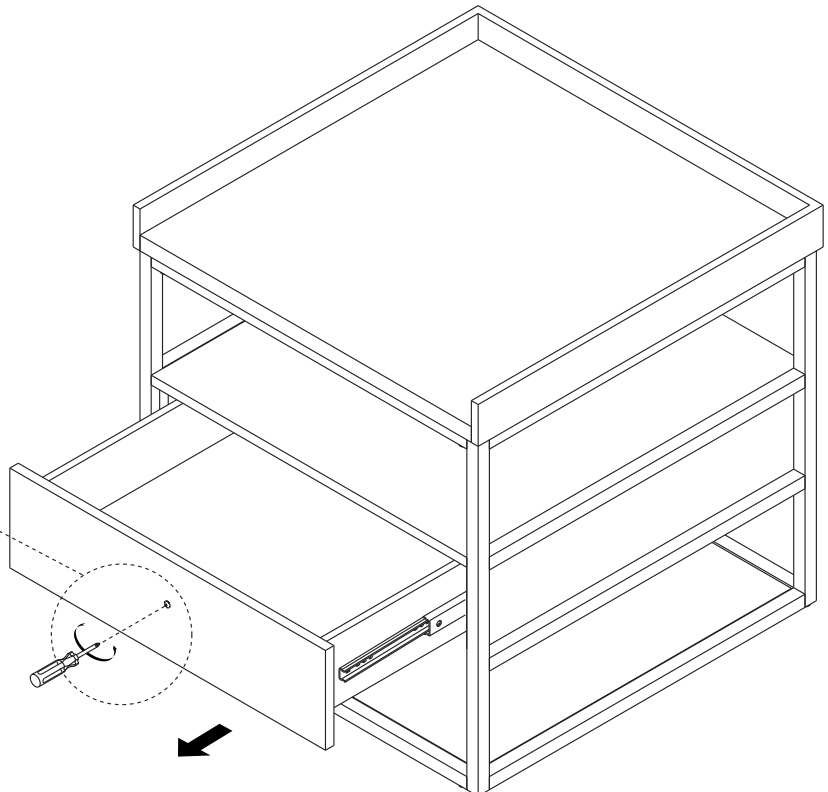
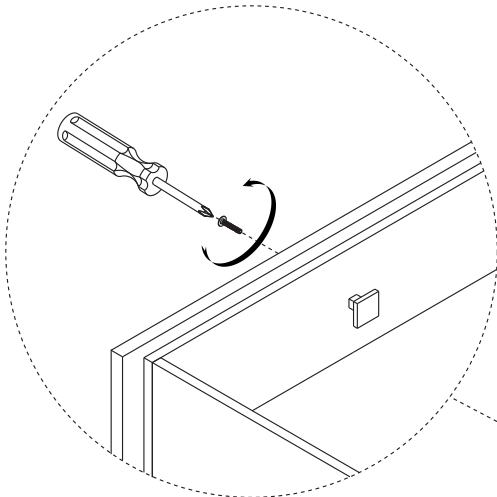
STEP 5:



Screws (6) x 6



STEP 6:



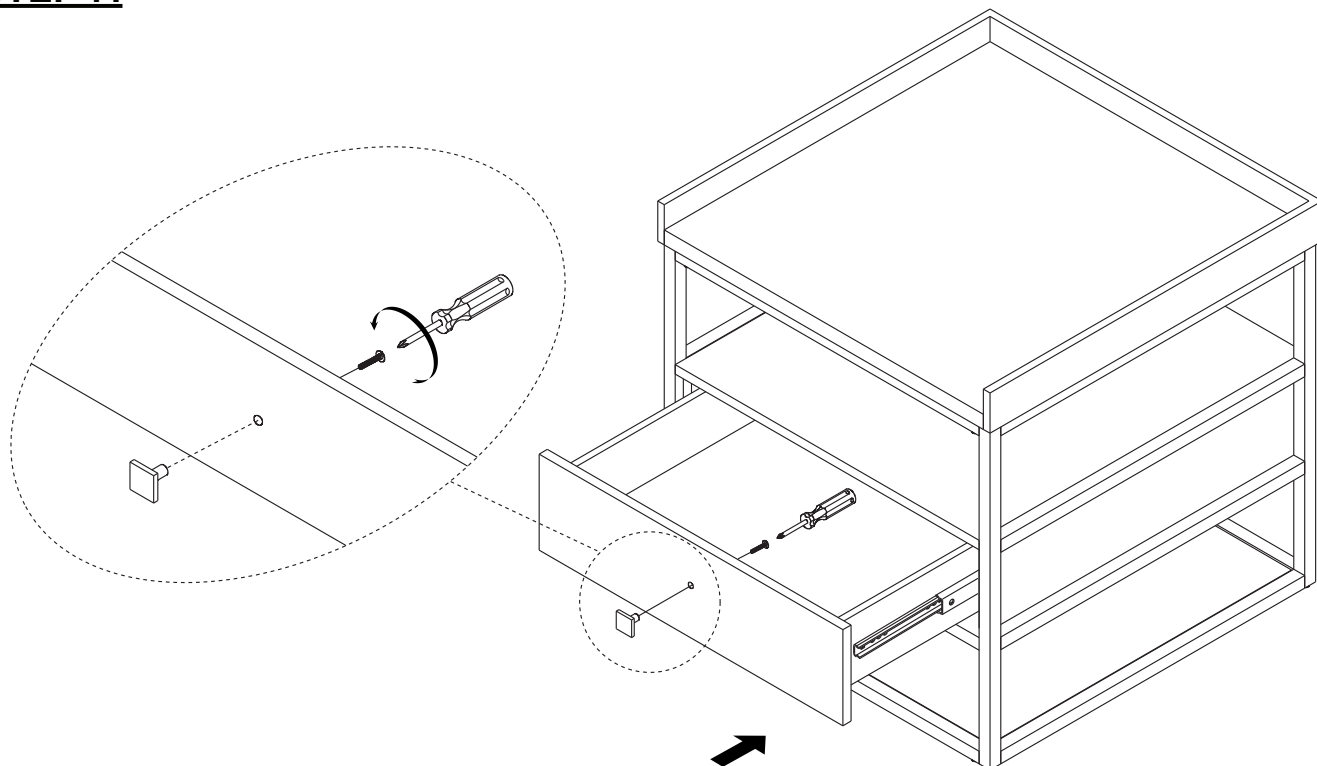
Cleaning instruction: Clean using soft cloth

Made in Vietnam

ASSEMBLY INSTRUCTIONS

ITEM NO.: T147-04
End Table

STEP 7:



STEP 8:

