







ASSEMBLY INSTRUCTIONS

T139-01 GLASS-TOP COCKTAIL TABLE

Thank you purchasing this quality product. Place all wooden parts on a clean and smooth surface such as a rug or carpet to avoid the parts from being scratched. Be sure to check all packing materials carefully for small parts may have come loose inside the carton during shipment, clarify and count all parts and compare with the parts list below. Do not tighten all screws/bolts until all completely assembled.

PARTS LIST		
NO.	DESCRIPTION	QTY
A	GLASS TOP	1PC
B	DRAWER	1PC
C	TOP FRAME	1PC
D	FRONT/BACK FRAME	2PCS
E	CONROD	2PCS

HARDWARE LIST				
NO.	DESCRIPTION	SKETCH	SIZE	QTY
1	ALLEN BOLT		1/4**5/8"	14PCS
2	FLAT WASHER		1/4**16mm	14PCS
3	LOCK WASHER		1/4"	22PCS
4	ALLEN WRENCH		4mm	1PC
5	MAP		Ø15mm	6PCS
6	ALLEN BOLT		1/4**5/8"	8PCS

These parts are cumbersome and heavy. Therefore, two people are recommended in order to prevent personal injury and insure the parts are not damaged during the assembly.

△ Important Notes

- *Keep all hardware parts out of reach of children!
- *Tighten screws periodically! With the use of this product bolts and screws may become loose over time!
- *Don't attempt to modify parts.

Diagram 1

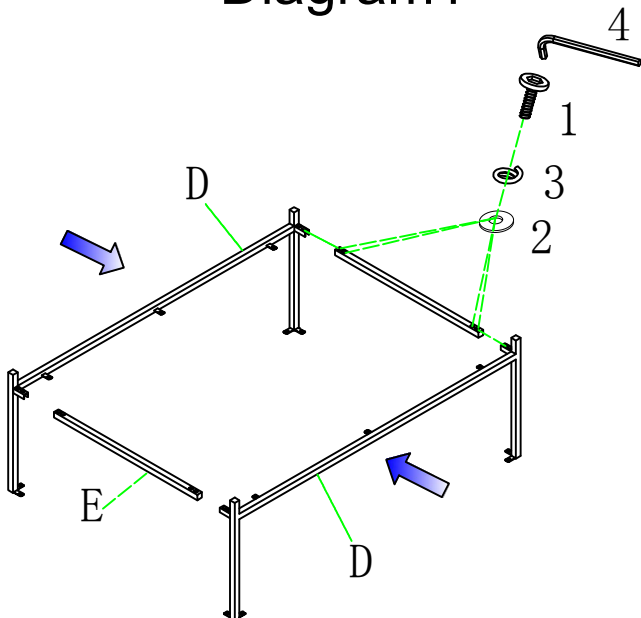
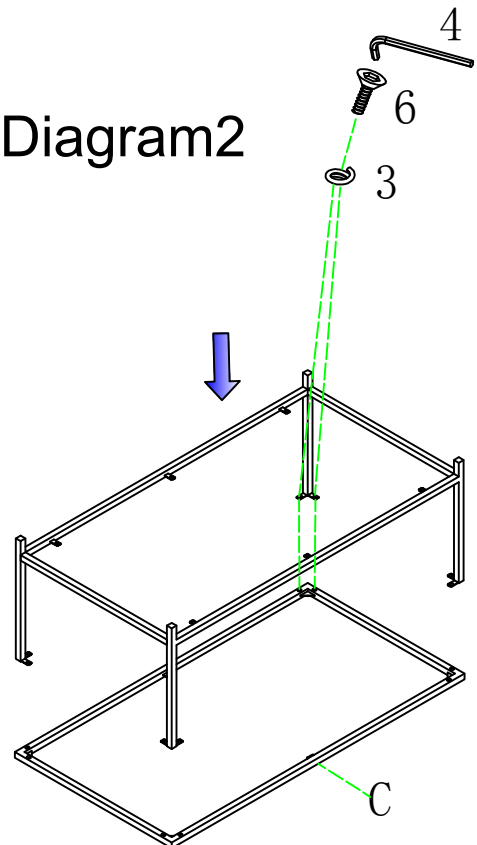


Diagram 2



Begin by placing the table upside down on a smooth surface please make sure the surface is not abrasive.

Diagram3

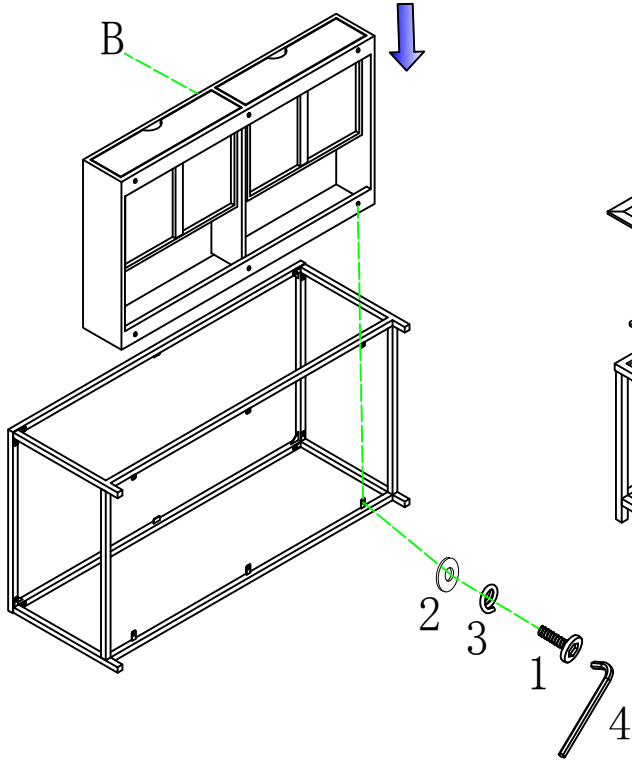


Diagram4

