

# ASSEMBLY INSTRUCTIONS

## T127-41 BENCH

Read Instructions carefully prior to assembly.

Thank you for purchasing this high quality product. Check carefully for small parts which may have come loose during shipment.

Diagram1

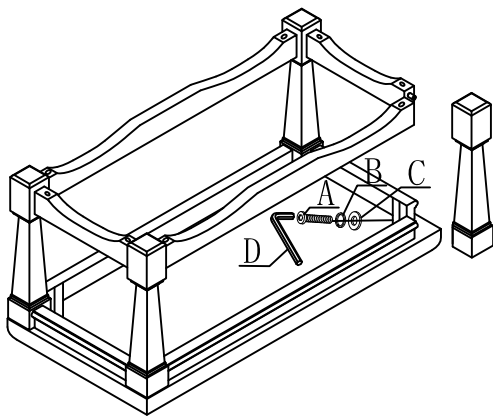
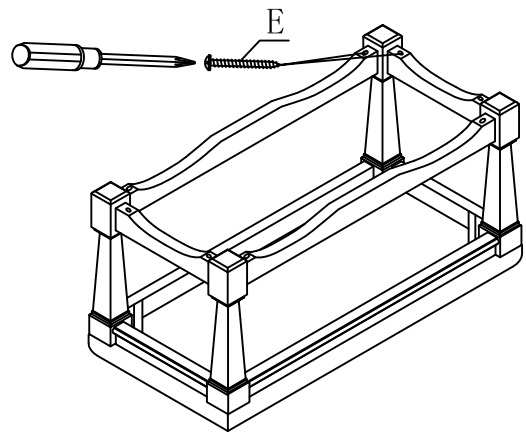
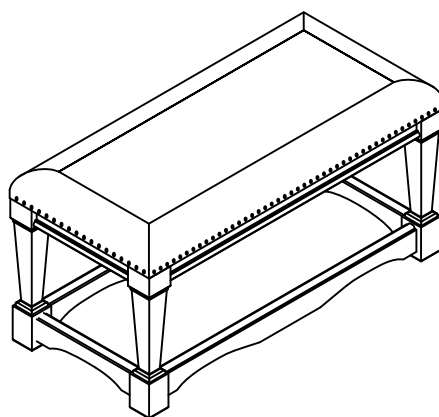





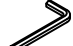
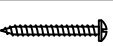
Diagram2



Begin by placing the table upside down on a smooth surface please make sure the surface is not abrasive.



### HARDWARE LIST

NO.	SKETCH	HARDWARE	Q' TY	NO.	SKETCH	HARDWARE	Q' TY
A		1/4"*2-3/8" ALLEN BOLT	8	B		ø1/4" LOCK WASHER	8
C		ø1/4" FLAT WASHER	8	D		4mm ALLEN WRENCH	1
E		4*2" PAN HEAD SCREW	8				