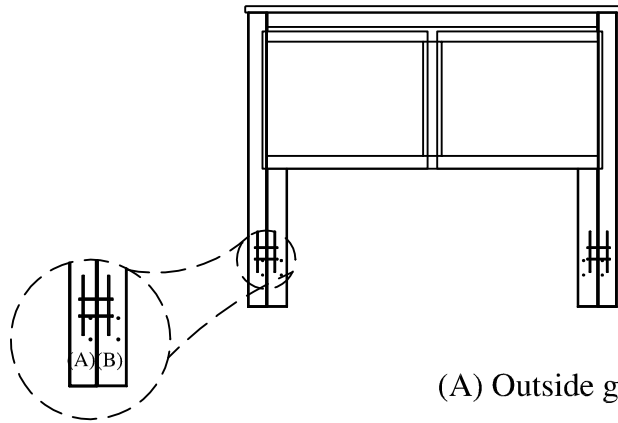


WOODLANDS DESIGNS

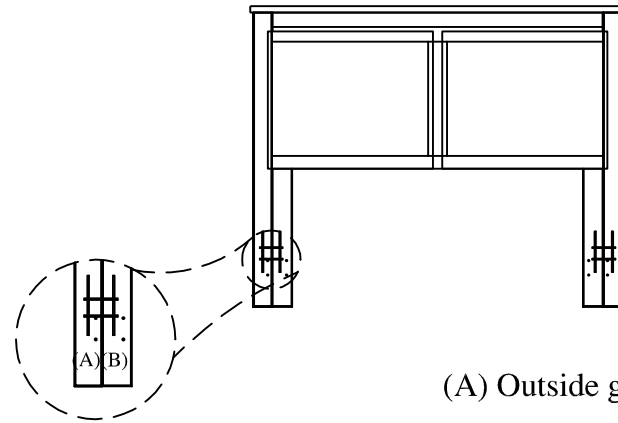
QUEEN/FULL HEADBOARD
ASSAMBLE SHEET



- (A) Outside groove.
- (B) Inside groove.

WOODLANDS DESIGNS

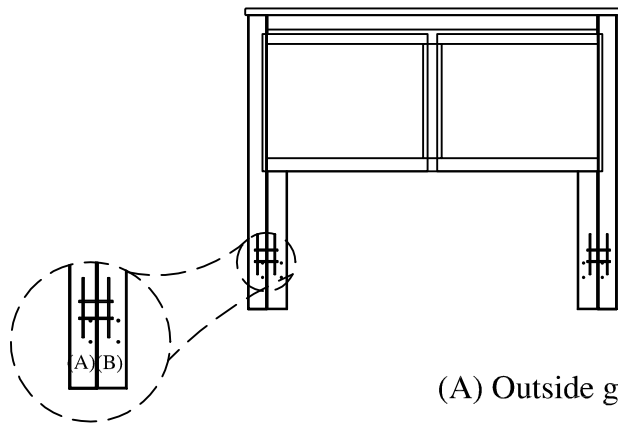
QUEEN/FULL HEADBOARD
ASSAMBLE SHEET



- (A) Outside groove.
- (B) Inside groove.

WOODLANDS DESIGNS

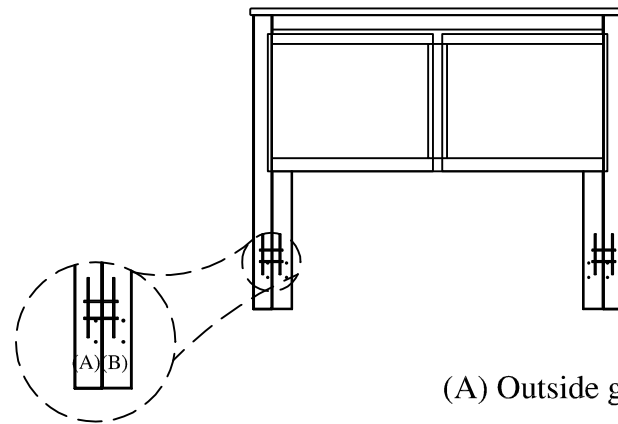
QUEEN/FULL HEADBOARD
ASSAMBLE SHEET



- (A) Outside groove.
- (B) Inside groove.

WOODLANDS DESIGNS

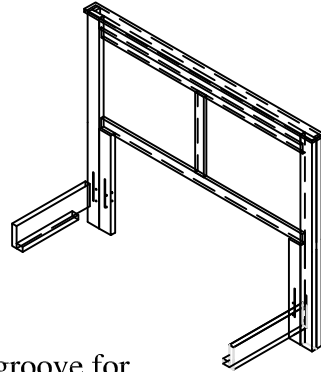
QUEEN/FULL HEADBOARD
ASSAMBLE SHEET



- (A) Outside groove.
- (B) Inside groove.

WOODLANDS DESIGNS
QUEEN/FULL HEADBOARD
ASSAMBLE SHEET

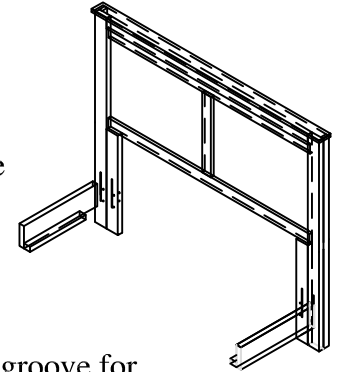
(A) Position Wood Rails on the outside groove for a Queen Size Bed Mattress.



(B) Position Wood Rails on the Inside groove for a Full Size Bed Mattress.

WOODLANDS DESIGNS
QUEEN/FULL HEADBOARD
ASSAMBLE SHEET

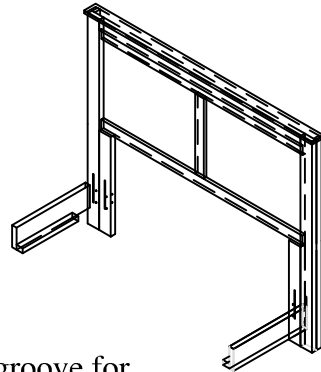
(A) Position Wood Rails on the outside groove for a Queen Size Bed Mattress.



(B) Position Wood Rails on the Inside groove for a Full Size Bed Mattress.

WOODLANDS DESIGNS
QUEEN/FULL HEADBOARD
ASSAMBLE SHEET

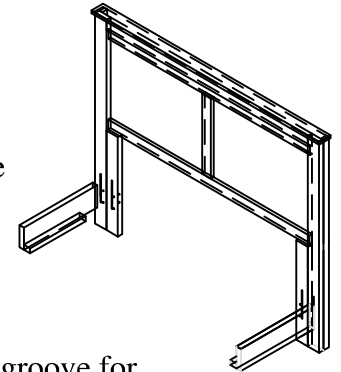
(A) Position Wood Rails on the outside groove for a Queen Size Bed Mattress.



(B) Position Wood Rails on the Inside groove for a Full Size Bed Mattress.

WOODLANDS DESIGNS
QUEEN/FULL HEADBOARD
ASSAMBLE SHEET

(A) Position Wood Rails on the outside groove for a Queen Size Bed Mattress.



(B) Position Wood Rails on the Inside groove for a Full Size Bed Mattress.