

ASSEMBLY INSTRUCTIONS

P587-01 COCKTAIL TABLE

Read Instructions carefully prior to assembly.

Thank you for purchasing this high quality product. Check carefully for small parts which may have come loose during shipment.

Diagram1

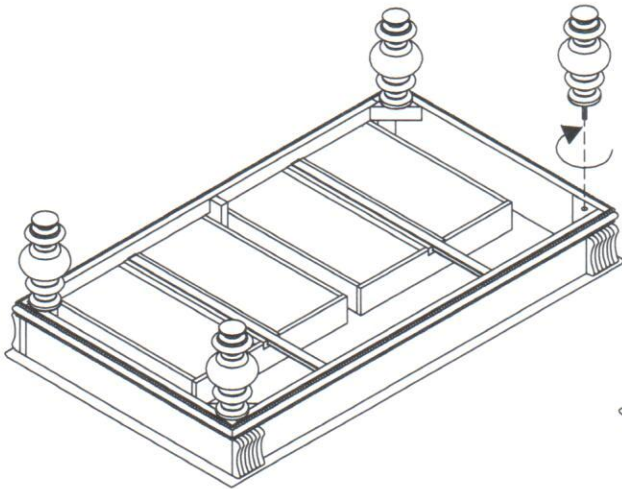
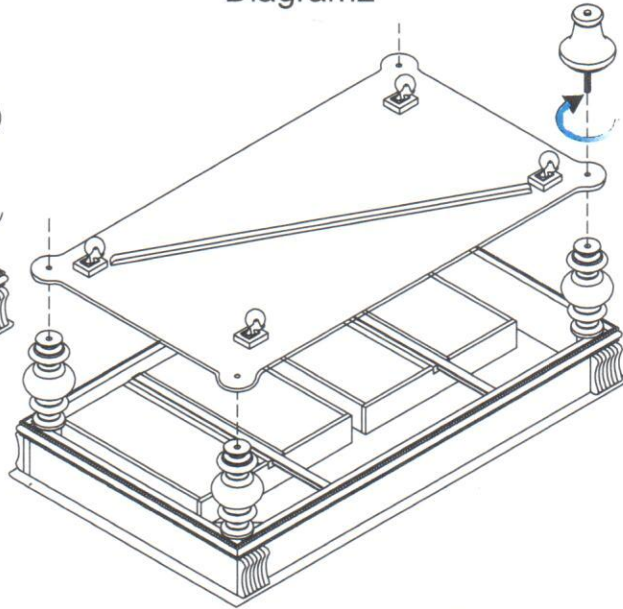


Diagram2



Begin by placing the table upside down on a smooth surface please make sure the surface is not abrasive.

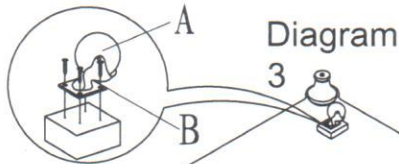
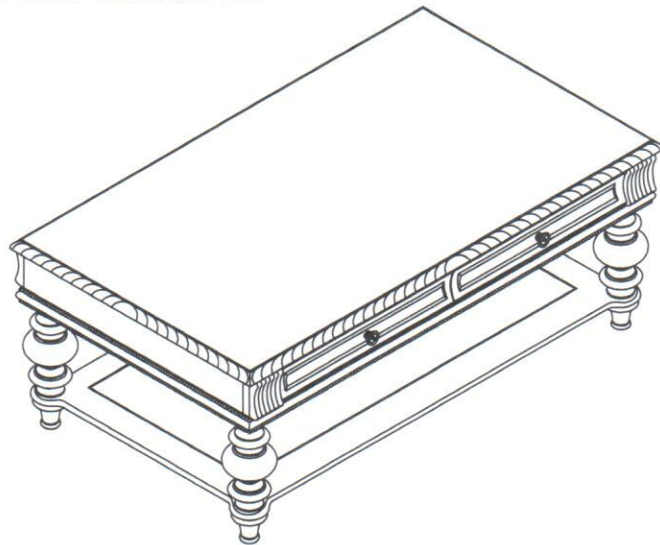
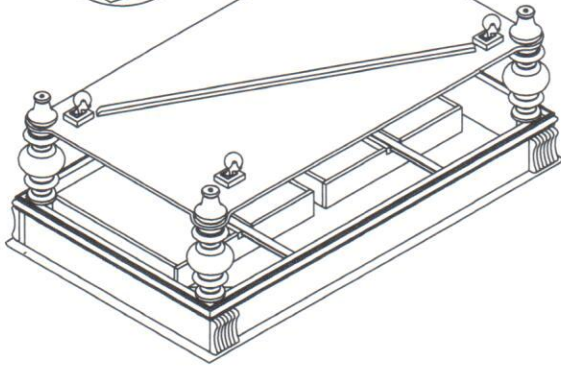
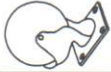



Diagram
3



- 1) Attach long legs to table top in Diagram1.
- 2) Attach shelf to long legs, screw down short legs in Diagram2.
- 3) Attach casters to bottom shelf by using parts A. B. as shown in Diagram3.
- 4) Place the table into position.

A		CASTER (ø50mm)	4PCS
B		SCREW (#8*5/8"L)	16PCS