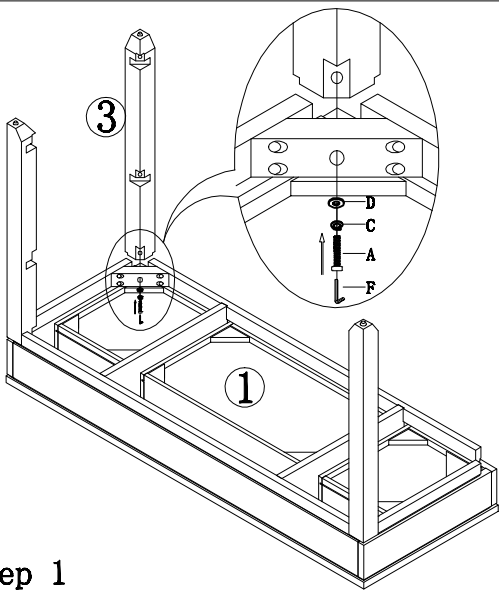


PROGRESSIVE furniture

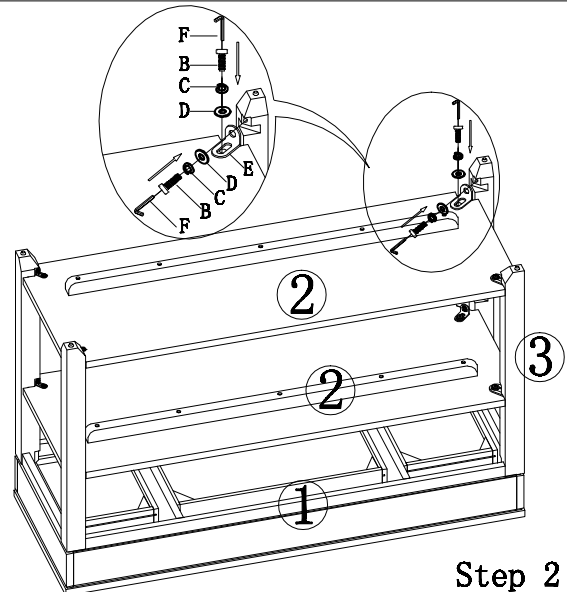
ASSEMBLY INSTRUCTIONS

ITEM NO. :P531-05 Sofa Table

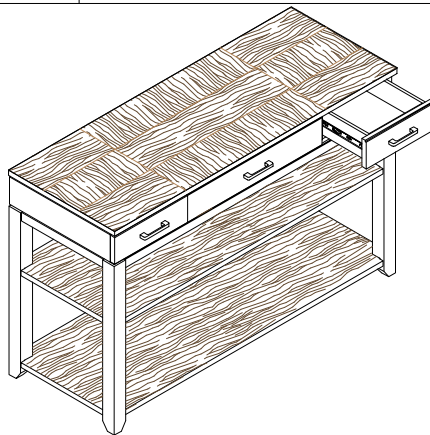
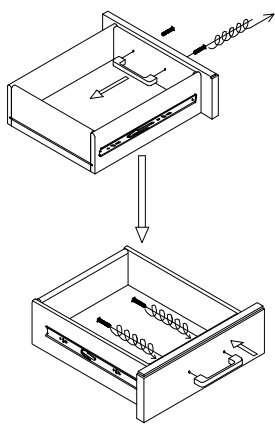
Thank you for purchasing this quality product. Be sure to check all packing materials carefully for small parts may have come loose inside the carton during shipment, clarify and count all parts and compare with the parts list below. Do not completely tighten until the item has been fully assembled.


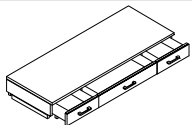





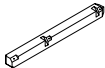



Step 1



Step 2



HARDWARE LIST					PARTS LIST			
A		BOLT	ø1/4" * 2"L	4PCS	1		TOP FRAME	1PC
B		BOLT	ø1/4" * 5/8"L	16PCS				
C		LOCK WASHER	ø1/4" * 12mm	20PCS	2		SHELF	2PCS
D		FLAT WASHER	ø1/4" * 16mm	20PCS				
E				8PCS	3		LEG	4PCS
F		ALLEN WRENCH	4 mm	1PC				

Cleaning Instruction: Clean the table surface with a furniture polish and a soft cloth.

Made In China