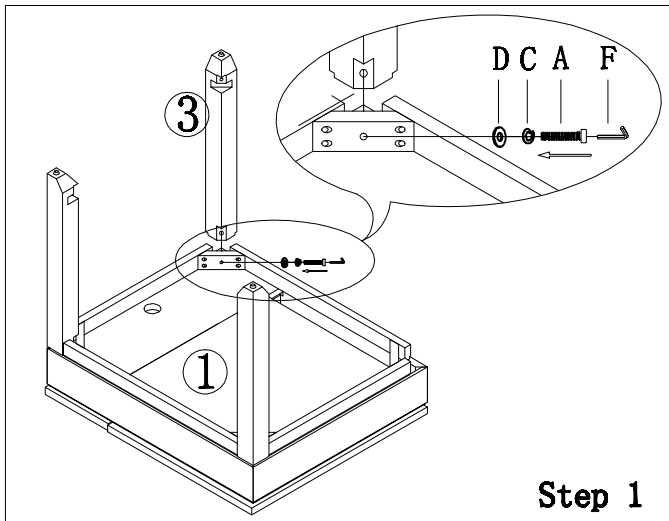


ASSEMBLY INSTRUCTIONS

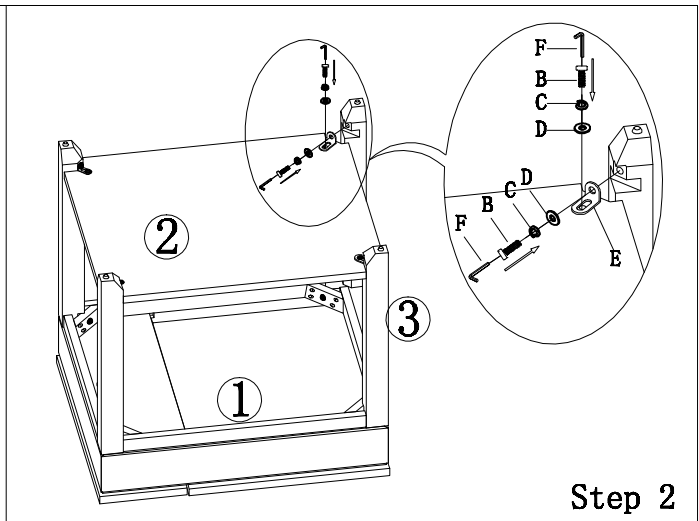


ITEM NO. :P531-04 End Table

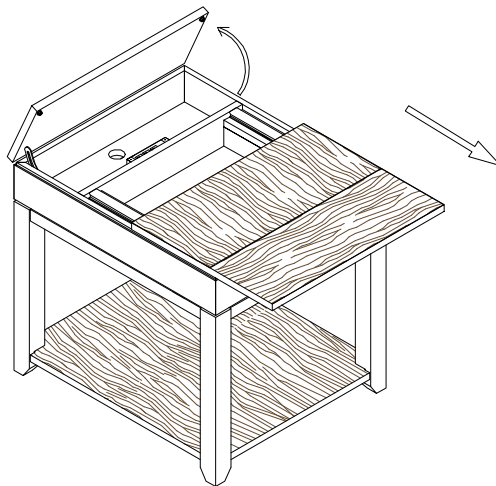
Thank you for purchasing this quality product. Be sure to check all packing materials carefully for small parts may have come loose inside the carton during shipment, clarify and count all parts and compare with the parts list below. Do not completely tighten until the item has been fully assembled.



Step 1



Step 2



HARDWARE LIST				PARTS LIST				
A		BOLT	ø1/4"*2"L	4PCS	1		TOP FRAME	1PC
B		BOLT	ø1/4"*5/8"L	8PCS				
C		LOCK WASHER	ø1/4"*12mm	12PCS				
D		FLAT WASHER	ø1/4"*16mm	12PCS				
E				4PCS	2		SHELF	1PC
F		ALLEN WRENCH	4 mm	1PC				
					3		LEG	4PCS

Cleaning Instruction: Clean the table surface with a furniture polish and a soft cloth.

Made In China