








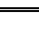


# ASSEMBLY INSTRUCTION

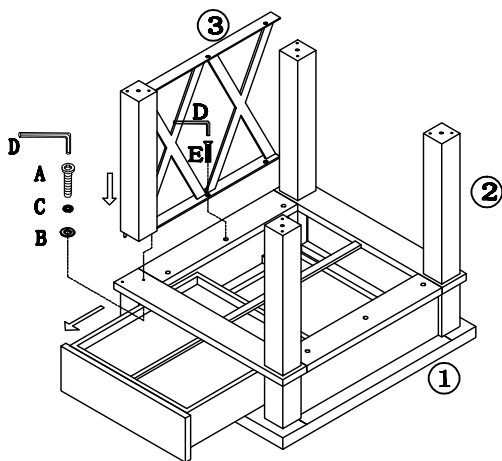
ITEM NO : P527-04

Thank you for purchasing our product, please study the diagram and inventory all parts before assembling.  
**Important Note :**

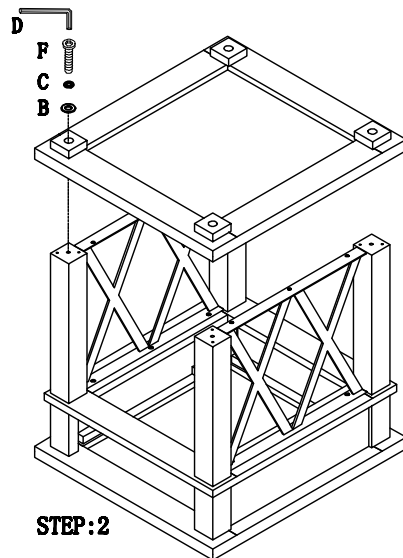
Follow instructions listed below in the proper sequence to assure fast, easy and correct assembly.  
 Do not completely tighten until the item has been fully assembled.

1. Upon opening thoroughly clean all wood surfaces with a clean soft cloth to remove dust and dirt that may have settled onto finish during shipment.
2. Place on soft surface during assembly to prevent furniture from scratching.

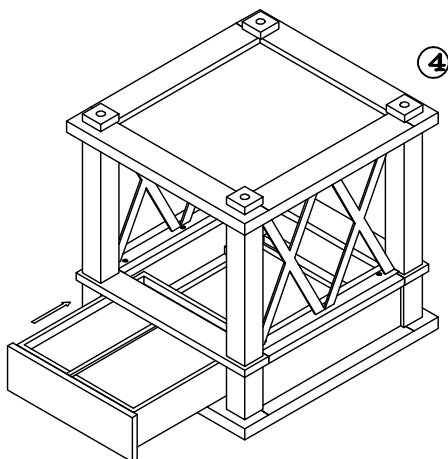
PARTA TABLE					HARDWARE LIST						
①		1PC	③		2PCS	A	 Hexagon bolt ( $\phi 1/4" \times 1-1/4"$ )	4PCS	C	 Spring washer (1/4")	8PCS
②		4PCS	④			B	 Flat washer (1/4" * 19D)	8PCS	D	 ALLEN WRENCH ( $\phi 1/4"$ )	1PC
						E	 Hexagon bolt ( $\phi 1/4" \times 5/8"$ )	12PCS	F	 Hexagon bolt ( $\phi 1/4" \times 2"$ )	4PCS



STEP:1



STEP:2



STEP:3

