

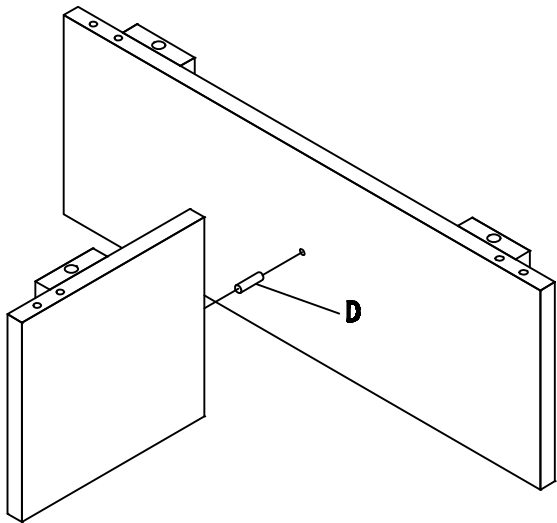
ASSEMBLY INSTRUCTION

ITEM NO : P474-15

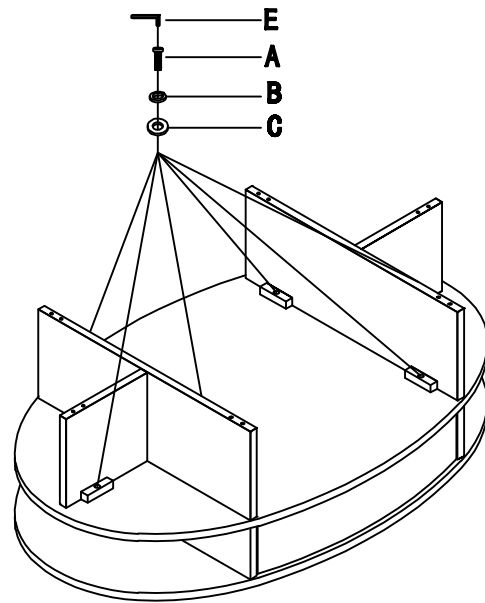
Thank you for purchasing our product, please study the diagram and inventory all parts before assembling.
Important Note:

Follow instructions listed below in the proper sequence to assure fast, easy and correct assembly.
 Do not fully tighten hardware until the item has been fully assembled.

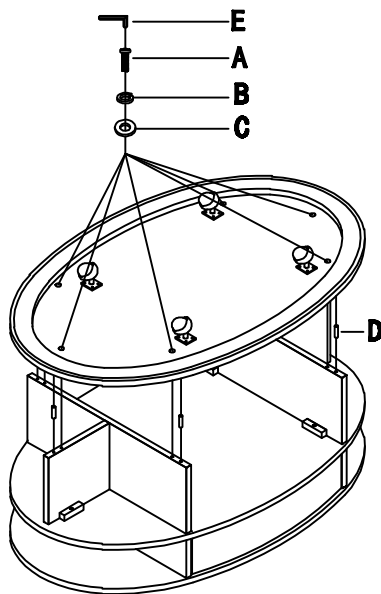
1. Upon opening thoroughly clean all wood surfaces with a clean soft cloth and furniture polish to remove dust and dirt that may have settled onto finish during shipment.
2. Place on soft surface during assembly to prevent furniture from scratching.



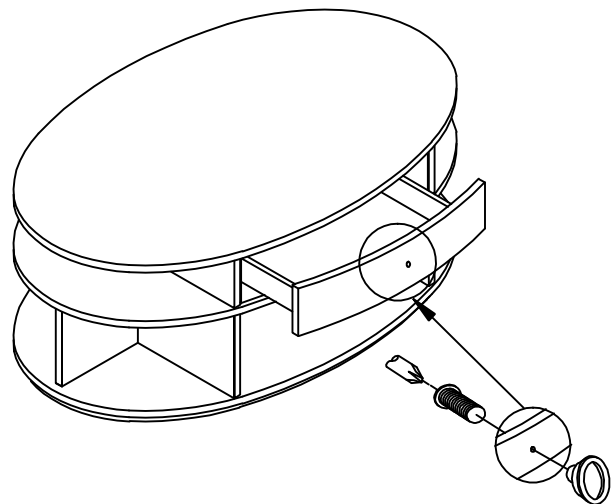
Step 1



Step 2



Step 3



Step 4

HARDWARE LIST

A		Bolt	$\text{Ø}1/4'' \times 1-1/4''$	12pcs	B		Lock Washer	$\text{Ø}1/4''$	12pcs
C		Washer	$\text{Ø}1/4'' \times \text{Ø}18\text{mm}$	12pcs	D		Dry Wood Dowel	$\text{Ø}8'' \times 30\text{mm}$	14pcs
E		Allen Wrench	4mm	1pc					