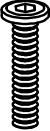

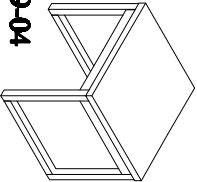

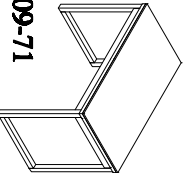

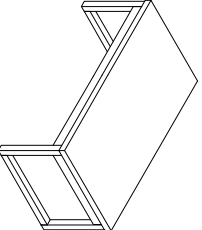
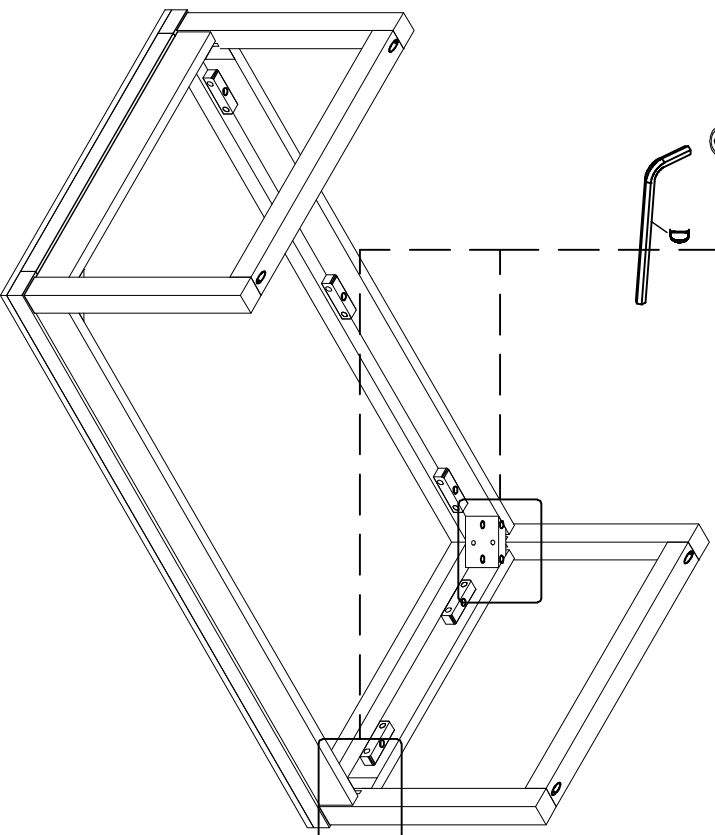
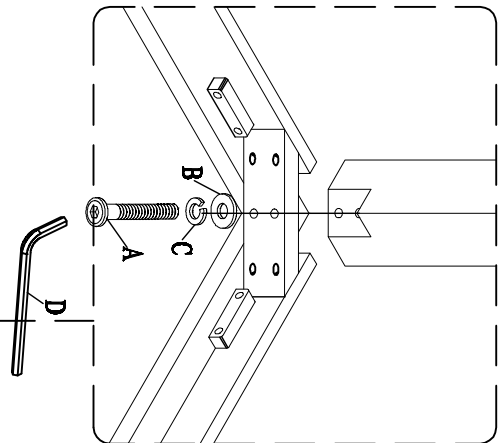


ASSEMBLY INSTRUCTIONS

MODEL NO.:#P109-01,04,71 TABLE

Hardware List		MASTER	
A	 Bolt Ø5/16" x 2" 1/4mm	8PCS	
B	 Flat washer Ø5/16" x19mm	8PCS	
C	 Spring washer Ø5/16"	8PCS	
D	 Allen key 4mm	1PC	
			



← MADE IN VIET NAM →