





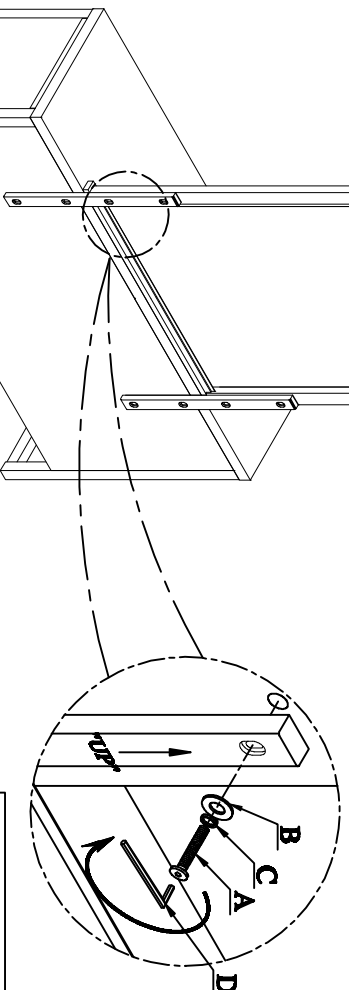
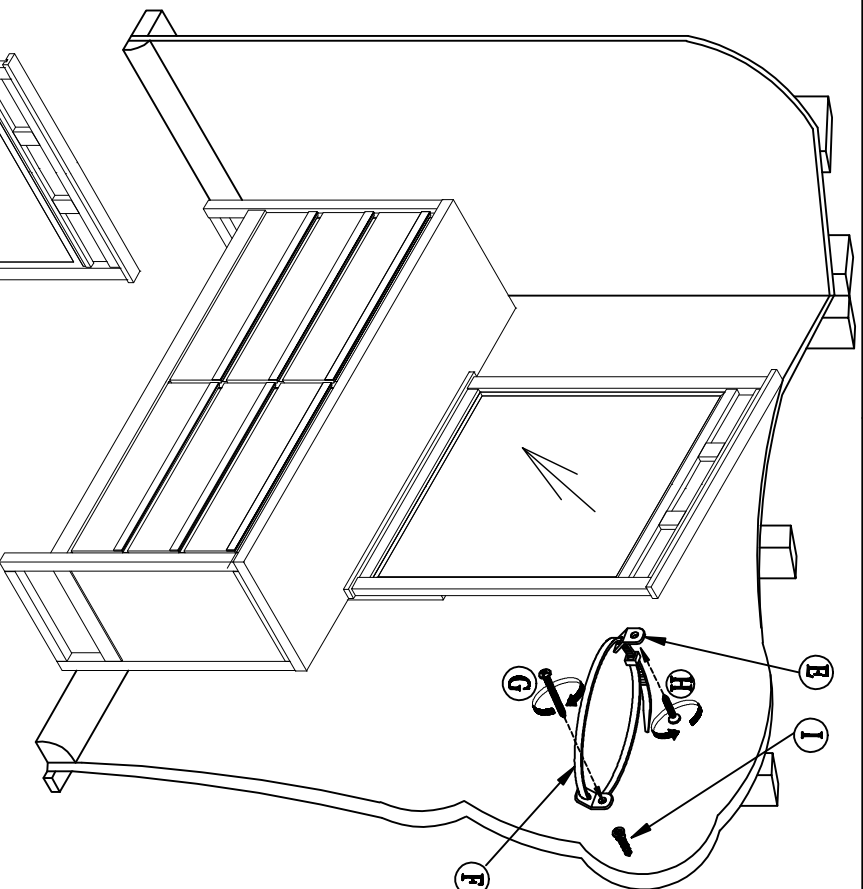
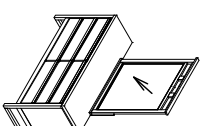
# ASSEMBLY INSTRUCTIONS






MODEL NO.:#P109-23 & 50 DRESSER & MIRROR

## Hardware List

A		Bolt $\varnothing 1/4"$ x 1 1/4"	8PC
B		Flat washer $\varnothing 1/4"$ x19mm	8PC
C		Spring washer $\varnothing 1/4"$	8PC
D		Allen key 4mm	1PC

## MASTER



HARDWARE LIST		
	Mounting Bracket	2PCS
	Nylon Rocker	1PC
	Long screw	1PC
	Short screw	1PC
	Plastic wall anchor	1PC

← MADE IN VIET NAM →