










# ASSEMBLY INSTRUCTIONS

ITEM NO.: I824-40  
DESK

Thank you for purchasing this quality product. Place all wooden parts on a clean and smooth surface such as a rug or carpet to avoid the parts from being scratched. Be sure to check all packing materials carefully for small parts may have come loose inside the carton during shipment, clarify and count all parts and compare with the parts list below. Do not tighten all screws / bolts until all completely assembled.

Parts List		
No.	Description	Q.ty
1	Back Panel	1PC
2	Shelf Panel	1PC
3	Table Top	1PC
4	Left Panel	1PC
5	Right Panel	1PC
6	Upright Left	1PC
7	Upright Right	1PC
8	Adjustable Shelf	1PC
9	Modesty Panel	1PC
10	Metal Rail	2PCS
11	Metal Leg	2PCS

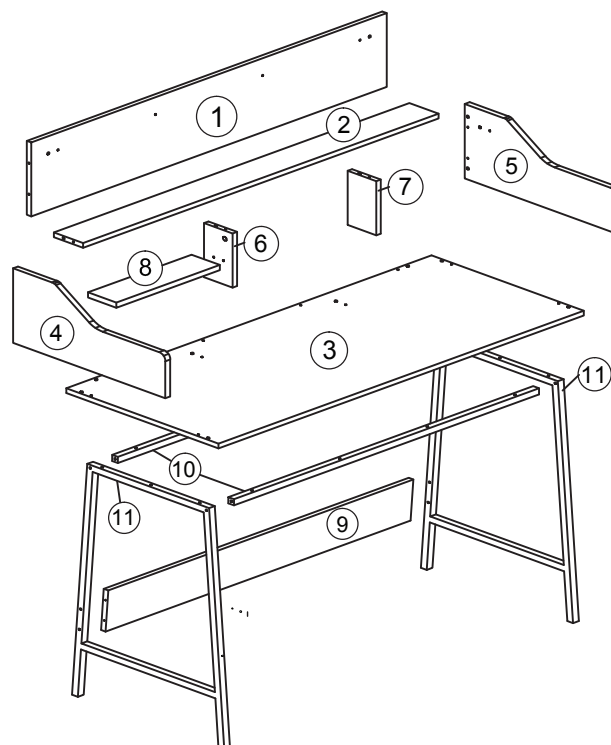
Hardware List				
No.	Description	Sketch	Size	Q.ty
A	Wood Dowels		M8x 30mm	14pcs
B	Cam Lock		D15mm x T11mm	8pcs
C	Cam Bolts		M6 x 40mm	8pcs
D	Screws		Ø4 x 32mm	14pcs
E	Screws		Ø4 x 45mm	18pcs
F	JCBC		Ø6 x 35mm	4pcs
G	Shelf Holder		Ø6 x 14mm	4pcs
H	Allen Key		M4	1pcs
I	Cam Hole Cover		D15mm	2pcs

## NOTE : YOU WILL ALSO NEED A SCREWDRIVER (NOT PROVIDED)

These parts are cumbersome and heavy. Therefore, two people are recommended in order to prevent personal injury and insure the parts are not damaged during the assembly.

### Important Notes

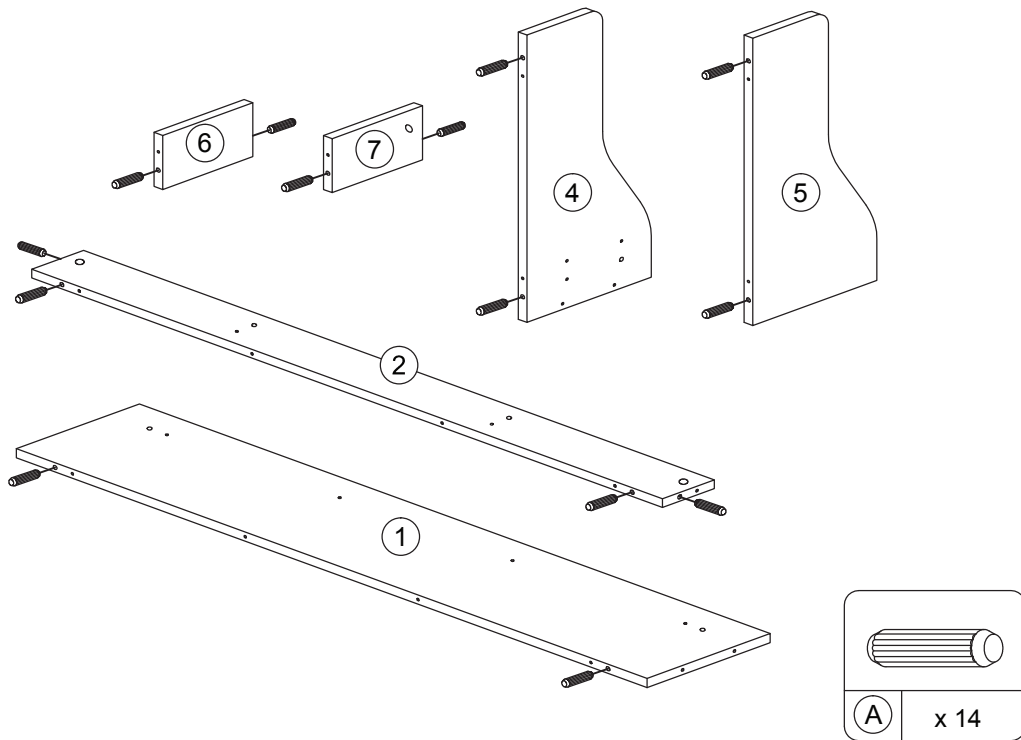
- \*Keep all hardware parts out of reach of children!
- \*Tighten screws periodically! With the use of this product bolts and screws may become loose over time!
- \*Don't attempt to modify parts!



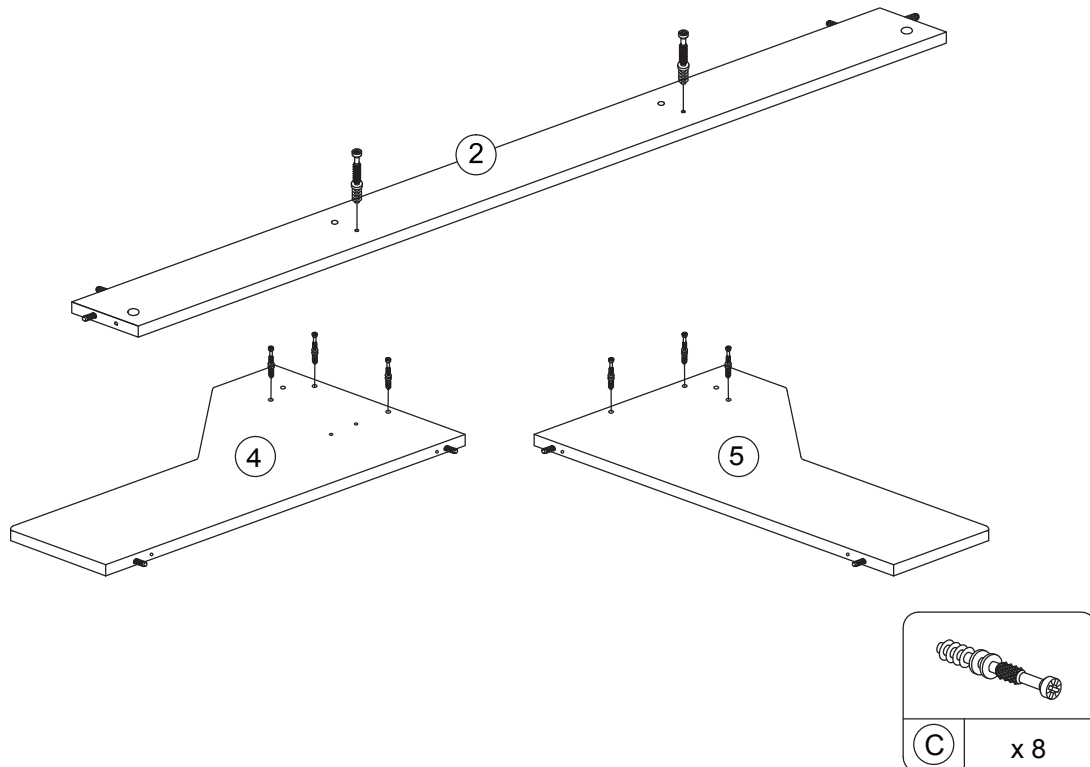
# ASSEMBLY INSTRUCTIONS

ITEM NO.: 1824-40  
DESK

## STEP 1:



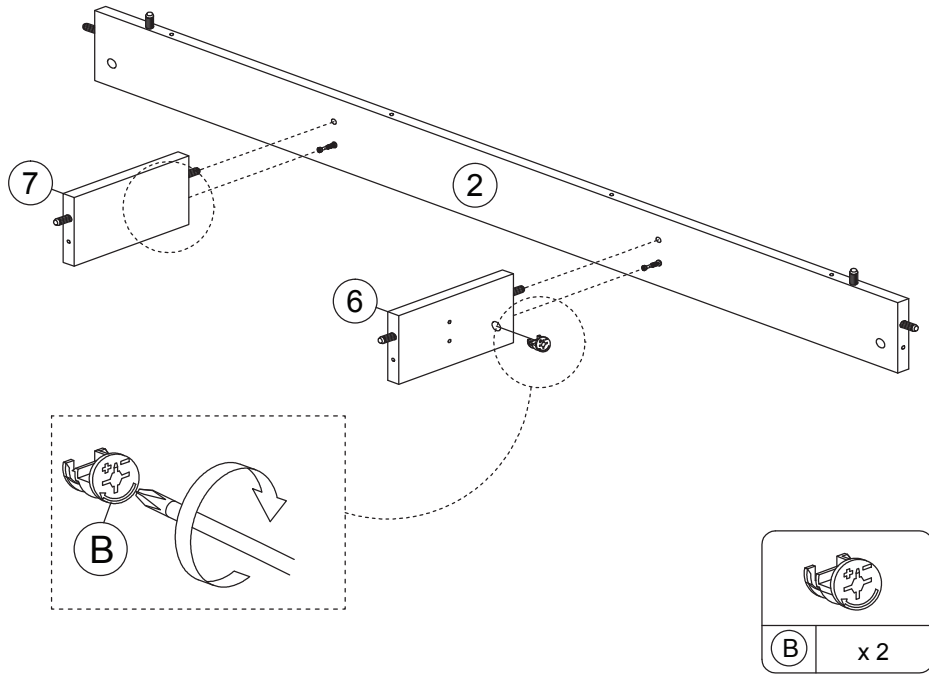
## STEP 2:



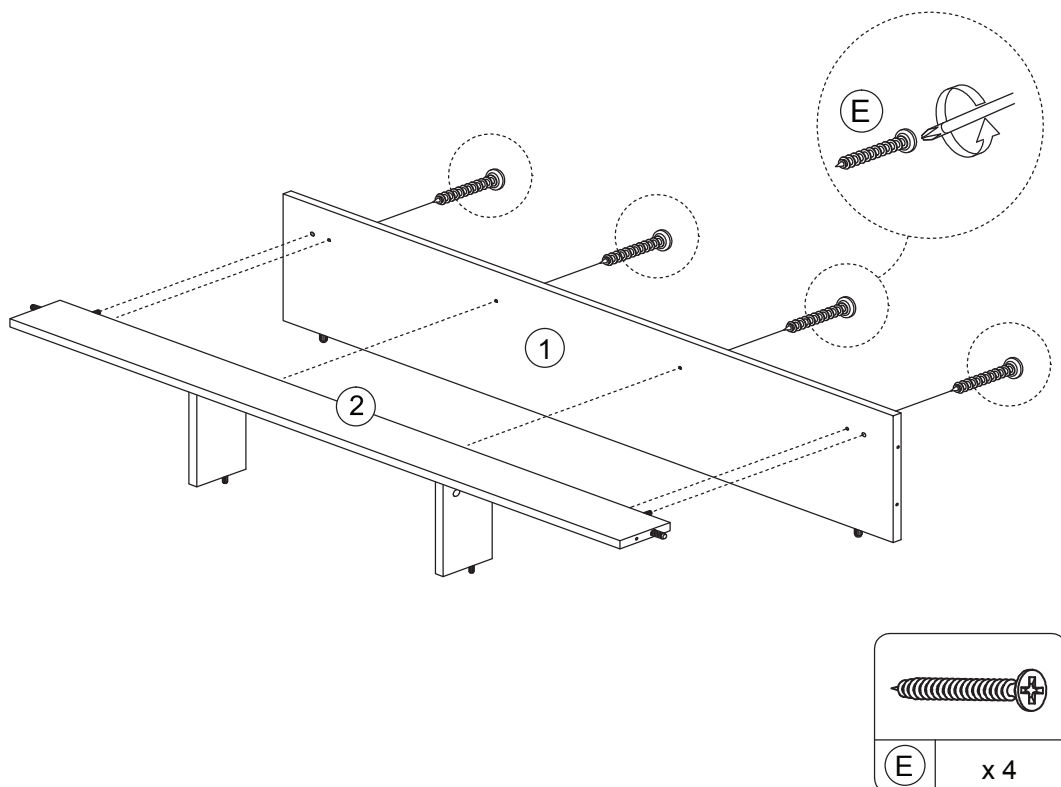
# ASSEMBLY INSTRUCTIONS

ITEM NO.: 1824-40  
DESK

## STEP 3:



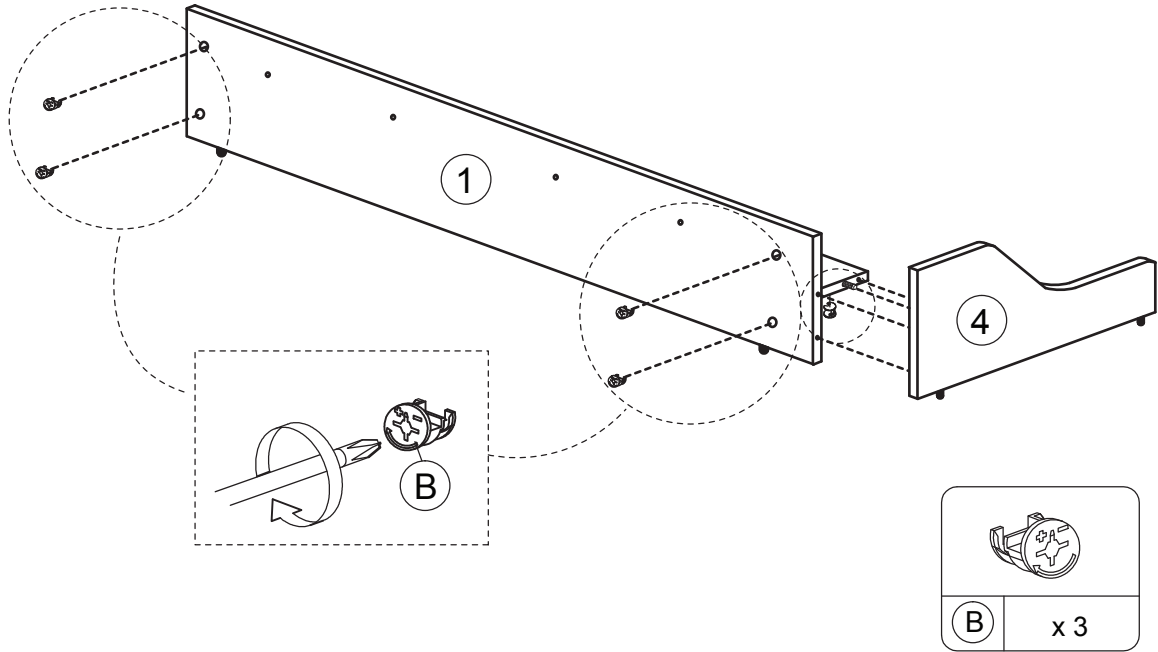
## STEP 4:



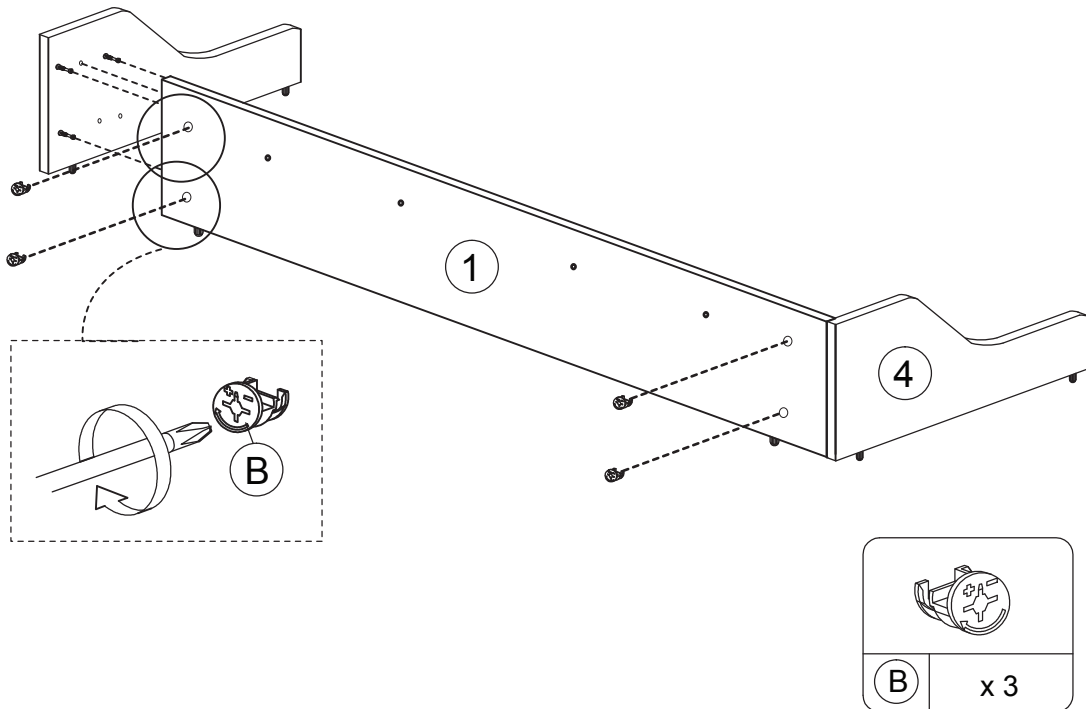
# ASSEMBLY INSTRUCTIONS

ITEM NO.: I824-40  
DESK

## STEP 5:



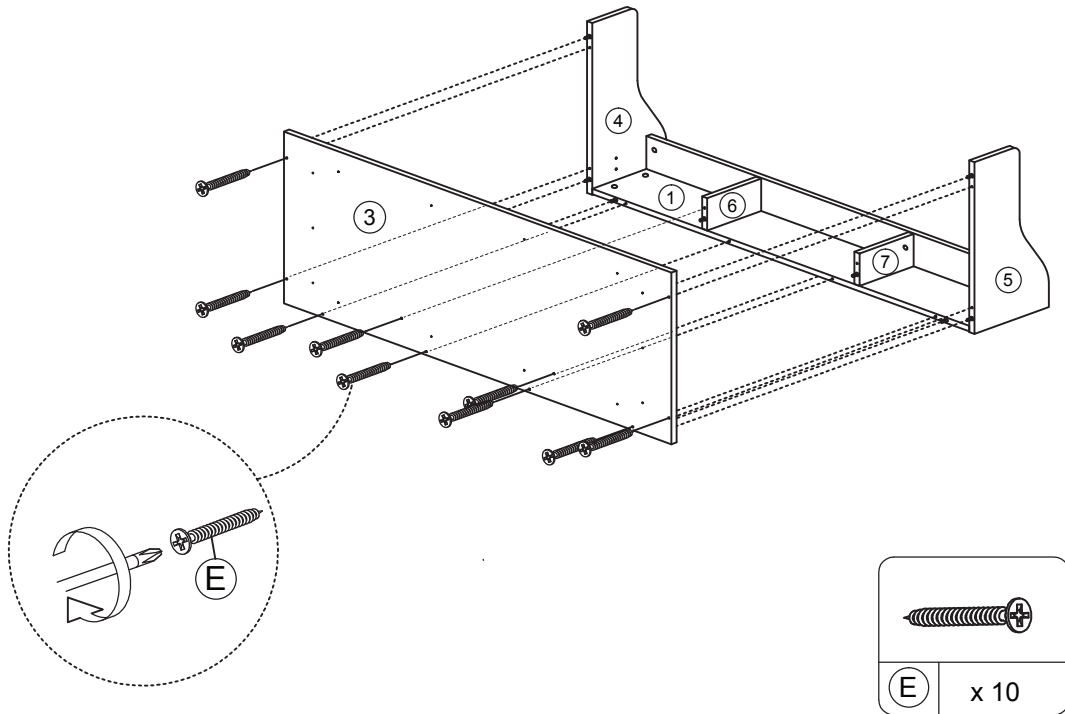
## STEP 6:



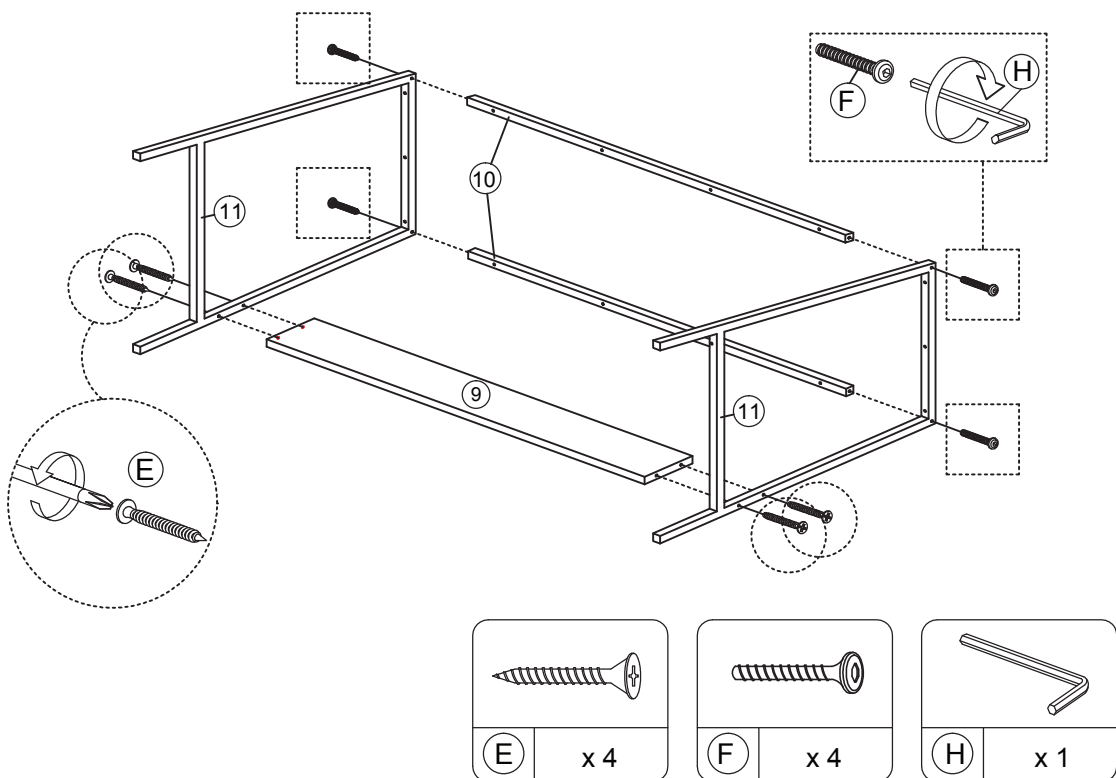
# ASSEMBLY INSTRUCTIONS

ITEM NO.: I824-40  
DESK

## STEP 7:



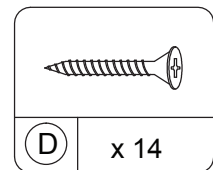
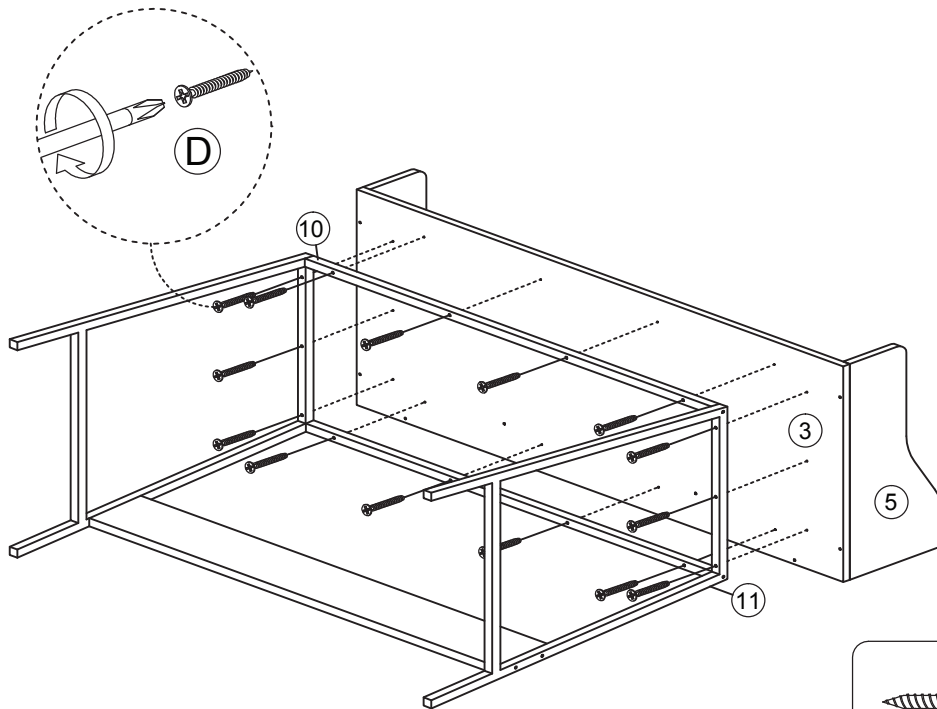
## STEP 8:



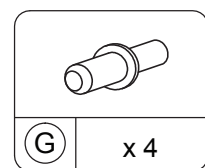
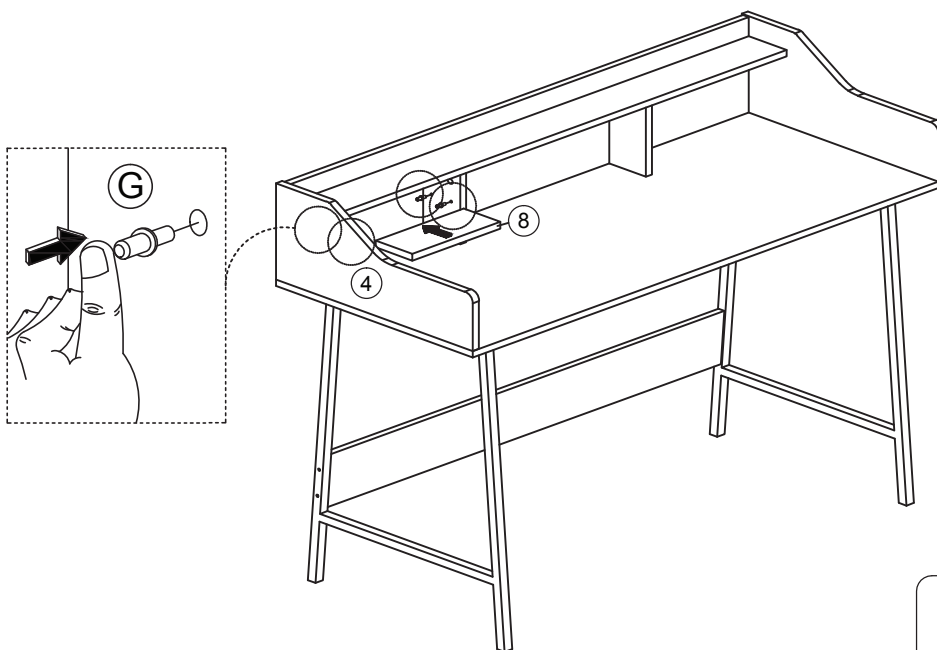
# ASSEMBLY INSTRUCTIONS

ITEM NO.: 1824-40  
DESK

## STEP 9:



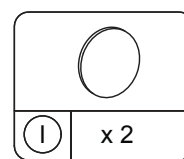
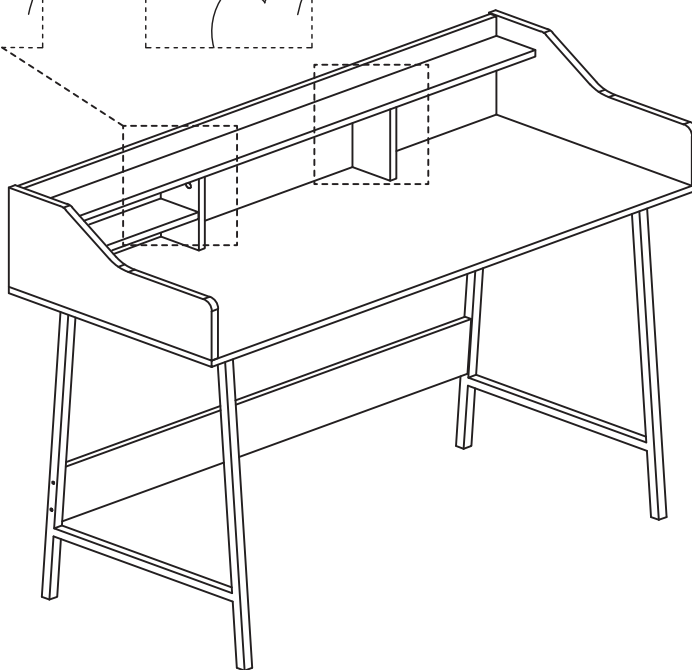
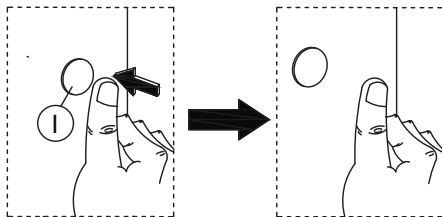
## STEP 10:



# ASSEMBLY INSTRUCTIONS

ITEM NO.: I824-40  
DESK

## STEP 11:



## STEP 12:

