




ASSEMBLY INSTRUCTIONS

ITEM NO.: I788-35 / I789-30
HERB PLANTER

Thank you for purchasing this quality product. Place all wooden parts on a clean and smooth surface such as a rug or carpet to avoid the parts from being scratched. Be sure to check all packing materials carefully for small parts may have come loose inside the carton during shipment, clarify and count all parts and compare with the parts list below. Do not tighten all screws / bolts until all completely assembled.

Parts List		
No.	Description	Q.ty
A	Wooden Top	1PC
B	Wooden Leg	2PCS
C	Connector	2PCS
D	Wooden Bottom	1PC
E	Metal Part	1PC

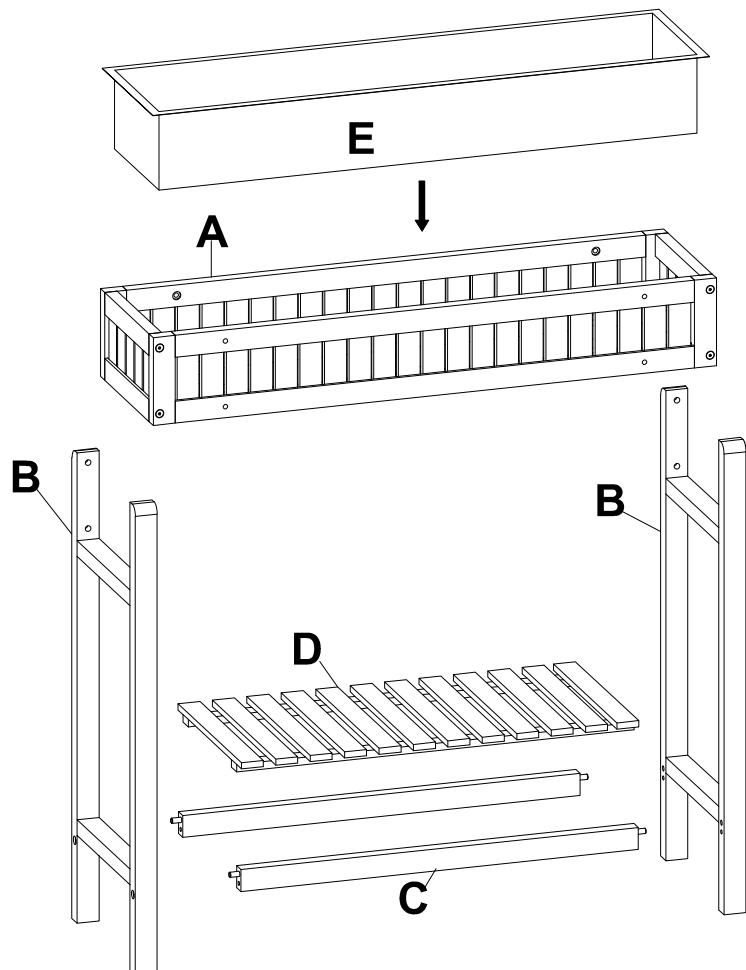
Hardware List				
No.	Description	Sketch	Size	Q.ty
1	Allen Key		M4	1pc
2	Allen Bolt		M6 x 30 mm	8pcs
3	Screws		M6 x 70mm	4pcs

NOTE : YOU WILL ALSO NEED A SCREWDRIVER (NOT PROVIDED)

These parts are cumbersome and heavy. Therefore, two people are recommended in order to prevent personal injury and insure the parts are not damaged during the assembly.

△ Important Notes

- *Keep all hardware parts out of reach of children!
- *Tighten screws periodically! With the use of this product bolts and screws may become loose over time!
- *Don't attempt to modify parts!

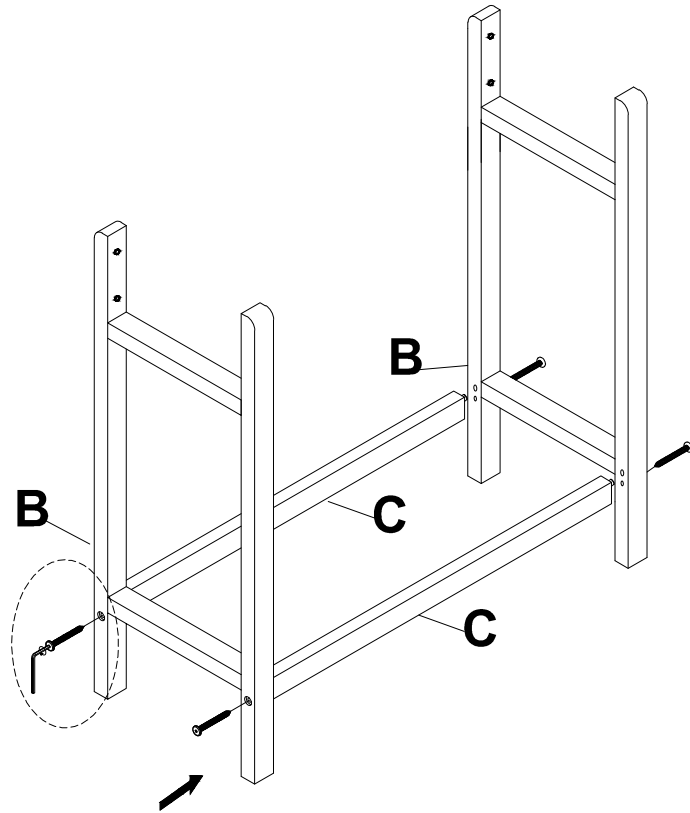
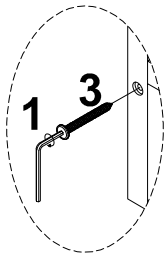


ASSEMBLY INSTRUCTIONS

ITEM NO.: I788-35 / I789-30
HERB PLANTER

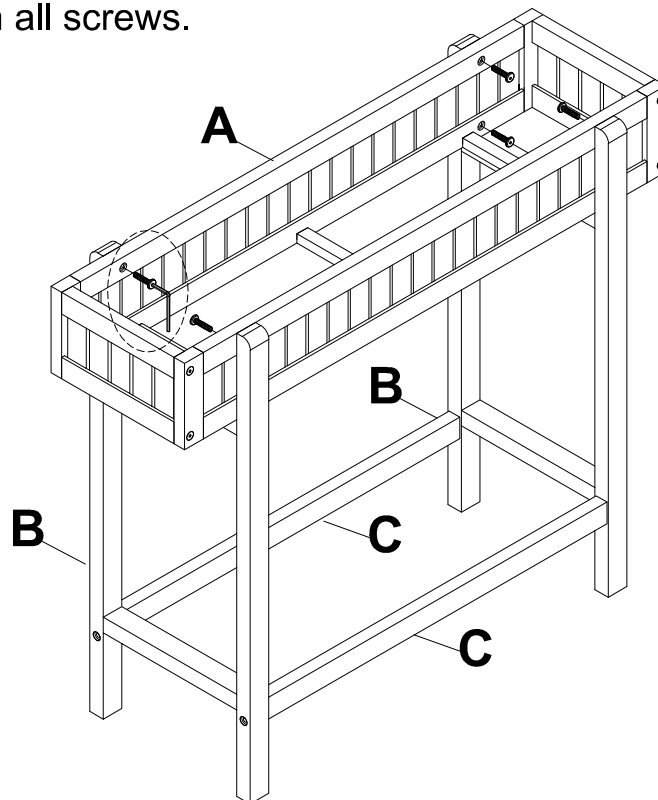
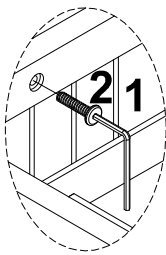
STEP 1: Do not fully tighten the bolts until all parts have been assembled.

Screws (3) x 4



STEP 2:

Installation top and leg by screws.
Using the Allen key to tighten all screws.

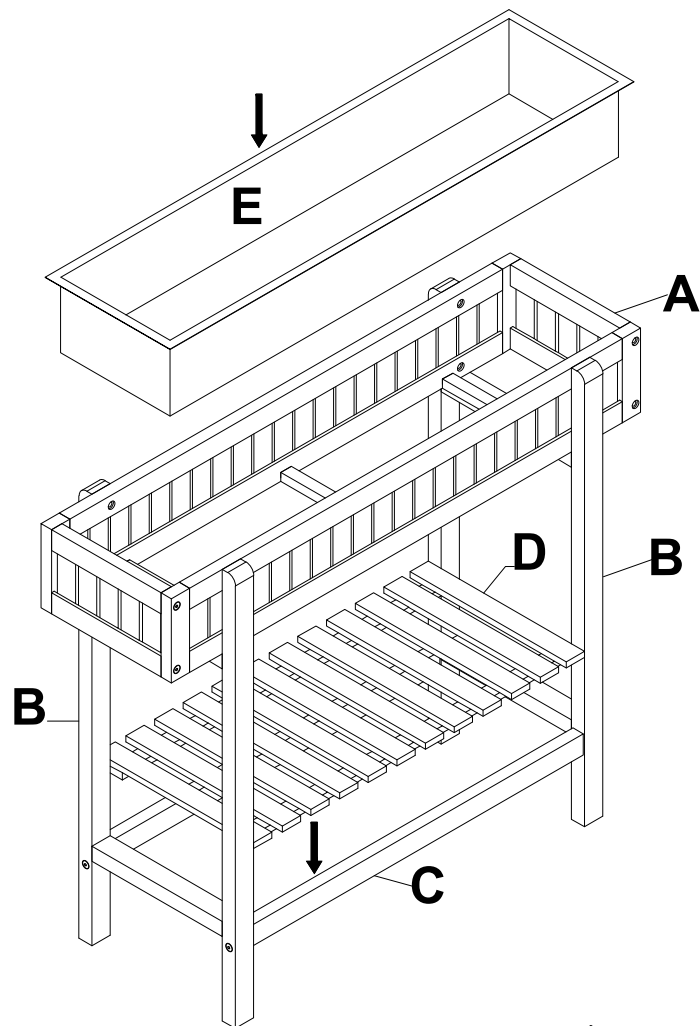


Allen Bolt (2) x 8

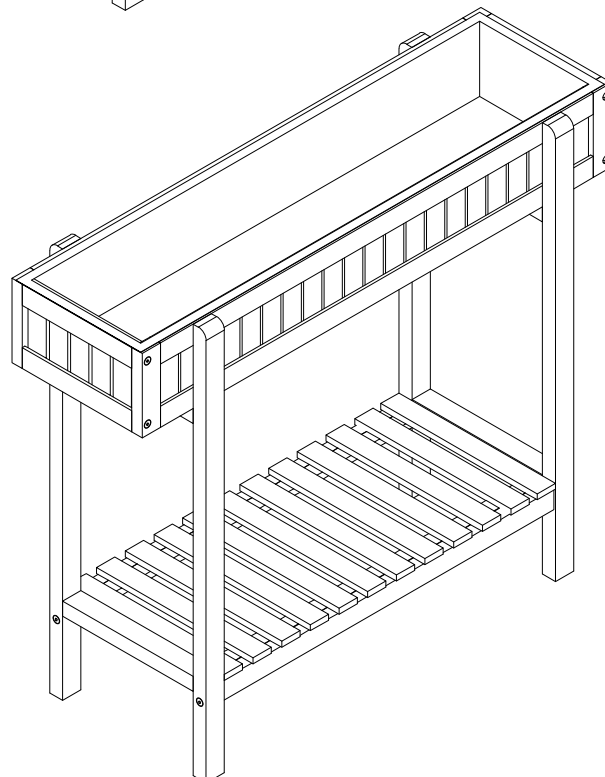
ASSEMBLY INSTRUCTIONS

ITEM NO.: I788-35 / I789-30
HERB PLANTER

STEP 3:



STEP 4:



Cleaning instruction: Clean using soft cloth

Made in Vietnam