




# ASSEMBLY INSTRUCTIONS

ITEM NO.: I786-20  
3 tier planter

Thank you for purchasing this quality product. Place all wooden parts on a clean and smooth surface such as a rug or carpet to avoid the parts from being scratched. Be sure to check all packing materials carefully for small parts may have come loose inside the carton during shipment, clarify and count all parts and compare with the parts list below. Do not tighten all screws / bolts until all completely assembled.

Parts List		
No.	Description	Q.ty
A	Wooden Bottom Legs	2PCS
B	Wooden Leg	2PCS
C	Wooden Side	6PCS
D	Wooden Bottom	3PCS

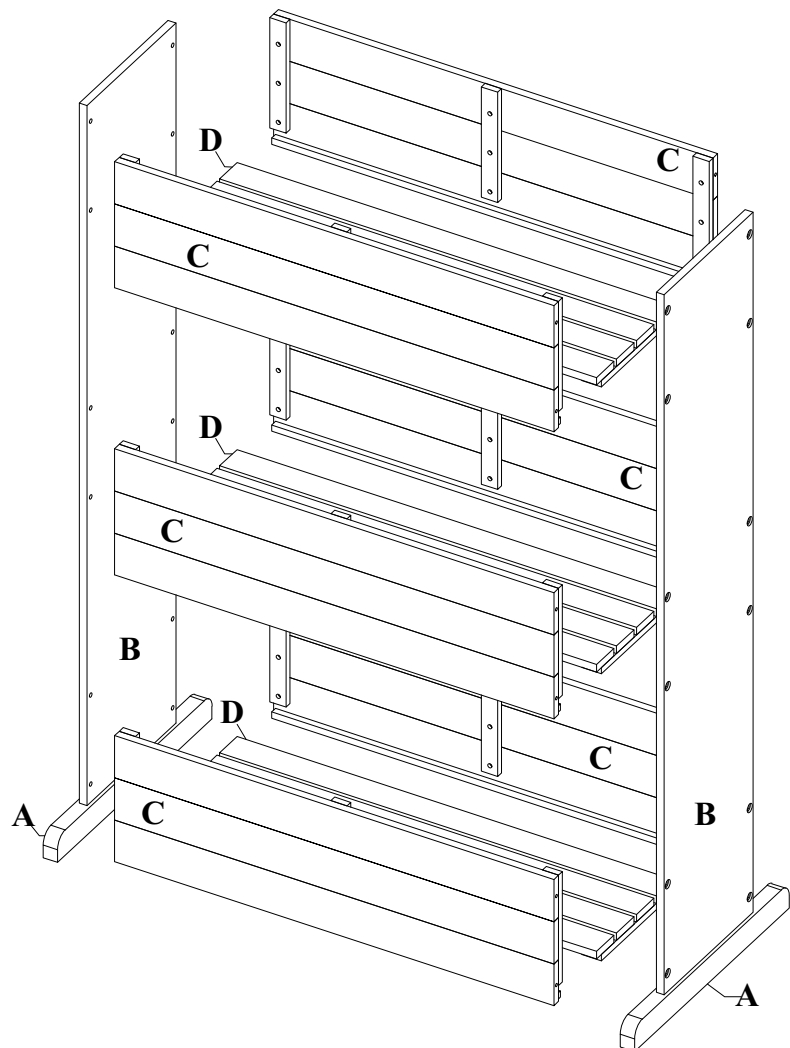
Hardware List				
No.	Description	Sketch	Size	Q.ty
1	Allen Key		M4	1pc
2	Screws		M6 x 40 mm	24pcs
3	Screws		M6 x 55 mm	4pcs

## NOTE : YOU WILL ALSO NEED A SCREWDRIVER (NOT PROVIDED)

These parts are cumbersome and heavy. Therefore, two people are recommended in order to prevent personal injury and insure the parts are not damaged during the assembly.

### Important Notes

- \*Keep all hardware parts out of reach of children!
- \*Tighten screws periodically! With the use of this product bolts and screws may become loose over time!
- \*Don't attempt to modify parts!



Cleaning instruction: Clean using soft cloth

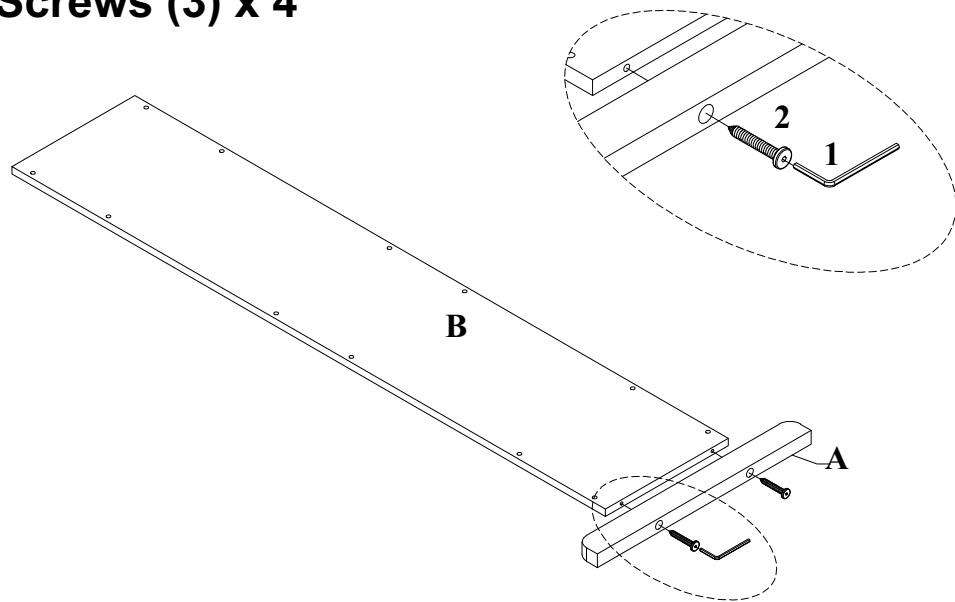
Made in Vietnam

# ASSEMBLY INSTRUCTIONS

ITEM NO.: I786-20  
3 tier planter

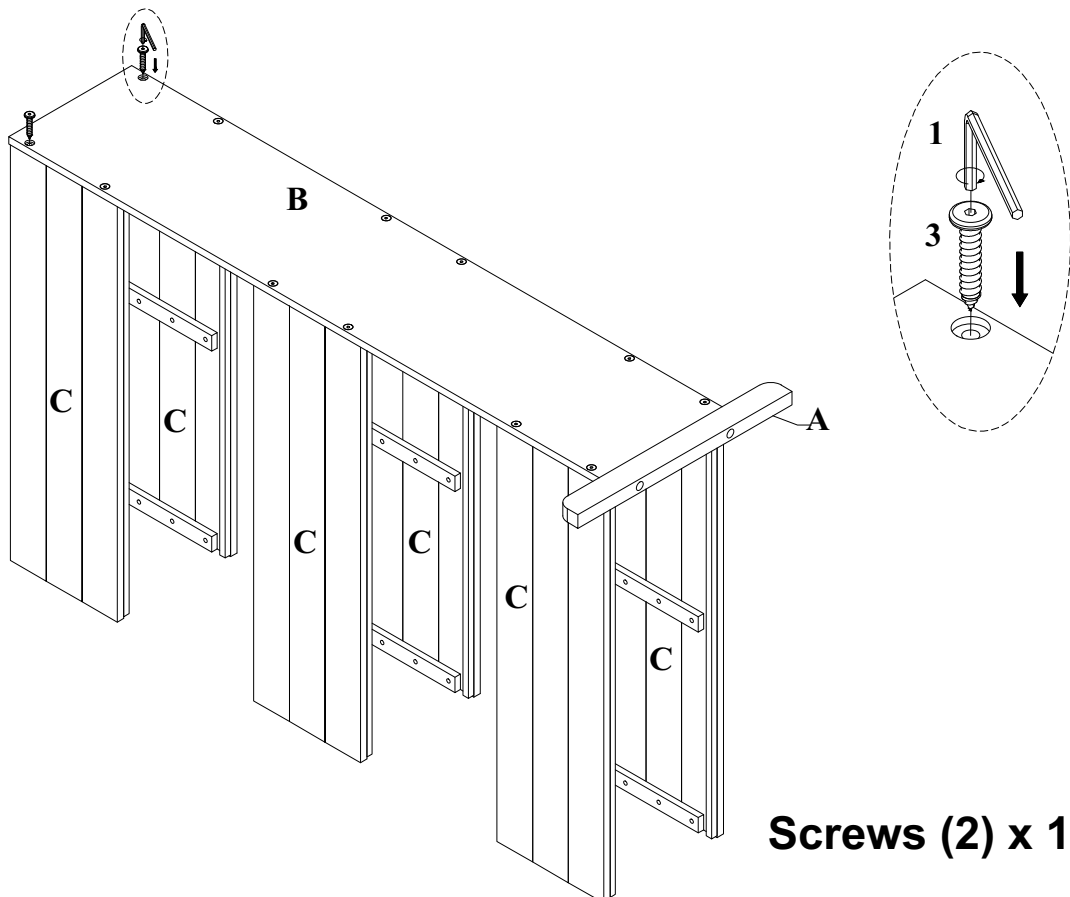
STEP 1: Do not fully tighten the bolts until all parts have been assembled

**Screws (3) x 4**



## STEP 2:

Installation the wooden leg and wooden side by screws.  
Using the Allen key to tighten all screws.

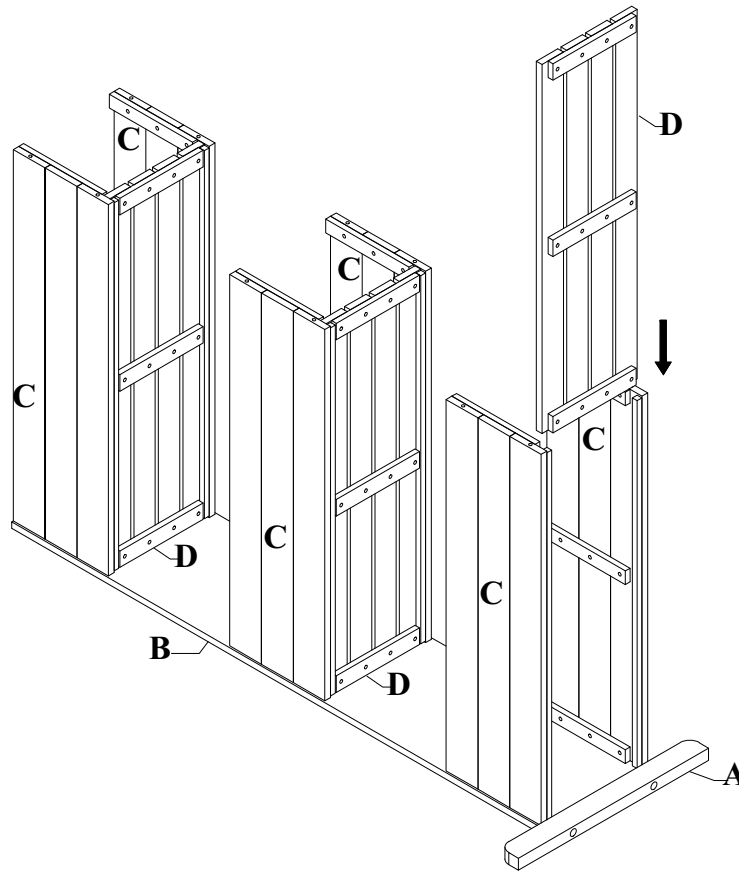


**Screws (2) x 12**

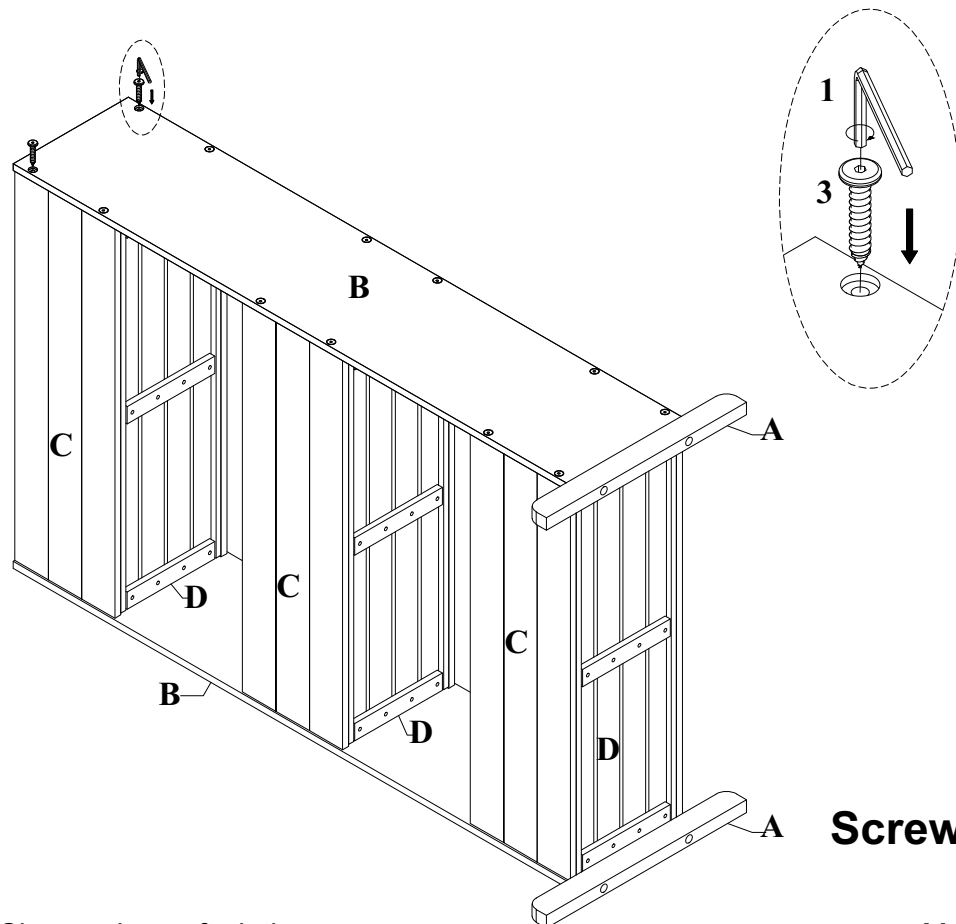
# ASSEMBLY INSTRUCTIONS

ITEM NO.: I786-20  
3 tier planter

## STEP 3:



## STEP 4:



**Screws (2) x 12**

Cleaning instruction: Clean using soft cloth

Made in Vietnam

# ASSEMBLY INSTRUCTIONS

ITEM NO.: I786-20  
3 tier planter

## STEP 5:

