

# ASSEMBLY INSTRUCTIONS

ITEM NO.: I612-04 NOLA END TABLE


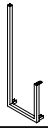

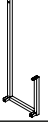
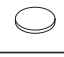
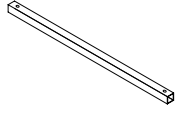

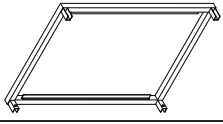
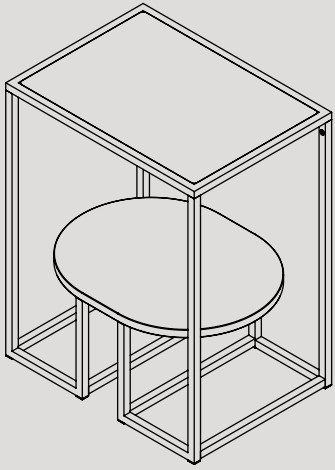
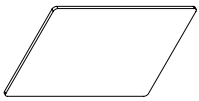
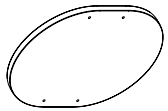
Thank you for purchasing this quality product. Be sure to check all packing materials carefully for small parts may have come loose inside the carton during shipment, clarify and count all parts and compare with the parts list below.

Do not completely tighten until the item has been fully assembled.

**STEP 1**

**△ Important Notes**

- \*Keep all hardware parts out of reach of children!
- \*Tighten screws periodically! With the use of this product bolts and screws may become loose over time!
- \*Don't attempt to modify parts!

HARDWARE LIST				PARTS LIST				
A		FOOT PAD	16mmx17mm	8pcs	1		METAL FRAME	2pcs
B		BOLT	Ø1/4"x12mm	16pcs	2		METAL FRAME	2pcs
C		GLASS PAD		4pcs	3		METAL TUBE	4pcs
D		ALLEN KEY		1pc	4		TOP PANEL	1pc
					5		GLASS	1pc
					6		WOOD	1pc

Cleaning Instruction: Clean the table surface with a furniture polish and a soft cloth.

Made In Taiwan

# ASSEMBLY INSTRUCTIONS

ITEM NO.: I612-04 NOLA END TABLE

Thank you for purchasing this quality product. Be sure to check all packing materials carefully for small parts may have come loose inside the carton during shipment, clarify and count all parts and compare with the parts list below.

Do not completely tighten until the item has been fully assembled.

### STEP 2

### STEP 3

**△ Important Notes**

- \*Keep all hardware parts out of reach of children!
- \*Tighten screws periodically! With the use of this product bolts and screws may become loose over time!
- \*Don't attempt to modify parts!

HARDWARE LIST					PARTS LIST			
A		FOOT PAD	16mmx17mm	8pcs	1		METAL FRAME	2pcs
B		BOLT	Ø1/4"x12mm	16pcs	2		METAL FRAME	2pcs
C		GLASS PAD		4pcs	3		METAL TUBE	4pcs
D		ALLEN KEY		1pc	4		TOP PANEL	1pc
					5		GLASS	1pc
					6		WOOD	1pc

Cleaning Instruction: Clean the table surface with a furniture polish and a soft cloth.

Made In Taiwan