







ASSEMBLY INSTRUCTIONS

ITEM NO.: I302-58M / 58R / 58B
TV STAND

Thank you for purchasing this quality product. Place all wooden parts on a clean and smooth surface such as a rug or carpet to avoid the parts from being scratched. Be sure to check all packing materials carefully for small parts may have come loose inside the carton during shipment, clarify and count all parts and compare with the parts list below. Do not tighten all screws / bolts until all completely assembled.

Parts List		
No.	Description	Q.ty
1	Top Panel	1PC
2	Bottom Panel	1PC
3	Side Panel	2PCS
4	Upright Panel	1PC
5	Upright Rail	1PC
6	Upper Rail	1PC
7	Bottom Rail	1PC
8	Support Leg	1PC
9	Shelf	2PCS
10	Back Panel	2PCS
11	Left Front Leg	1PC
12	Right Front Leg	1PC
13	Left Rear Leg	1PC
14	Right Rear Leg	1PC

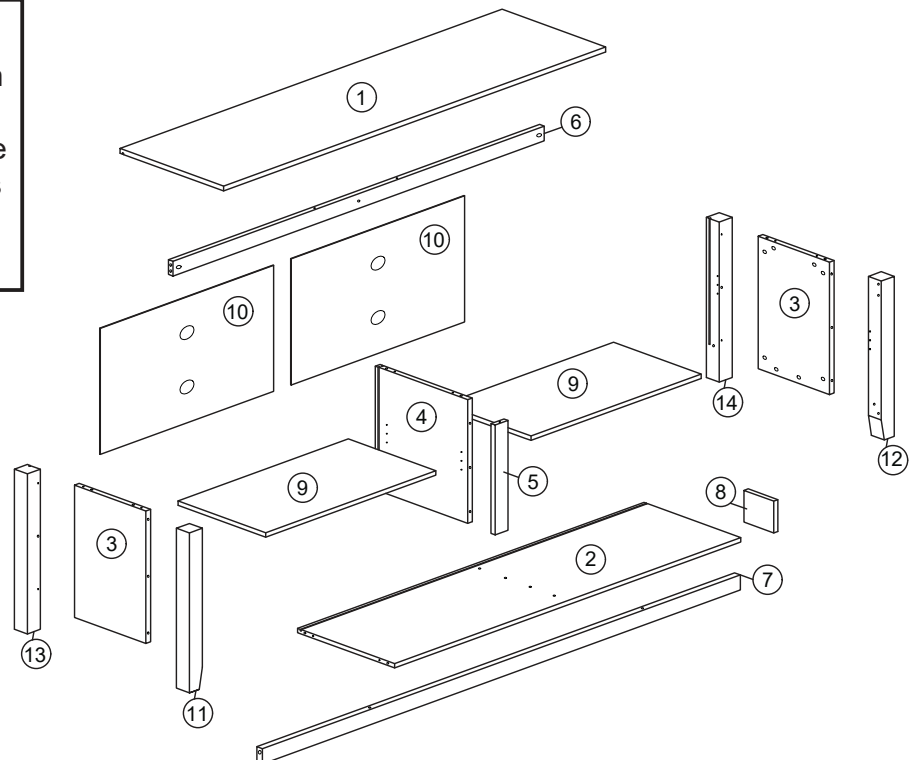
Hardware List				
No.	Description	Sketch	Size	Q.ty
A	Wood Dowels		M8x 30mm	24pcs
B	Screws		M4x 45mm	8pcs
C	Cam Lock		D15mm x T10mm	22pcs
D	Cam Bolts		M6 x 40mm	22pcs
E	Cam Hole Cover		D15mm	22pcs
F	Shelf Holder		D5mm x 16mm	8pcs

NOTE : YOU WILL ALSO NEED A SCREWDRIVER (NOT PROVIDED)

These parts are cumbersome and heavy. Therefore, two people are recommended in order to prevent personal injury and insure the parts are not damaged during the assembly.

Important Notes

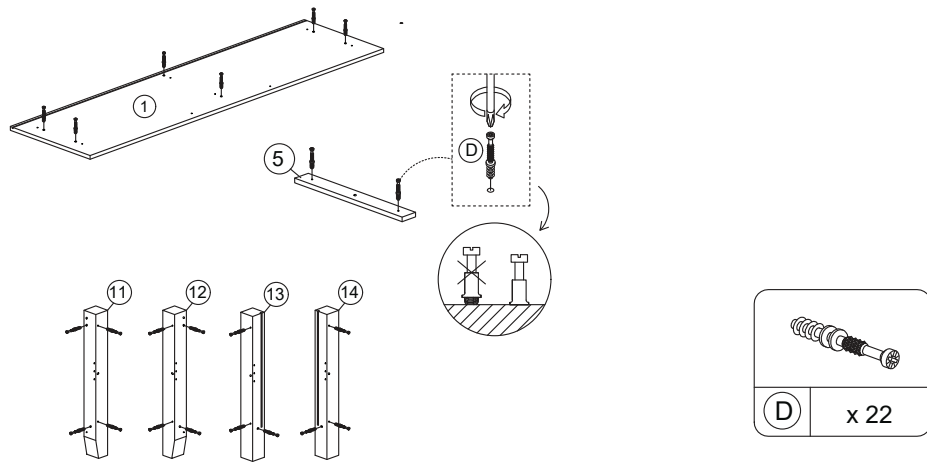
- *Keep all hardware parts out of reach of children!
- *Tighten screws periodically! With the use of this product bolts and screws may become loose over time!
- *Don't attempt to modify parts!



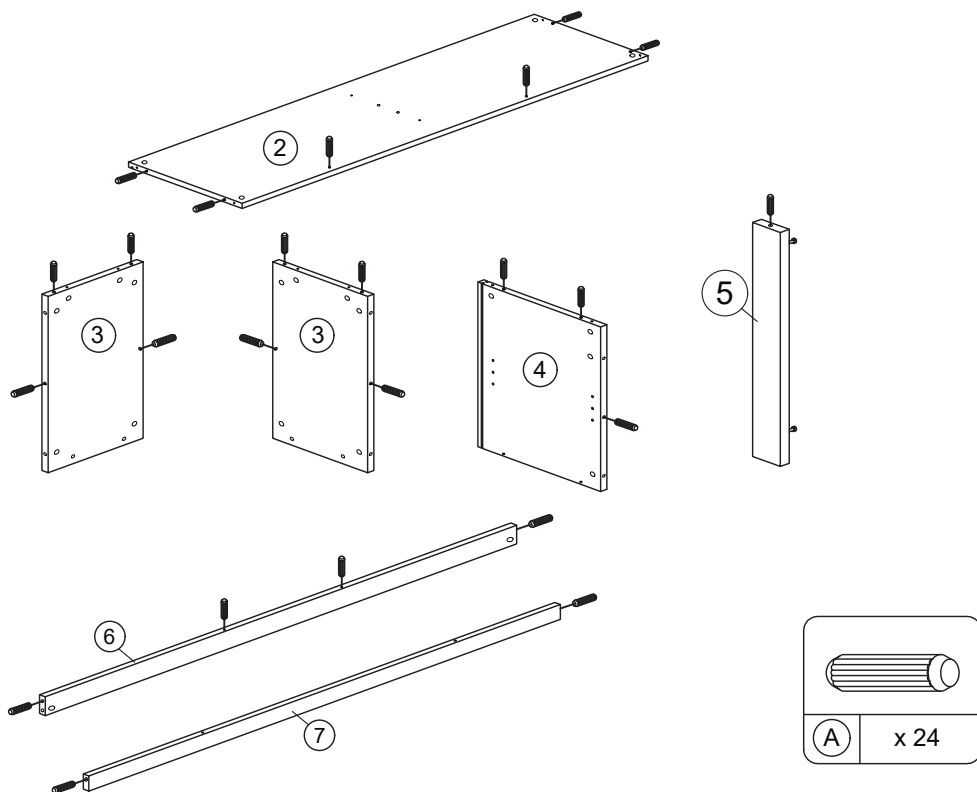
ASSEMBLY INSTRUCTIONS

ITEM NO.: I302-58M / 58R / 58B
TV STAND

STEP 1:



STEP 2:



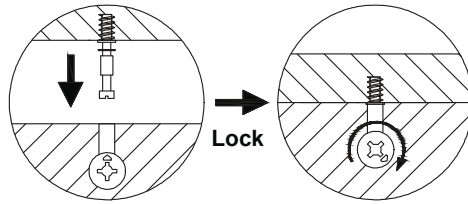
Cleaning instruction: Clean using soft cloth

Made in Malaysia

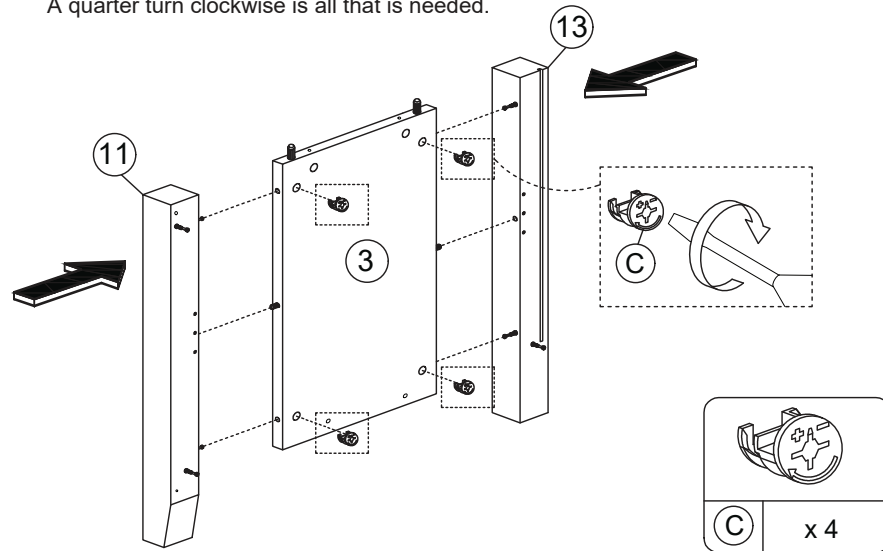
ASSEMBLY INSTRUCTIONS

ITEM NO.: I302-58M / 58R / 58B
TV STAND

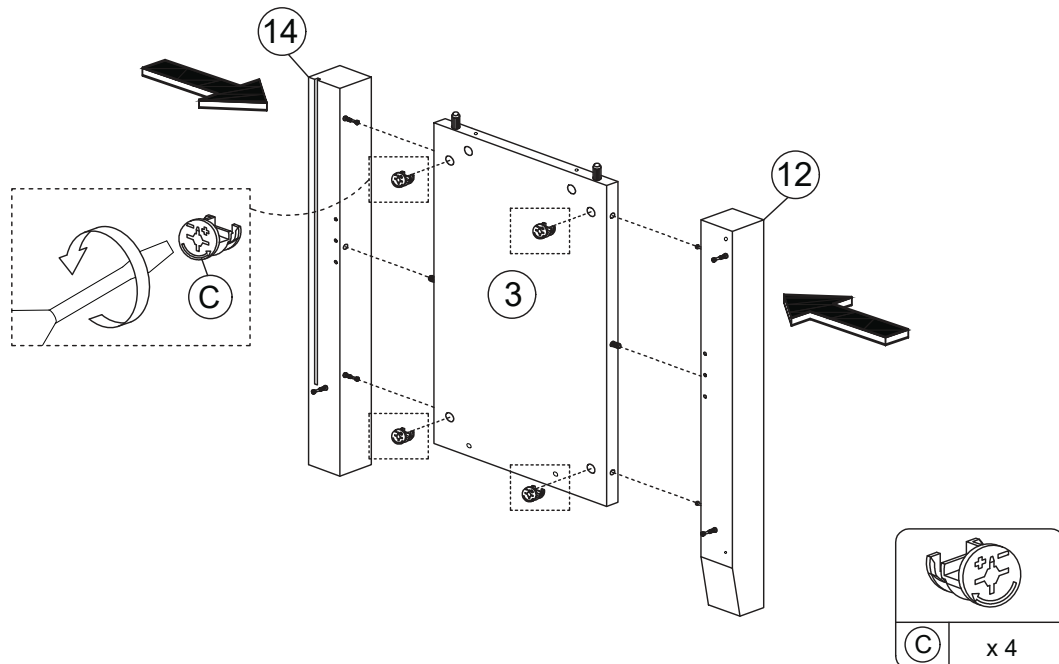
STEP 3:



Use a Screwdriver to tighten the cam nuts.
A quarter turn clockwise is all that is needed.



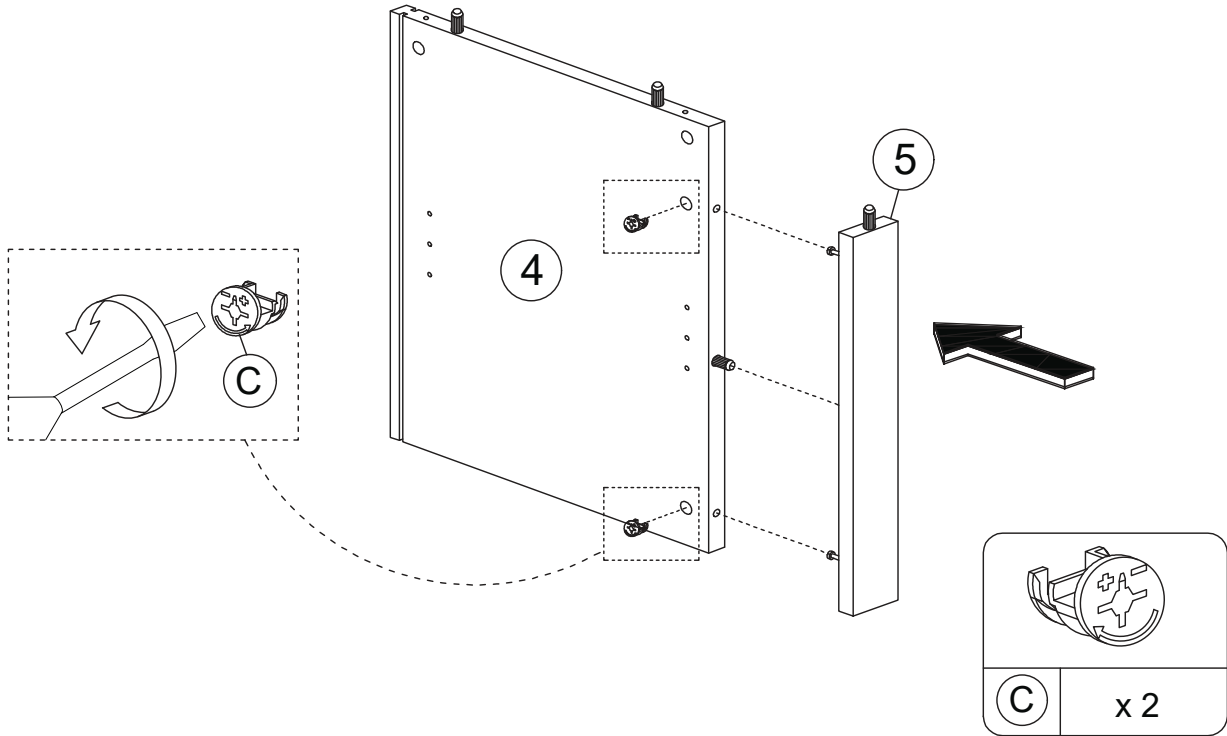
STEP 4:



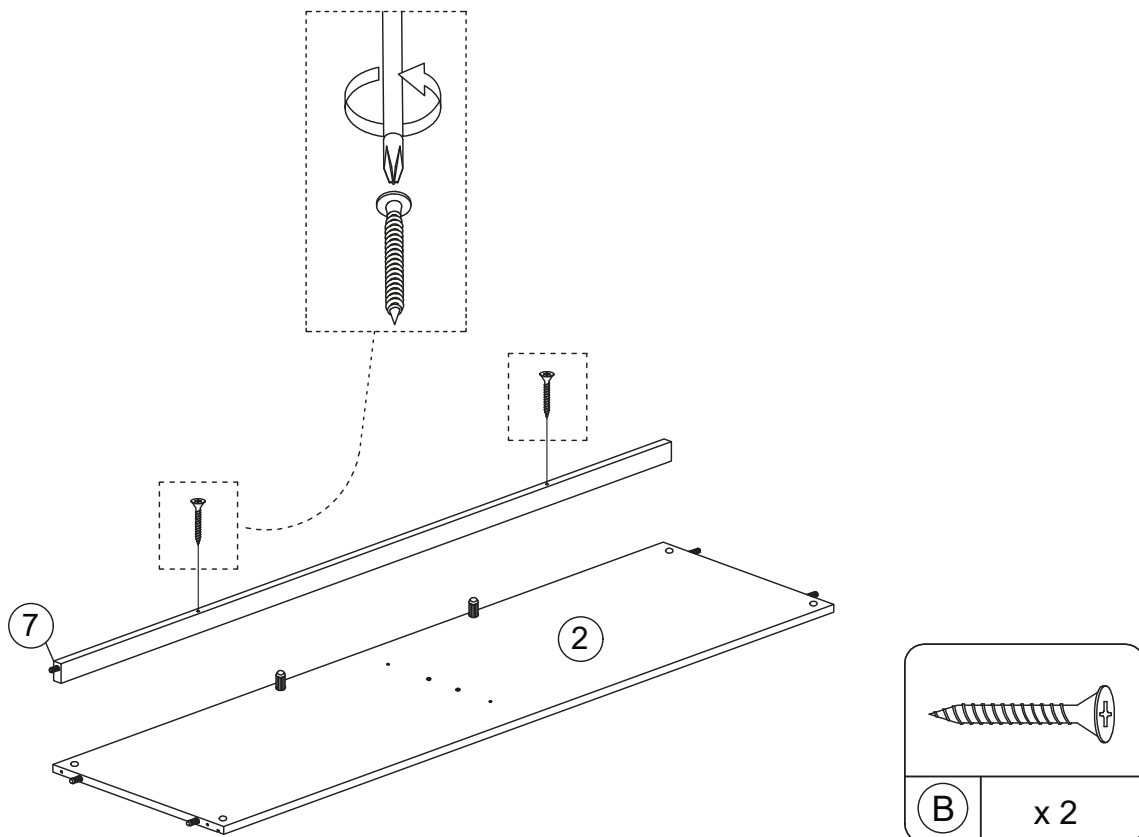
ASSEMBLY INSTRUCTIONS

ITEM NO.: I302-58M / 58R / 58B
TV STAND

STEP 5:



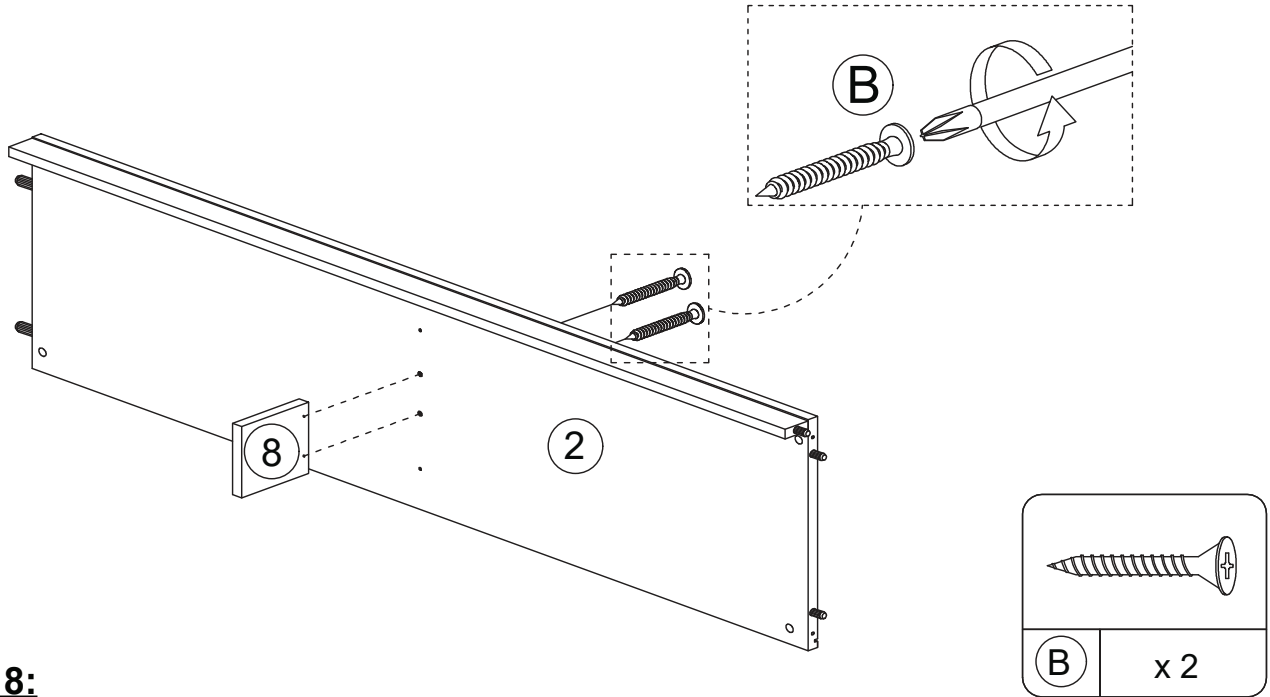
STEP 6:



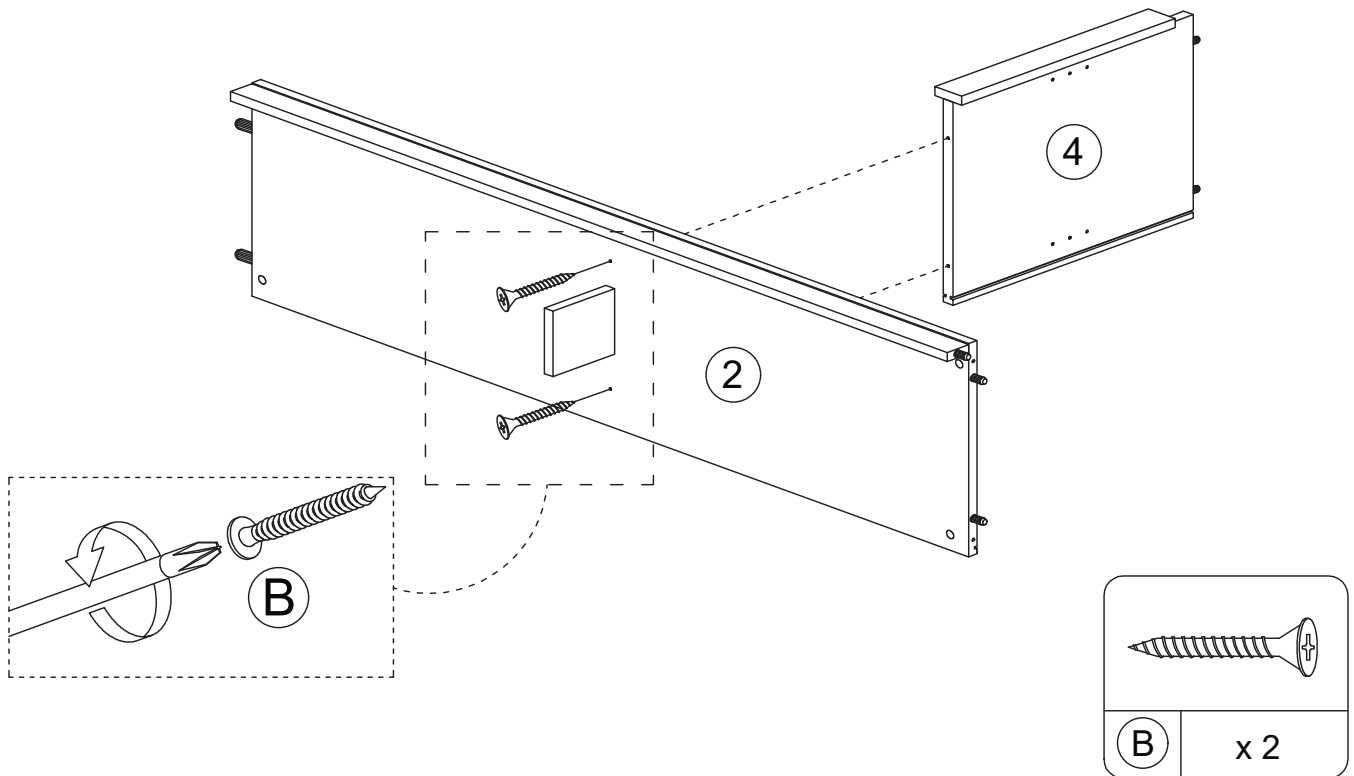
ASSEMBLY INSTRUCTIONS

ITEM NO.: I302-58M / 58R / 58B
TV STAND

STEP 7:



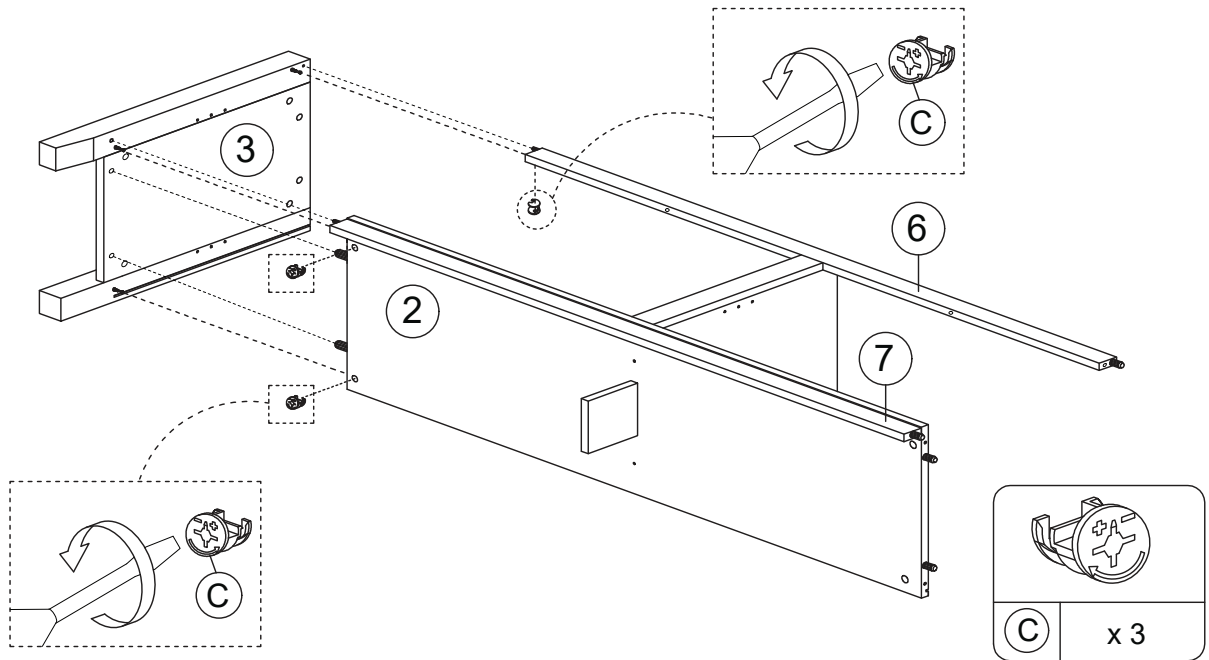
STEP 8:



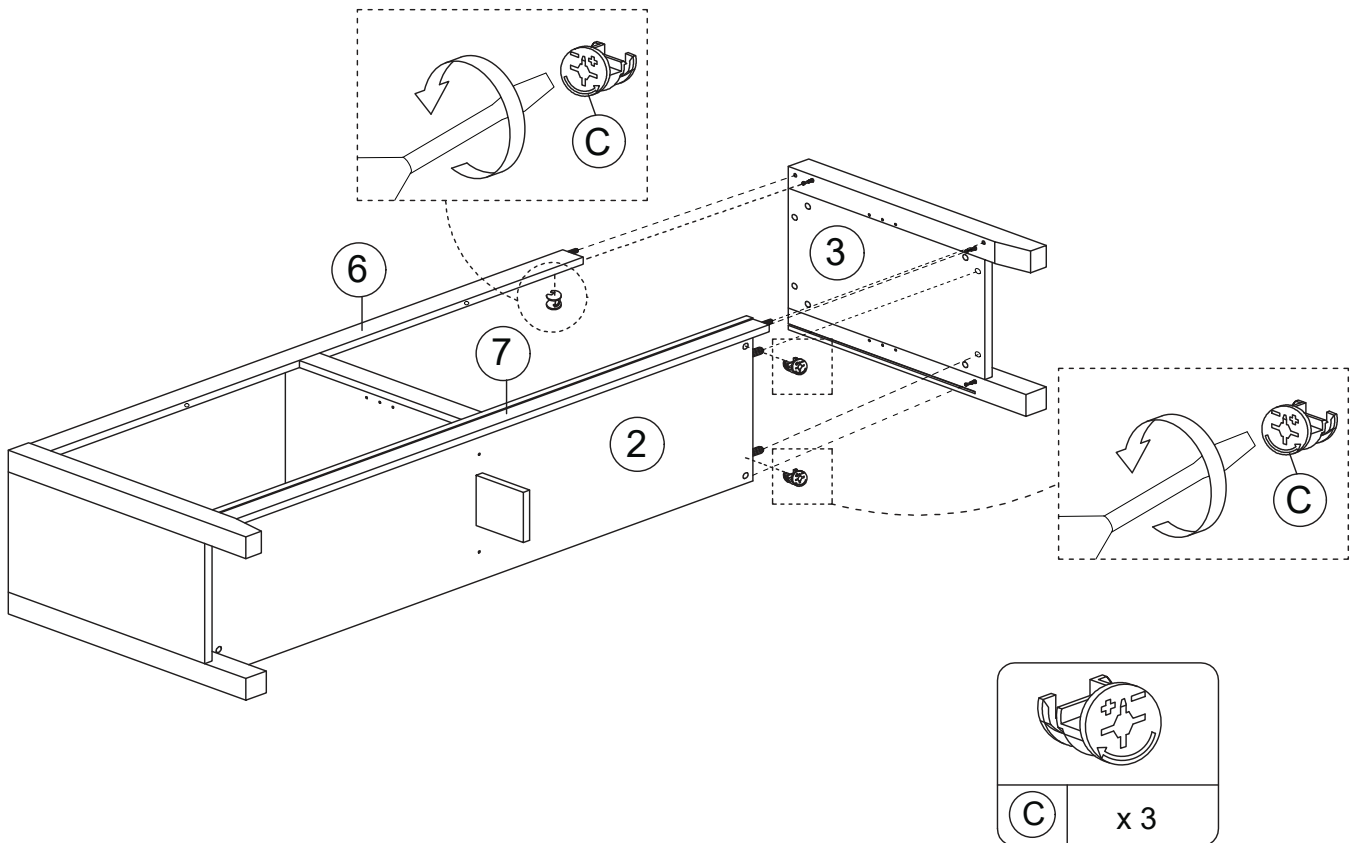
ASSEMBLY INSTRUCTIONS

ITEM NO.: I302-58M / 58R / 58B
TV STAND

STEP 9:



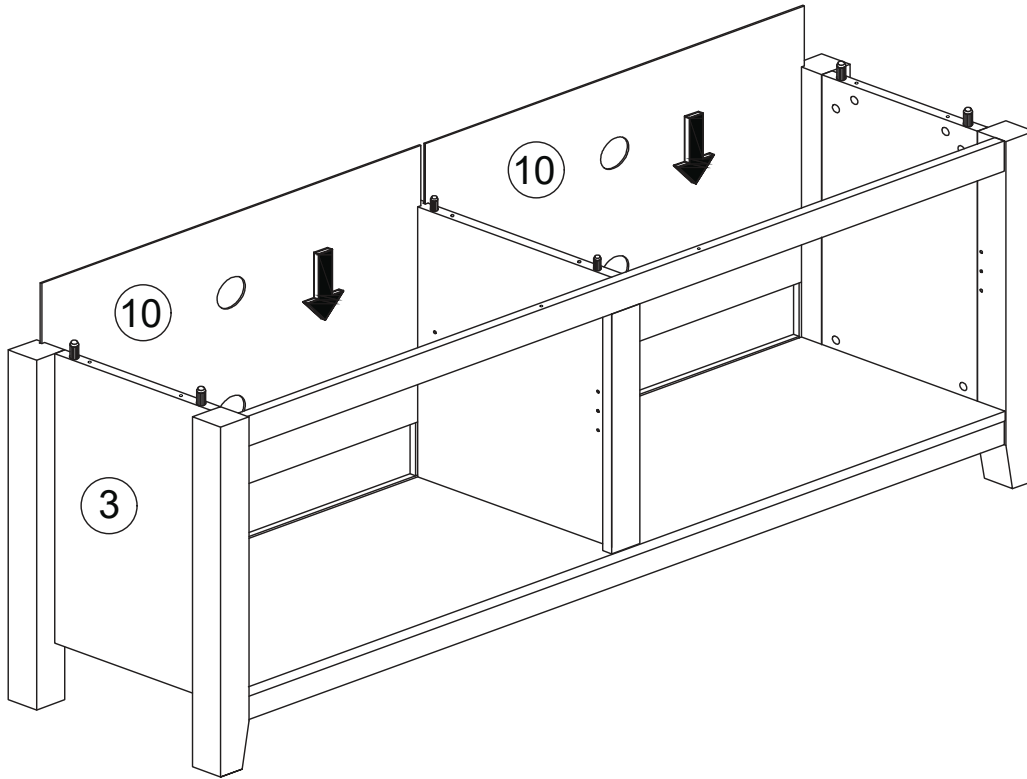
STEP 10:



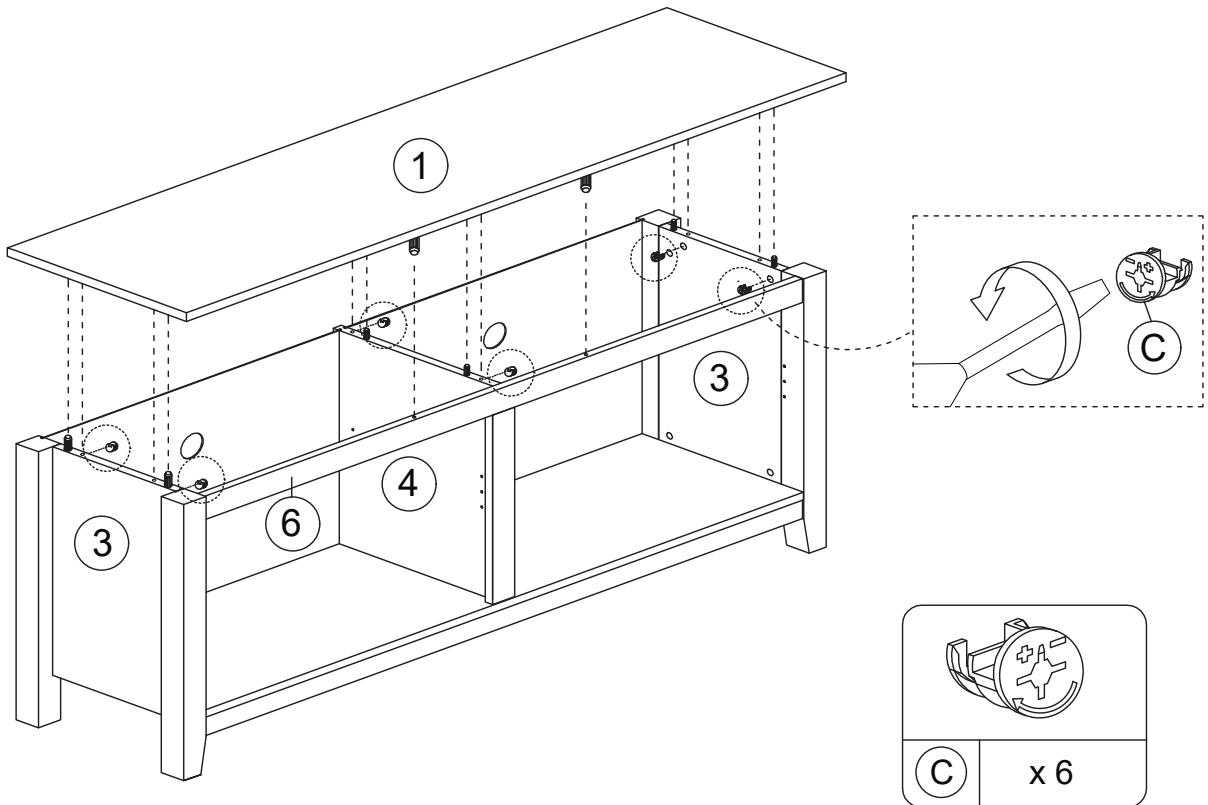
ASSEMBLY INSTRUCTIONS

ITEM NO.: I302-58M / 58R / 58B
TV STAND

STEP 11:



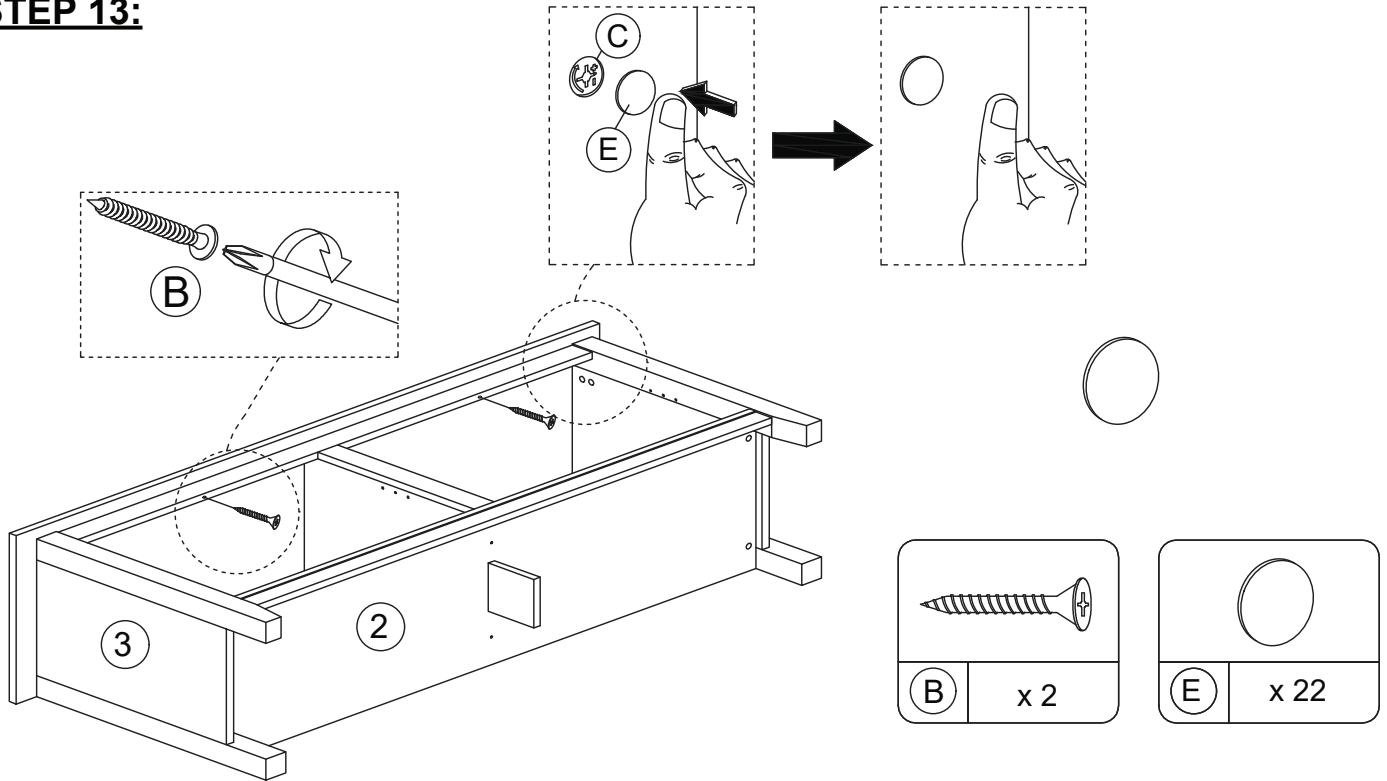
STEP 12:



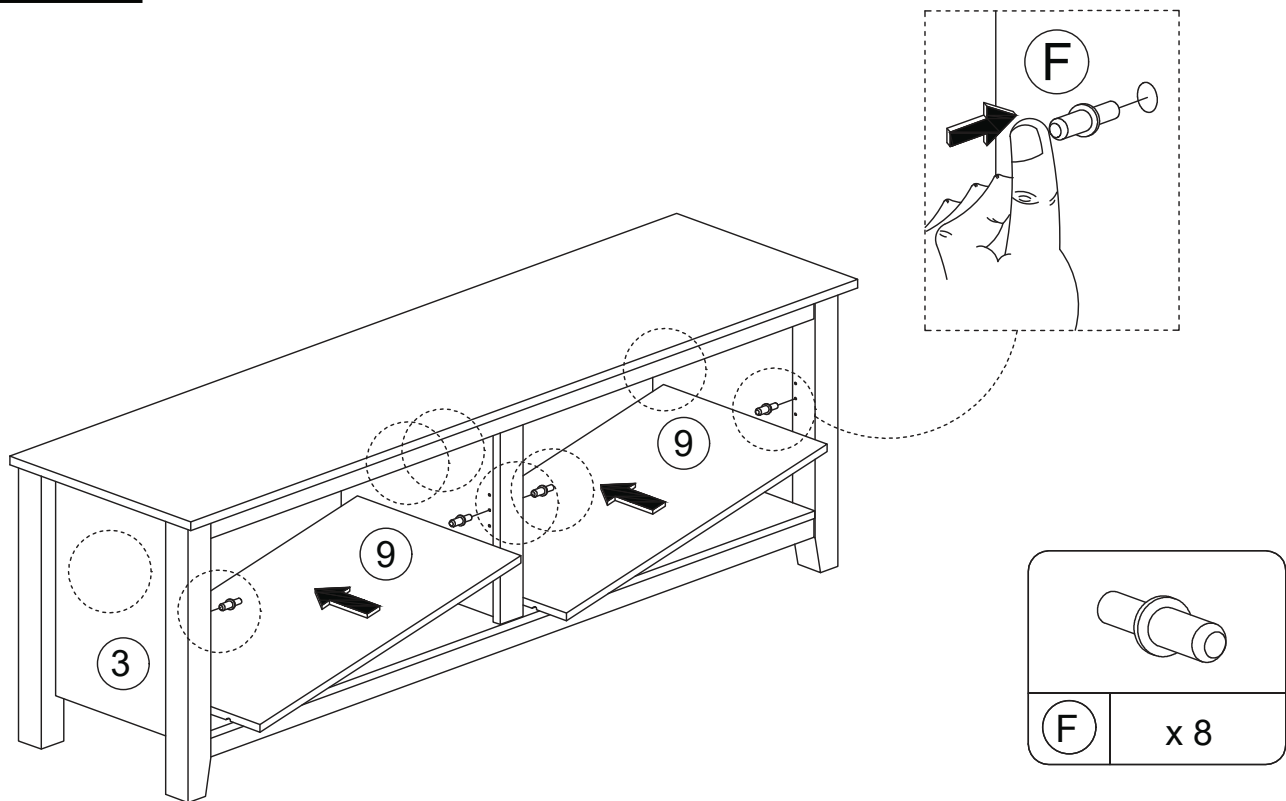
ASSEMBLY INSTRUCTIONS

ITEM NO.: I302-58M / 58R / 58B
TV STAND

STEP 13:



STEP 14:



Cleaning instruction: Clean using soft cloth

Made in Malaysia