






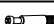



IMPORTANT NOTE:

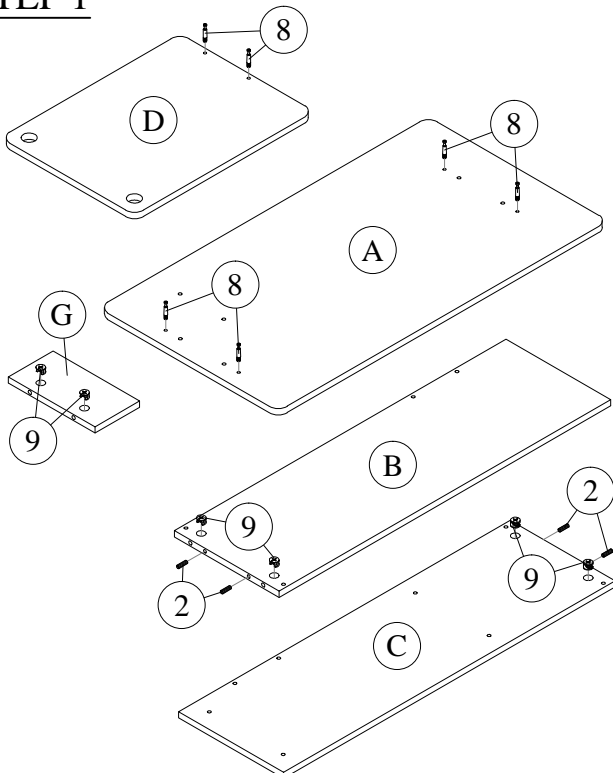
- Place all wooden parts on a clean and smooth surface such as a rug or carpet to avoid the parts from being scratched.
- Check to be sure that you have all parts and hardware.
- Remove all wrapping materials, including staples & packing straps before you start to assemble.
- Do not tighten all screws/bolts until all completely assembled.
- Keep all hardware parts out of reach of children.

Each Item

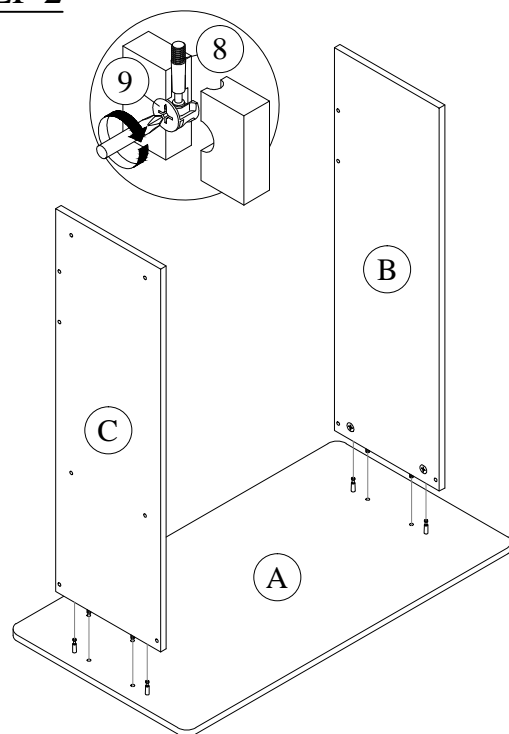
PARTS LIST		
NO	COMPONENT	QTY
A	TOP PANEL	1 PC
B	LEFT SIDE PANEL	1 PC
C	RIGHT SIDE PANEL	1 PC
D	SIDE TOP PANEL	1 PC
E	SHELF PANEL	2 PCS
F	BACK PANEL	1 PC
G	CENTER PANEL	1 PC
H	SKIRT PANEL	2 PCS

HARDWARE LIST			
NO	DESCRIPTION		QTY
1	SCREW		14 PCS
2	WOODEN DOWEL		4 PCS
3	NAIL LEG		4 PCS
4	LONG POLE		2 PCS
5	SHORT POLE		2 PCS
6	LEG		2 PCS
7	CAP		2 PCS
8	CAM-LOCK SCREW		6 PCS
9	CAM-LOCK NUT		6 PCS

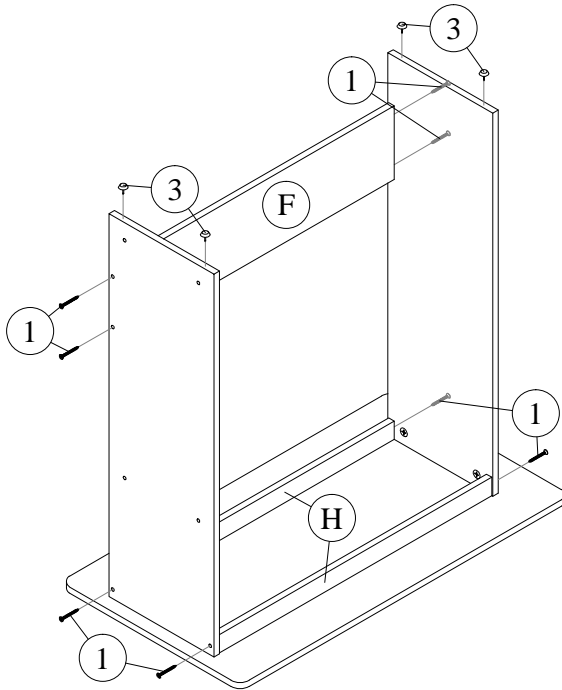
STEP 1



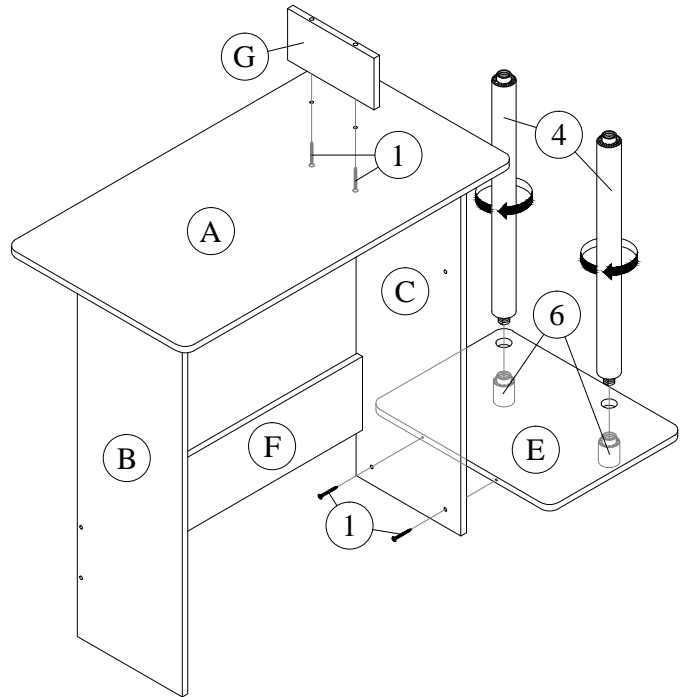
STEP 2



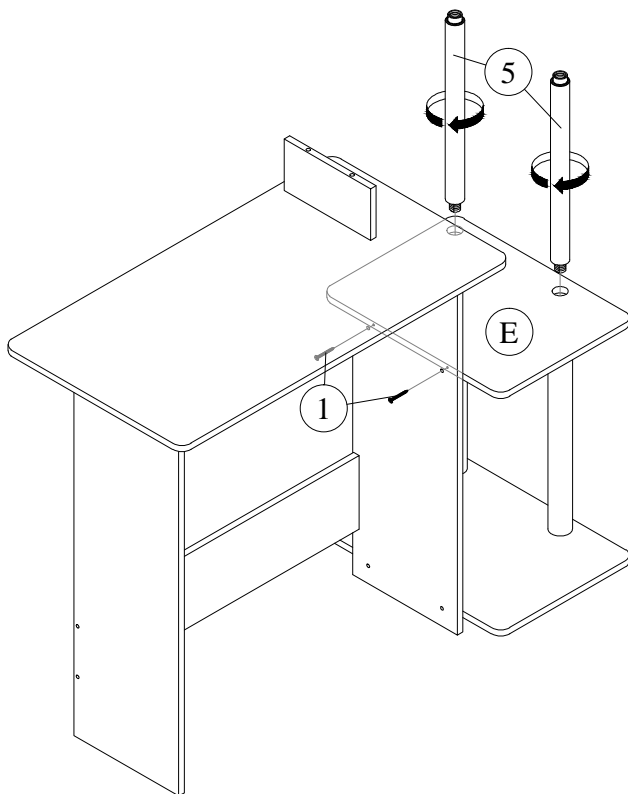
STEP 3



STEP 4



STEP 5



STEP 6

