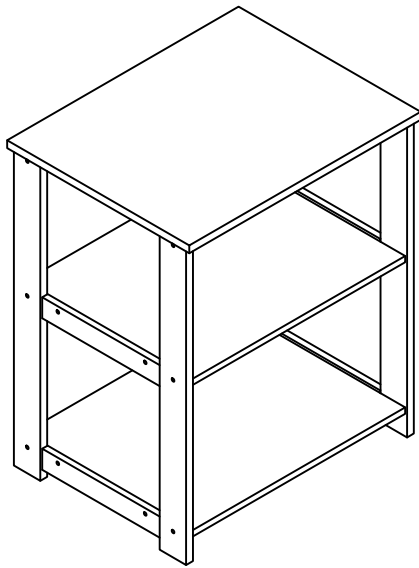


GEOHOME®
ART WITH AN ATTITUDE

ASSEMBLY INSTRUCTION

Item No: I200-45

Description: 3 TIER NIGHTSTAND






IMPORTANT NOTE:

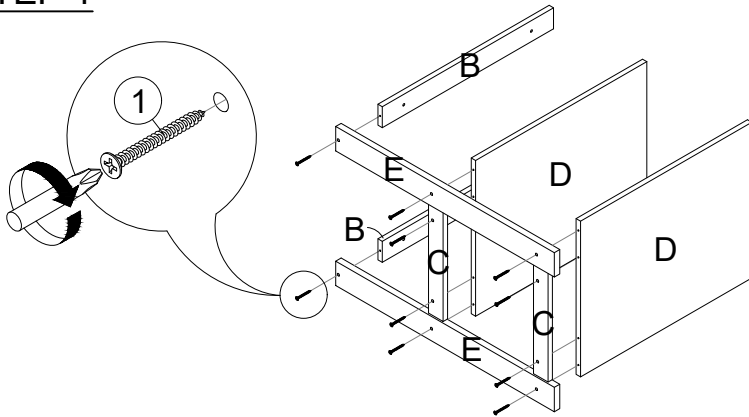
- Place all wooden parts on a clean and smooth surface such as a rug or carpet to avoid the parts from being scratched.
- Check to be sure that you have all parts and hardware.
- Remove all wrapping materials, including staples & packing straps before you start to assemble.
- Do not tighten all screws/bolts until all completely assembled.
- Keep all hardware parts out of reach of children.

Each Item

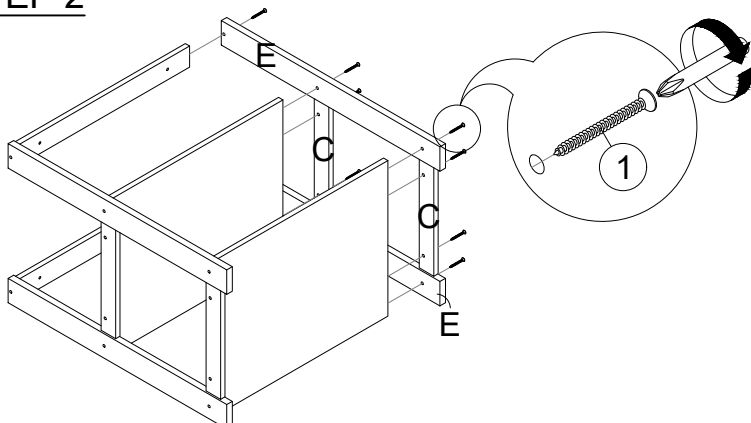
PARTS LIST		
NO	COMPONENT	QTY
A	TOP PANEL	1 PC
B	TOP SUPPORT PANEL	2 PCS
C	SUPPORT PANEL	4 PCS
D	SHELF PANEL	2 PCS
E	LEG PANEL	4 PCS

HARDWARE LIST		
NO	DESCRIPTION	QTY
1	40MM CSK SCREW 	20 PCS
2	3/4" PH TAPPING SCREW 	4 PCS
3	STICKER 	20 PCS

STEP 1



STEP 2



STEP 3

