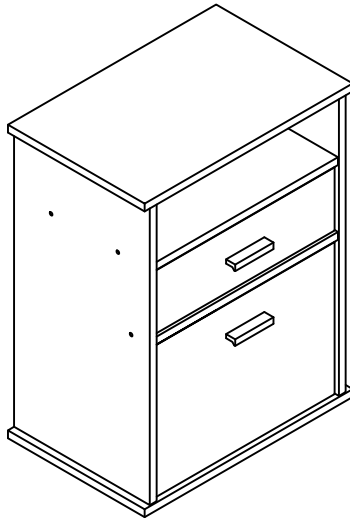


GEOHOME®
ART WITH AN ATTITUDE

ASSEMBLY INSTRUCTION

Item No: I200-44

Description: NIGHTSTAND W / 2 DRAWERS










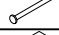



IMPORTANT NOTE:

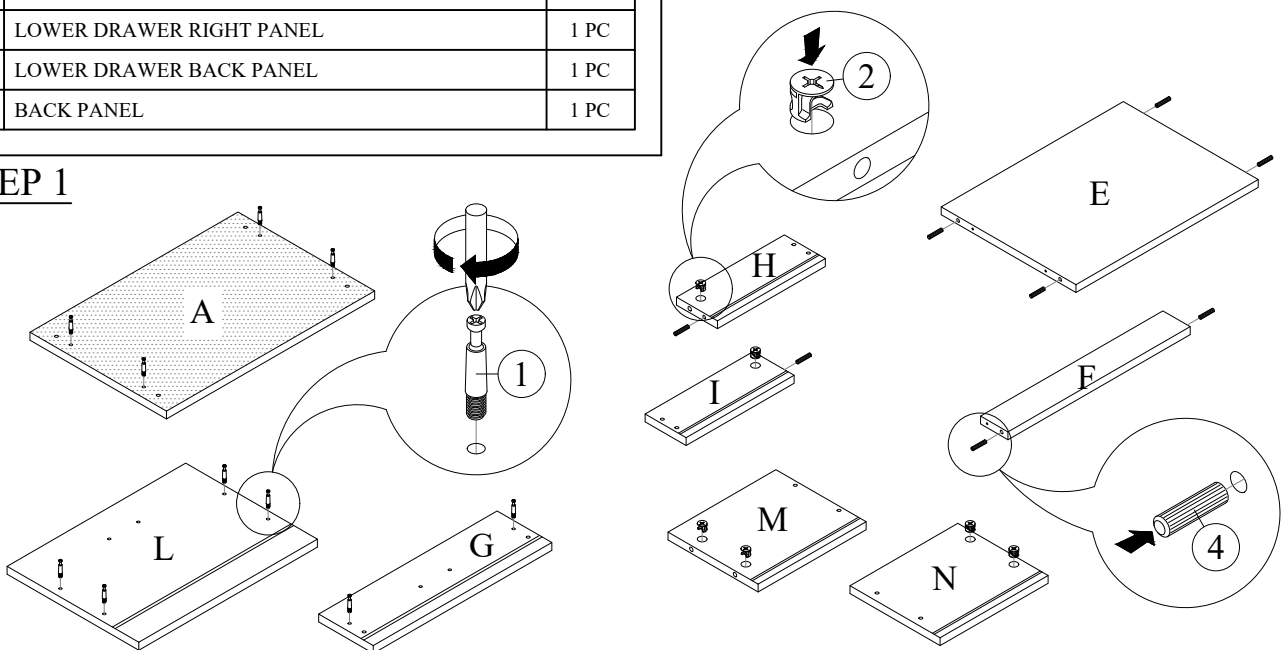
- Place all wooden parts on a clean and smooth surface such as a rug or carpet to avoid the parts from being scratched.
- Check to be sure that you have all parts and hardware.
- Remove all wrapping materials, including staples & packing straps before you start to assemble.
- Do not tighten all screws/bolts until all completely assembled.
- Keep all hardware parts out of reach of children.

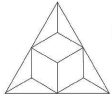
Each Item

| PARTS LIST | | |
|------------|--------------------------|-------|
| NO | COMPONENT | QTY |
| A | TOP PANEL | 1 PC |
| B | LEFT SIDE PANEL | 1 PC |
| C | RIGHT SIDE PANEL | 1 PC |
| D | BOTTOM PANEL | 1 PC |
| E | SHELF PANEL | 1 PC |
| F | SUPPORT PANEL | 1 PC |
| G | TOP DRAWER FACE PANEL | 1 PC |
| H | TOP DRAWER LEFT PANEL | 1 PC |
| I | TOP DRAWER RIGHT PANEL | 1 PC |
| J | TOP DRAWER BACK PANEL | 1 PC |
| K | DRAWER BASE PANEL | 2 PCS |
| L | LOWER DRAWER FACE PANEL | 1 PC |
| M | LOWER DRAWER LEFT PANEL | 1 PC |
| N | LOWER DRAWER RIGHT PANEL | 1 PC |
| O | LOWER DRAWER BACK PANEL | 1 PC |
| P | BACK PANEL | 1 PC |

| HARDWARE LIST | | |
|---------------|--|--------|
| NO | DESCRIPTION | QTY |
| 1 | CAM-SCREW  | 10 PCS |
| 2 | CAM-LOCK  | 10 PCS |
| 3 | 45MM C/B SCREW  | 18 PCS |
| 4 | 30MM WOODEN DOWEL  | 16 PCS |
| 5 | 12MM C/B SCREW  | 20 PCS |
| 6 | DRAWER SLIDE  6A 6B | 2 SETS |
| 7 | DOOR HANDLE  | 2 PCS |
| 8 | 23MM PH TAPPING SCREW  | 4 PCS |
| 9 | LEG WITH PLUG  | 4 PCS |
| 10 | NAIL  | 18 PCS |
| 11 | STICKER  | 6 PCS |

STEP 1





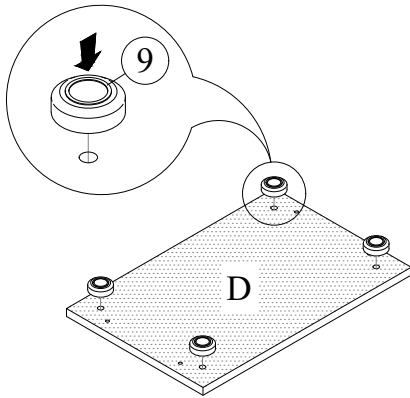
GEOHOME®
ART WITH AN ATTITUDE

ASSEMBLY INSTRUCTION

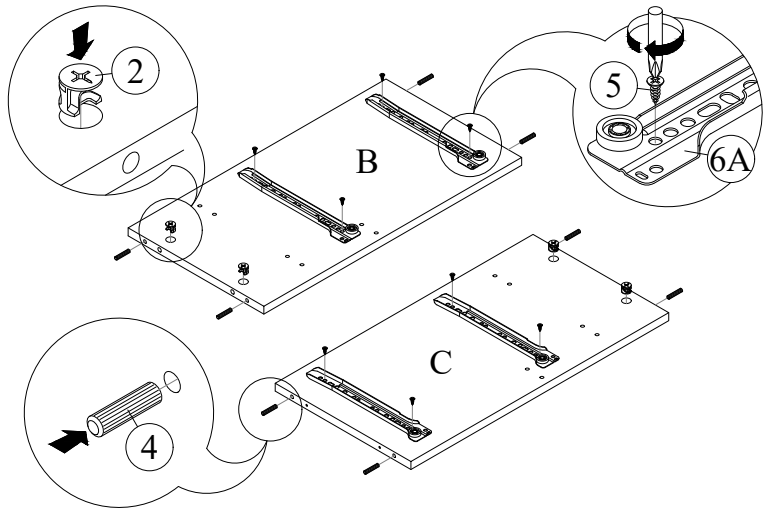
Item No: I200-44

Description: NIGHTSTAND W / 2 DRAWERS

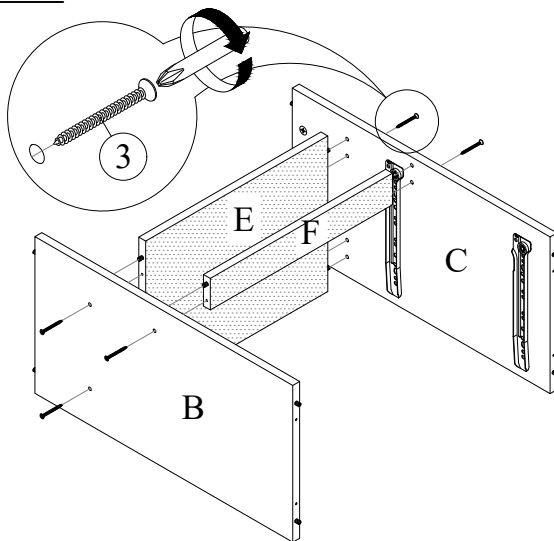
STEP 2



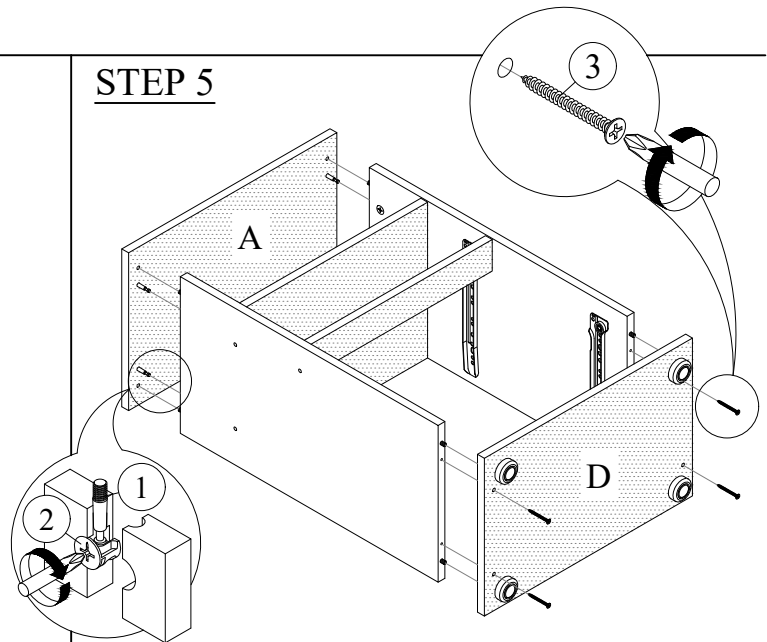
STEP 3



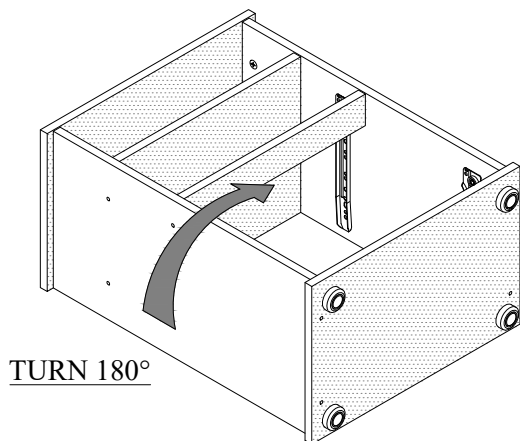
STEP 4



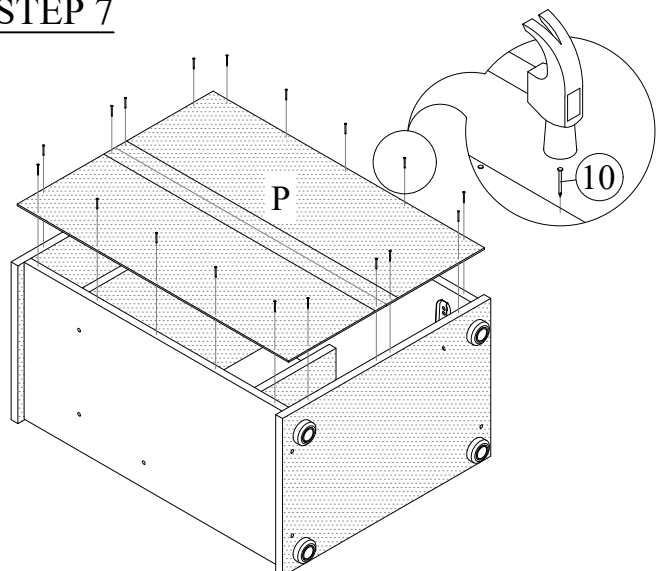
STEP 5

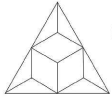


STEP 6



STEP 7





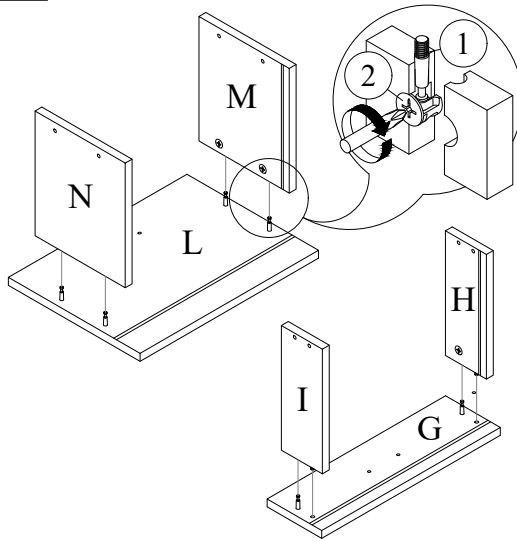
GEOHOME[®]
ART WITH AN ATTITUDE

ASSEMBLY INSTRUCTION

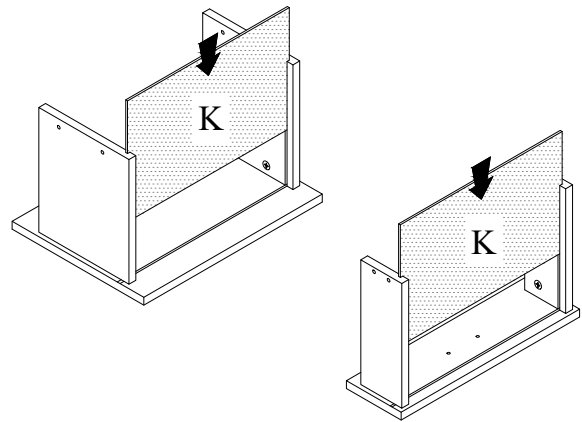
Item No: I200-44

Description: NIGHTSTAND W / 2 DRAWERS

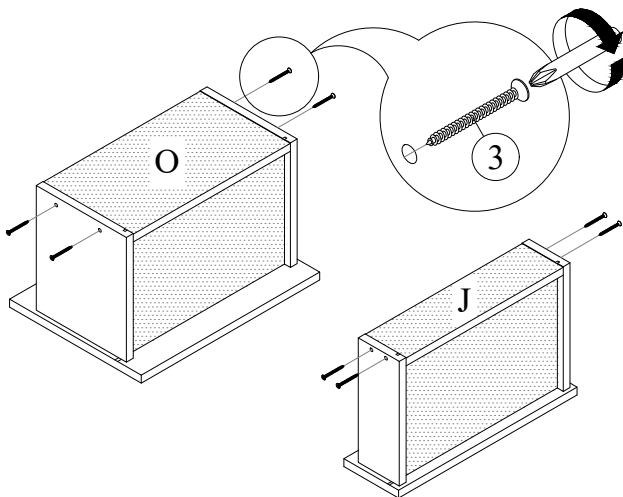
STEP 8



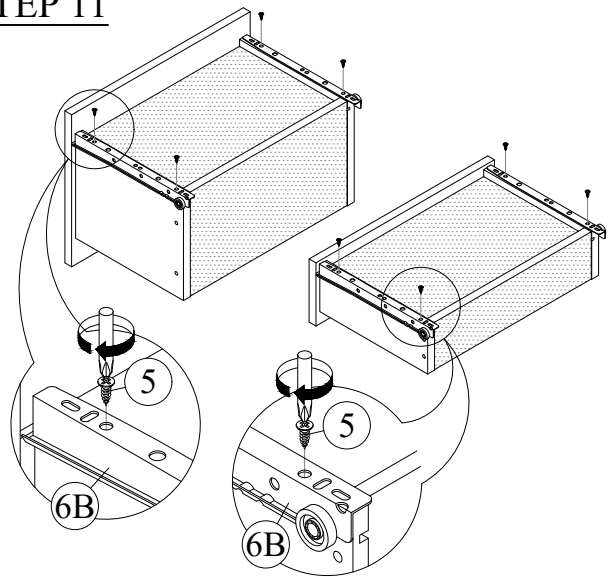
STEP 9



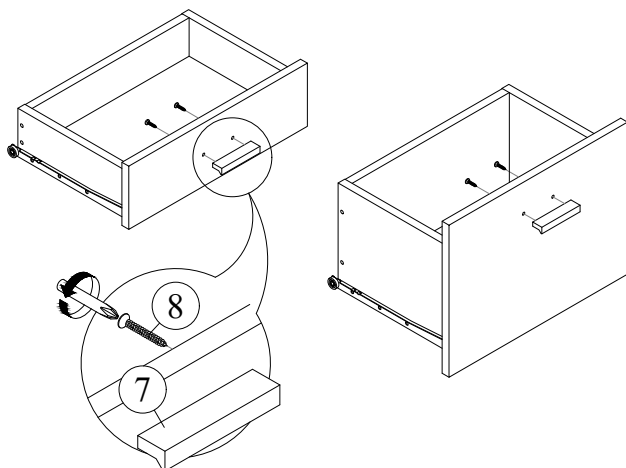
STEP 10



STEP 11



STEP 12



STEP 13

