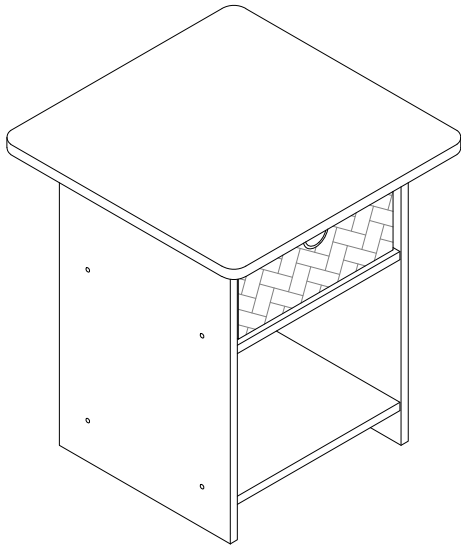


GEOHOME®
ART WITH AN ATTITUDE

ASSEMBLY INSTRUCTION

Item No: I 200-42

Description: NIGHTSTAND W / DRAWER



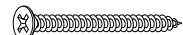






IMPORTANT NOTE:

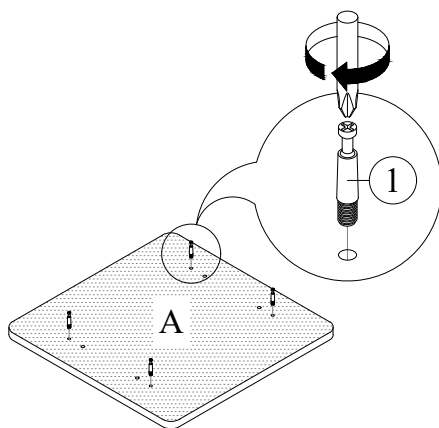
- Place all wooden parts on a clean and smooth surface such as a rug or carpet to avoid the parts from being scratched.
- Check to be sure that you have all parts and hardware.
- Remove all wrapping materials, including staples & packing straps before you start to assemble.
- Do not tighten all screws/bolts until all completely assembled.
- Keep all hardware parts out of reach of children.

Each Item

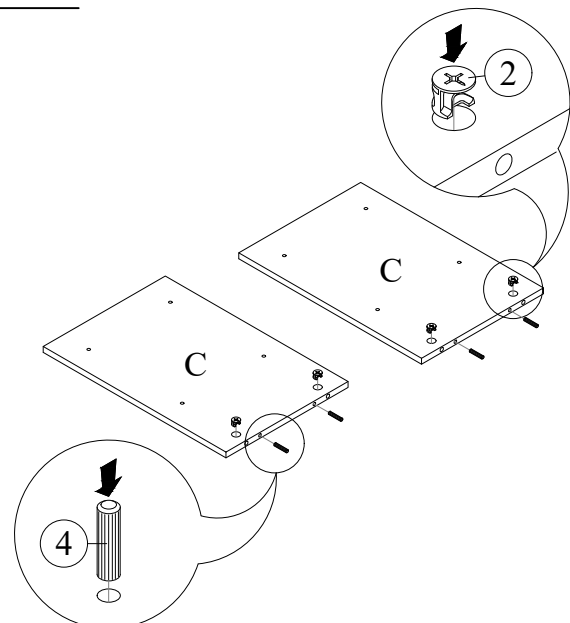
PARTS LIST		
NO	COMPONENT	QTY
A	TOP PANEL	1 PC
B	SHELF PANEL	2 PCS
C	SIDE PANEL	2 PCS

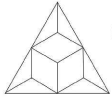
HARDWARE LIST		
NO	DESCRIPTION	QTY
1	CAM-SCREW 	4 PCS
2	CAM-LOCK 	4 PCS
3	C/B SCREW M4 x 38MM 	8 PCS
4	WOODEN DOWEL M6 x 30MM 	4 PCS
5	NAIL LEG 	4 PCS
6	BIN 	1 PC
7	STICKER 	8 PCS

STEP 1



STEP 2





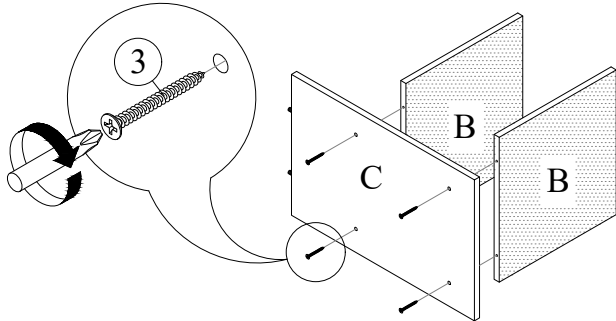
GEOHOME®
ART WITH AN ATTITUDE

ASSEMBLY INSTRUCTION

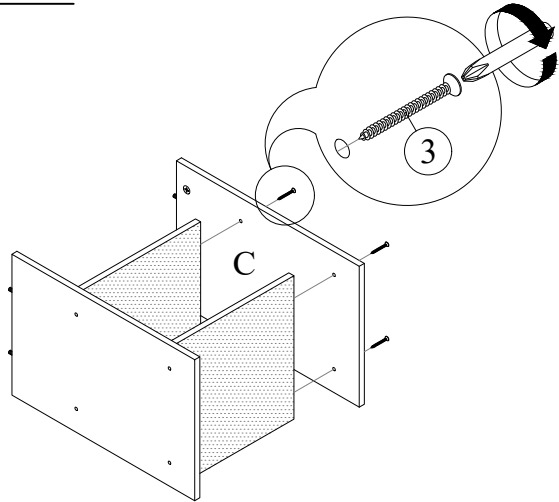
Item No: I 200-42

Description: NIGHTSTAND W / DRAWER

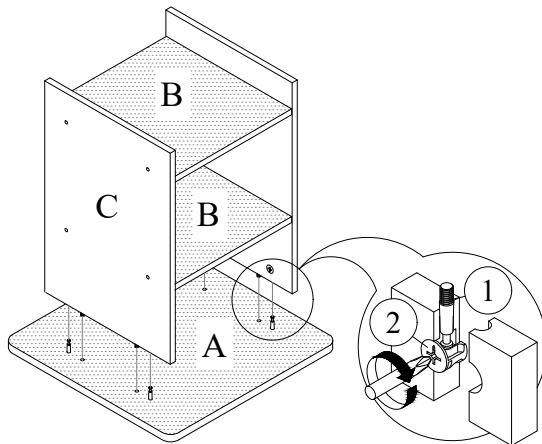
STEP 3



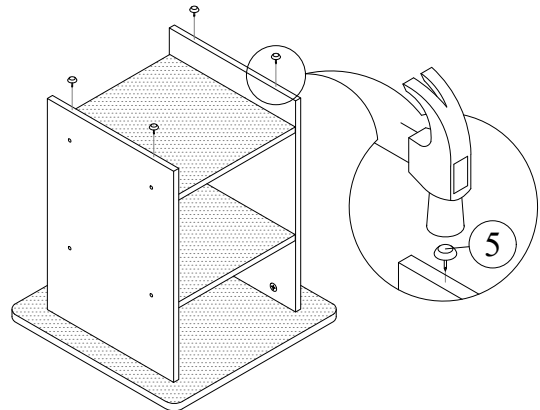
STEP 4



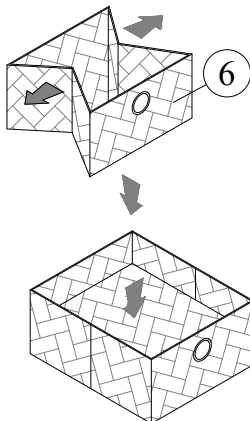
STEP 5



STEP 6



STEP 5



STEP 6

