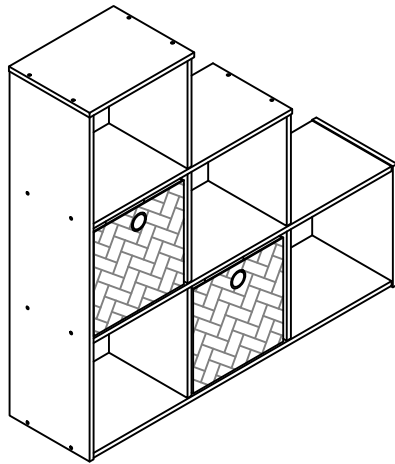


GEOHOME[®]
ART WITH AN ATTITUDE

ASSEMBLY INSTRUCTION

Item No: I 170-83

Description: 3-2-1 CUBE ORGANIZER (2 BINS)




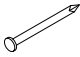
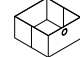



IMPORTANT NOTE:

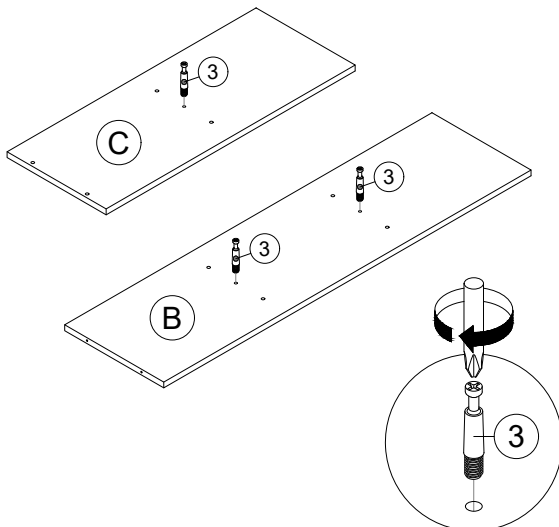
- Place all wooden parts on a clean and smooth surface such as a rug or carpet to avoid the parts from being scratched.
- Check to be sure that you have all parts and hardware.
- Remove all wrapping materials, including staples & packing straps before you start to assemble.
- Do not tighten all screws/bolts until all completely assembled.
- Keep all hardware parts out of reach of children.

Each Item

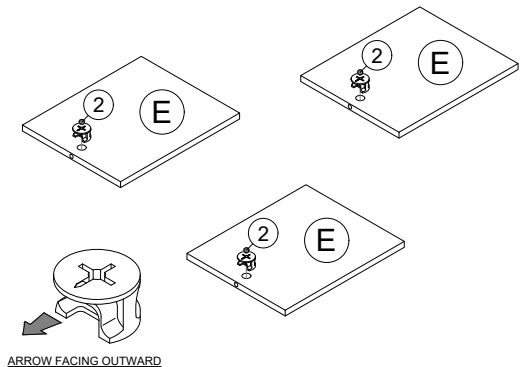
PARTS LIST		
NO	COMPONENT	QTY
A	LEFT SIDE PANEL	1 PC
B	BOTTOM PANEL	2 PCS
C	CENTER SHELF PANEL	1 PC
D	BOTTOM DIVIDER PANEL	2 PCS
E	UPPER DIVIDER PANEL	3 PCS
F	TOP / RIGHT SIDE PANEL	2 PCS
G	LARGE BACK PANEL	1 PC
H	SMALL BACK PANEL	2 PCS

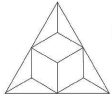
HARDWARE LIST		
NO	DESCRIPTION	QTY
1	CHIPBOARD SCREW M4 x 38MM 	26 PCS
2	CAM-LOCK 	3 PCS
3	CAM-SCREW 	3 PCS
4	NAIL 	46 PCS
5	BIN 	2 PCS
6	STICKER 	20 PCS

STEP 1



STEP 2





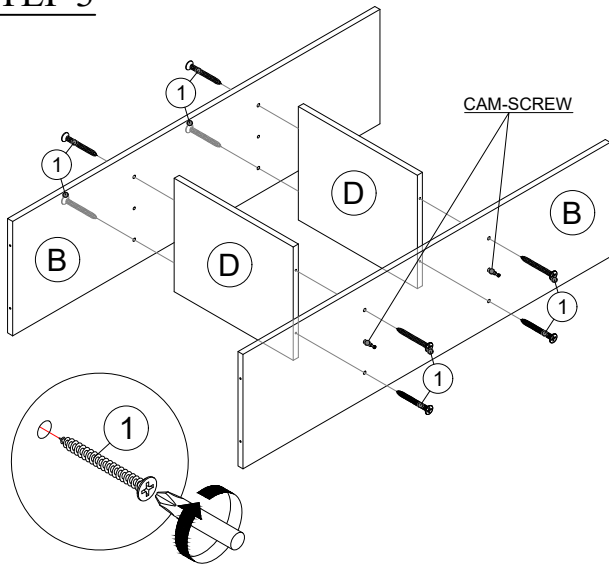
GEOHOME[®]
ART WITH AN ATTITUDE

ASSEMBLY INSTRUCTION

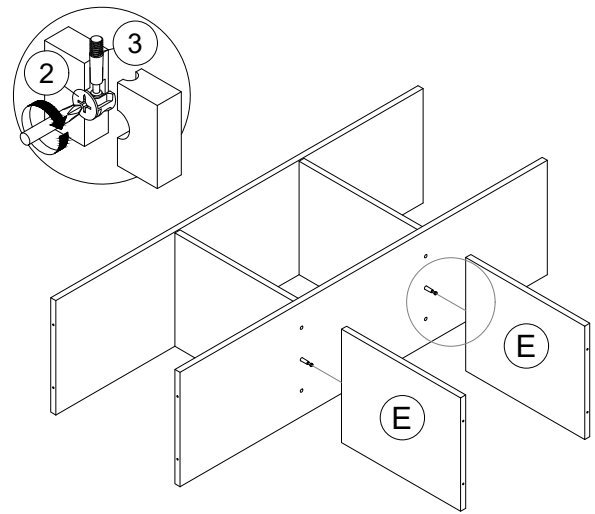
Item No: I 170-83

Description: 3-2-1 CUBE ORGANIZER (2 BINS)

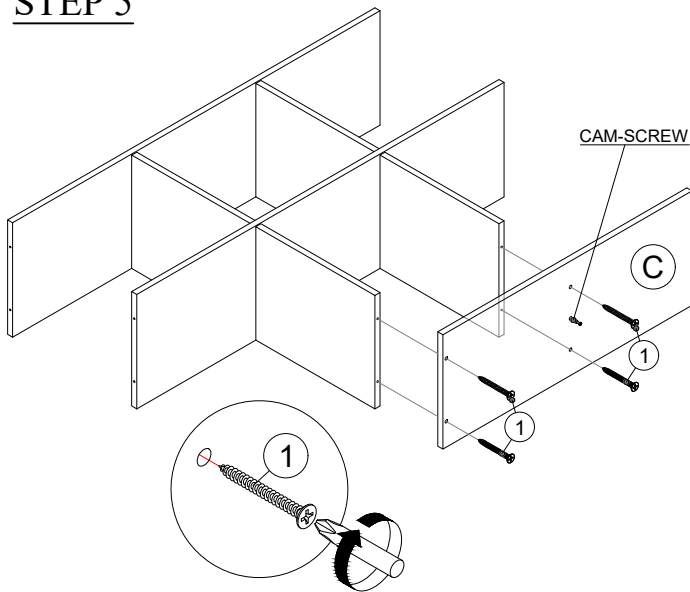
STEP 3



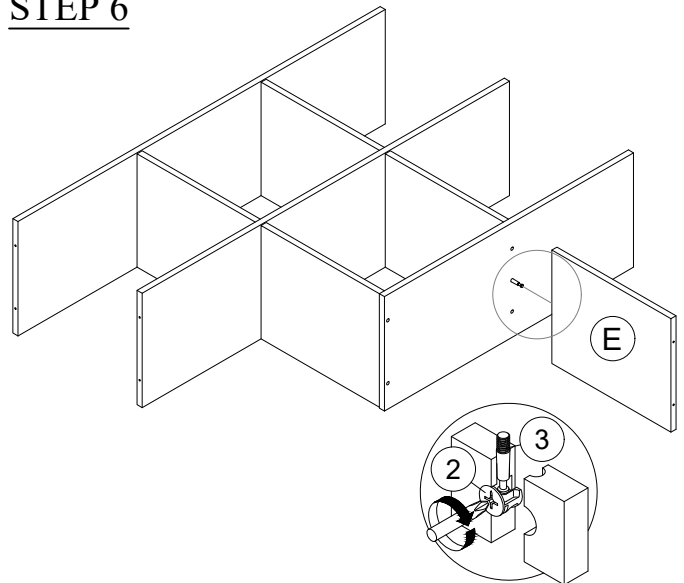
STEP 4



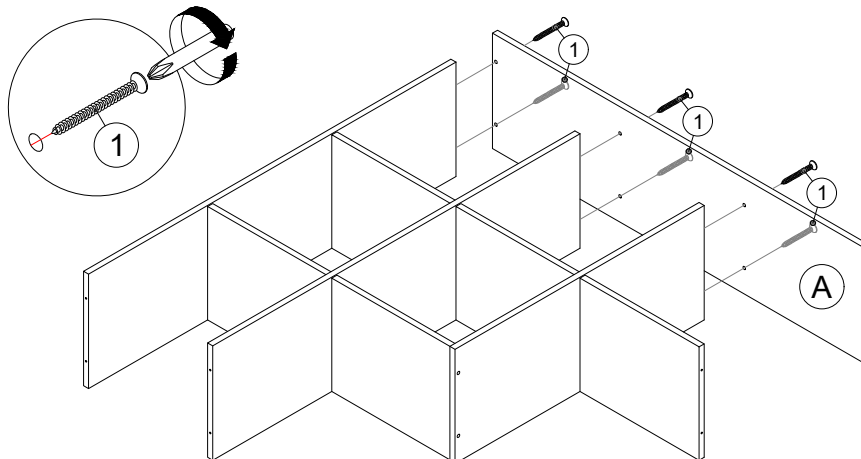
STEP 5

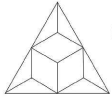


STEP 6



STEP 7





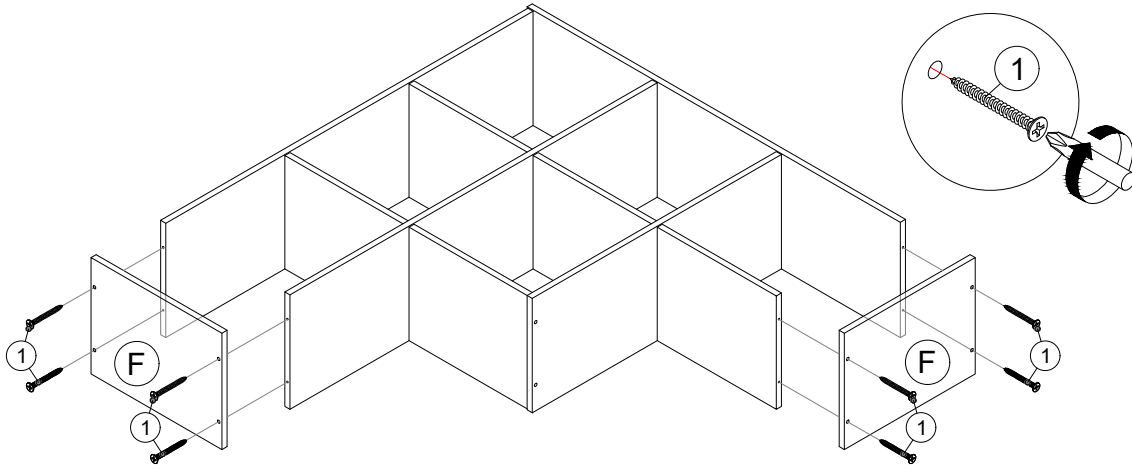
GEOHOME[®]
ART WITH AN ATTITUDE

ASSEMBLY INSTRUCTION

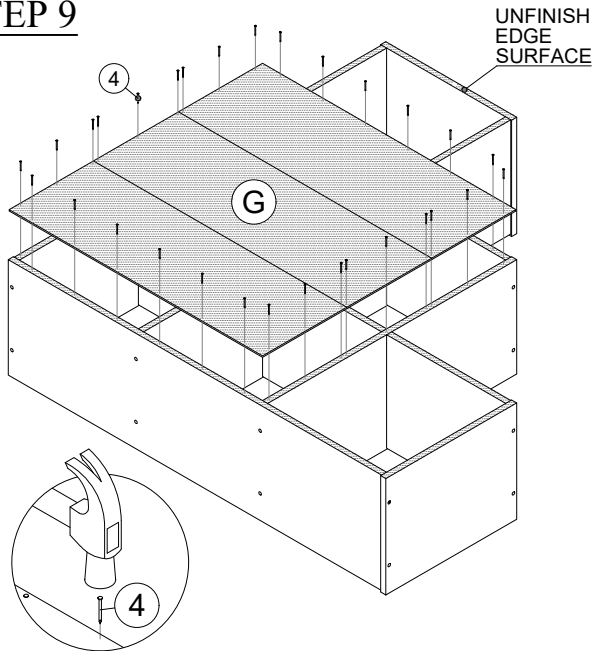
Item No: I 170-83

Description: 3-2-1 CUBE ORGANIZER (2 BINS)

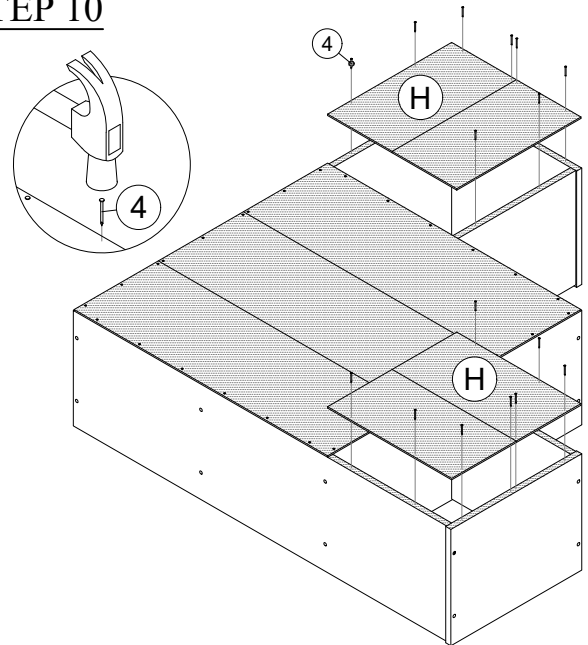
STEP 8



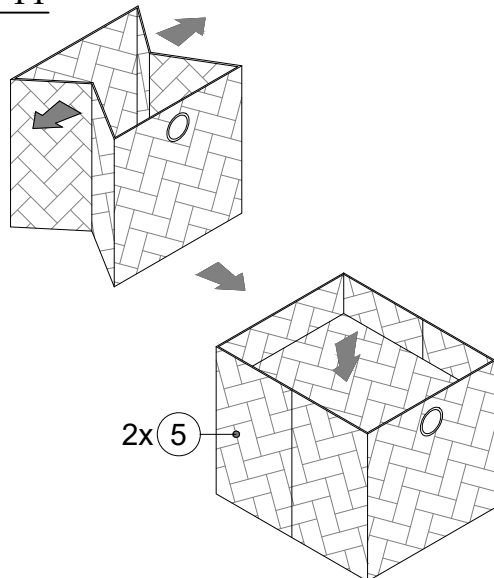
STEP 9



STEP 10



STEP 11



STEP 12

