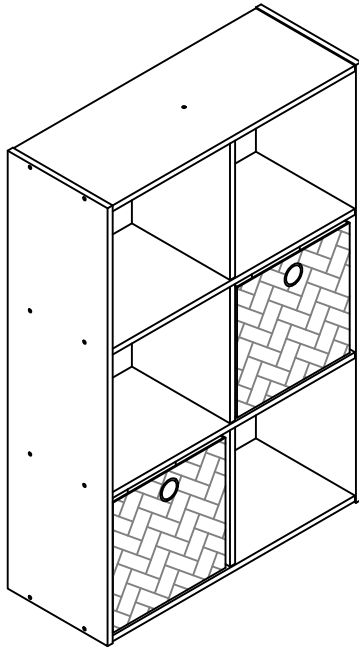


GEOHOME®
ART WITH AN ATTITUDE

ASSEMBLY INSTRUCTION

Item No: I 170-81

Description: 6 CUBE ORGANIZER (2 BINS)





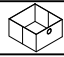



IMPORTANT NOTE:

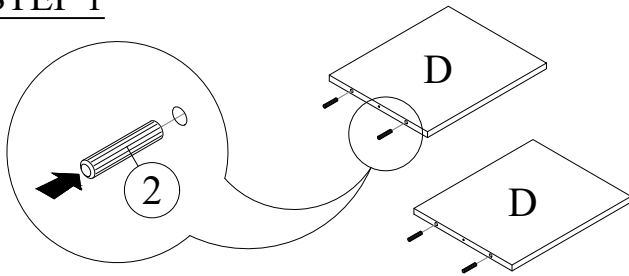
- Place all wooden parts on a clean and smooth surface such as a rug or carpet to avoid the parts from being scratched.
- Check to be sure that you have all parts and hardware.
- Remove all wrapping materials, including staples & packing straps before you start to assemble.
- Do not tighten all screws/bolts until all completely assembled.
- Keep all hardware parts out of reach of children.

Each Item

PARTS LIST		
NO	COMPONENT	QTY
A	SIDE PANEL	2 PCS
B	TOP / BOTTOM PANEL	2 PCS
C	SHELF PANEL	2 PCS
D	DIVIDER PANEL	3 PCS
E	BACK PANEL	1 PC

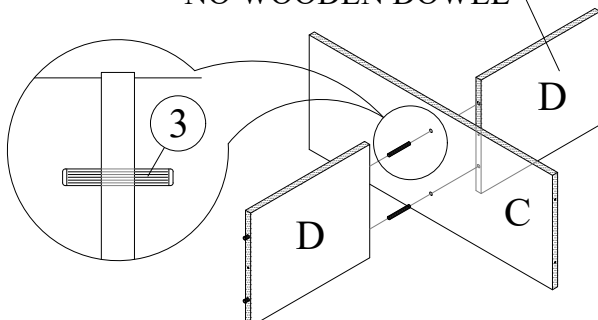
HARDWARE LIST		
NO	DESCRIPTION	QTY
1	C/B SCREW M4 x 38MM 	18 PCS
2	WOODEN DOWEL M6 x 30MM 	4 PCS
3	WOODEN DOWEL M6 x 50MM 	4 PCS
4	NAIL 	24 PCS
5	BIN 	2 PCS
6	STICKER 	18 PCS

STEP 1

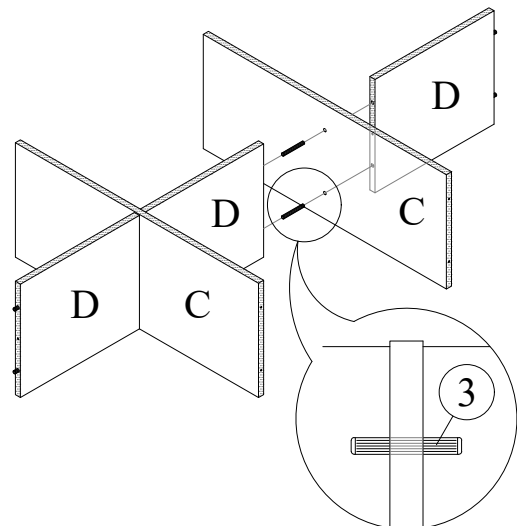


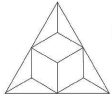
STEP 2

NO WOODEN DOWEL



STEP 3





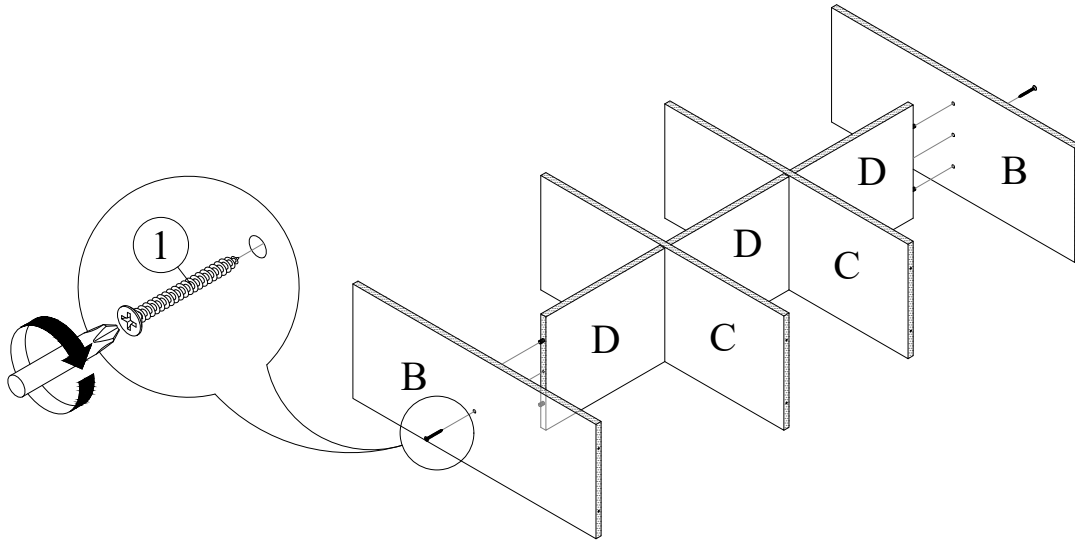
GEOHOME®
ART WITH AN ATTITUDE

ASSEMBLY INSTRUCTION

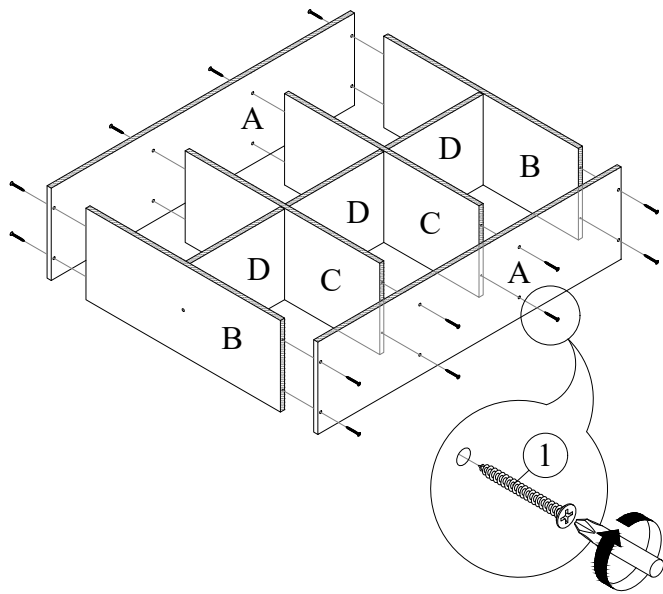
Item No: I 170-81

Description: 6 CUBE ORGANIZER (2 BINS)

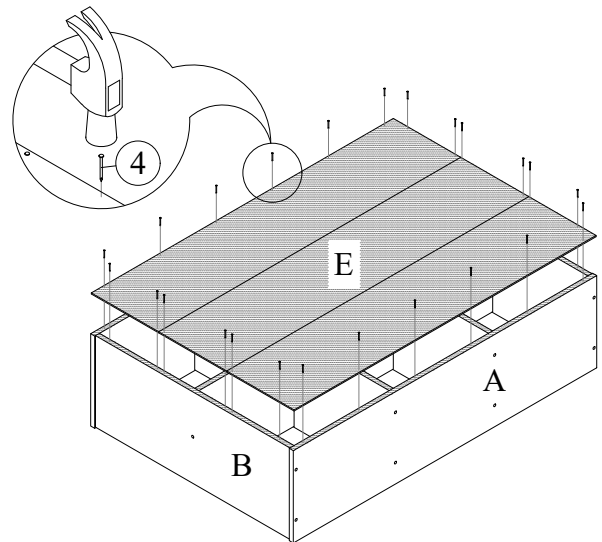
STEP 4



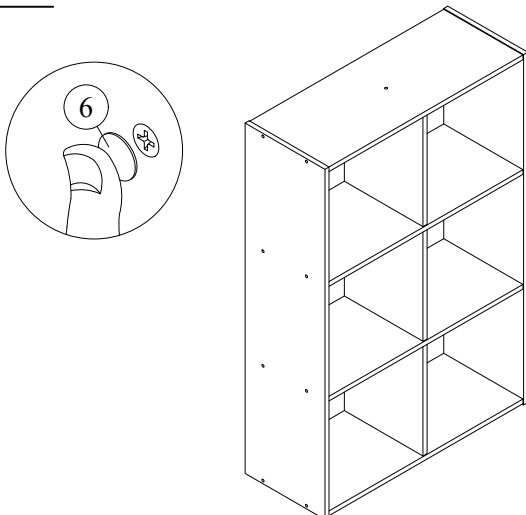
STEP 5



STEP 6



STEP 7



STEP 8

