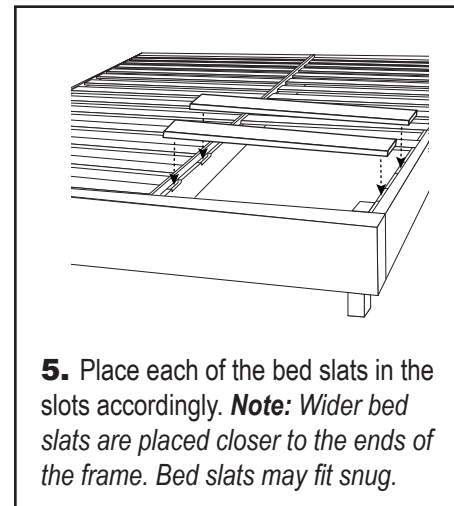
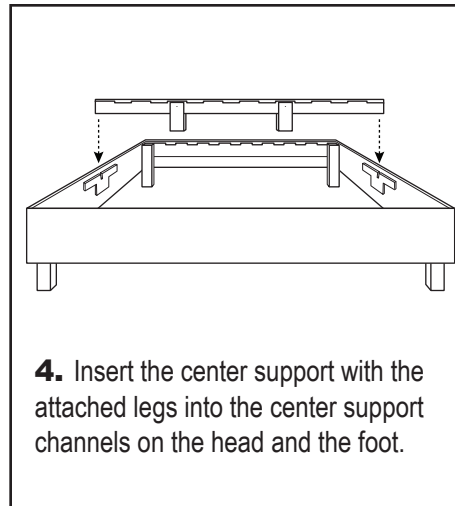
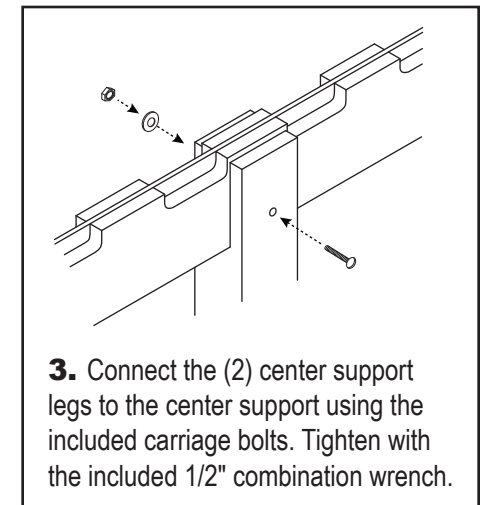
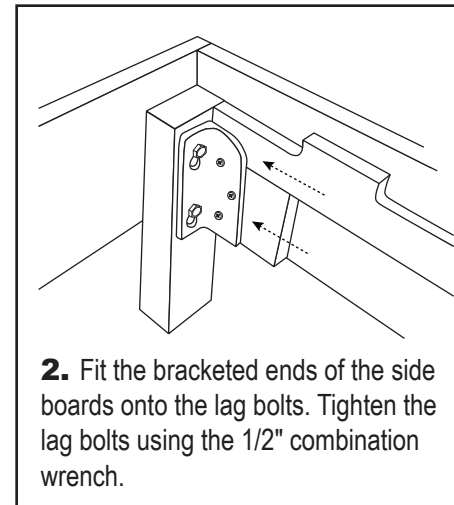
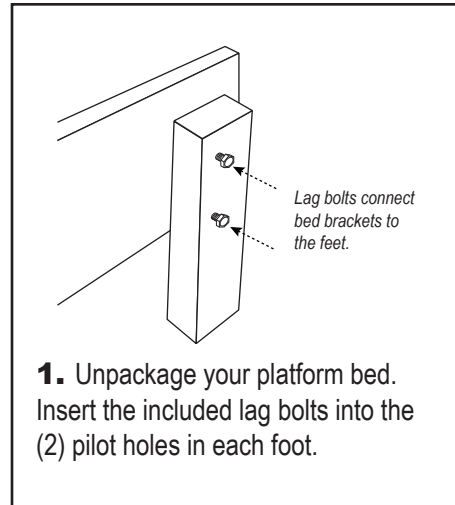
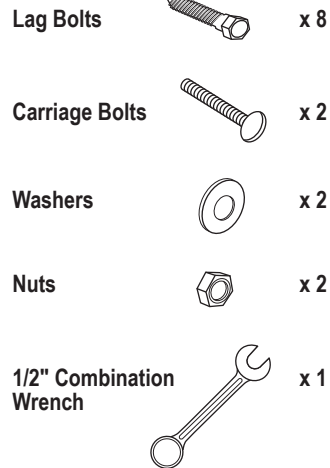


Platform Bed

Assembly Instructions

Before you begin: Unpackage and verify you have all the parts shown in Figure 1: (2) Carriage Bolts with Washers and Nuts. (8) Lag Bolts, and (1) 1/2" Combination Wrench.

FIGURE 1



Thank you for your business!

If you have any questions or concerns about your platform bed, please feel free to contact us directly:

<https://www.progressivefurniture.com/Contact.aspx>