

Step 1

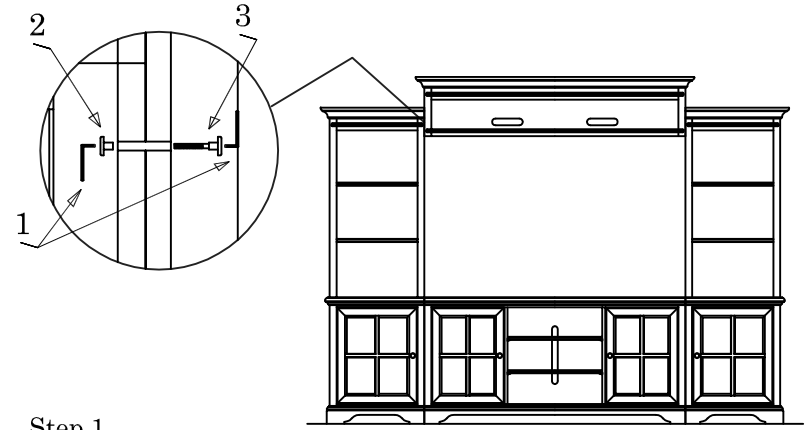
Place Bridge on top of both Pier Units

Step 2

While someone holds the Bridge, join the pier with the bridge using 4x Nut Caps (2) & 4x 7/8" Machine Screw (3)

Step 3

Tighten the screws using 2x Hex Wrench (1) in a Clock Wise Motion



Step 1

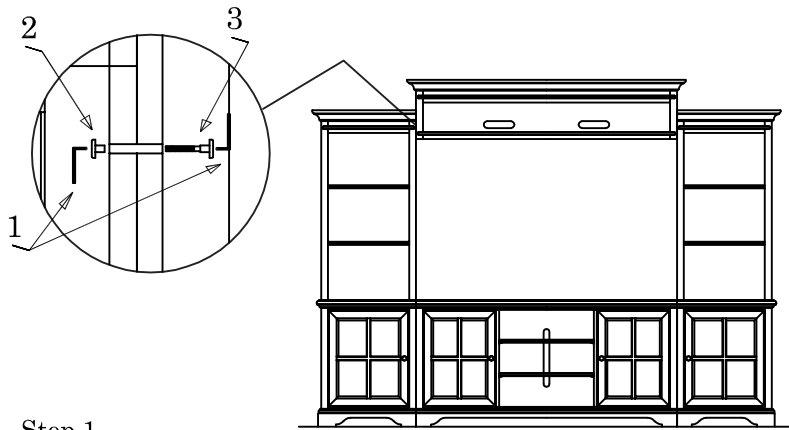
Place Bridge on top of both Pier Units

Step 2

While someone holds the Bridge, join the pier with the bridge using 4x Nut Caps (2) & 4x 7/8" Machine Screw (3)

Step 3

Tighten the screws using 2x Hex Wrench (1) in a Clock Wise Motion



Step 1

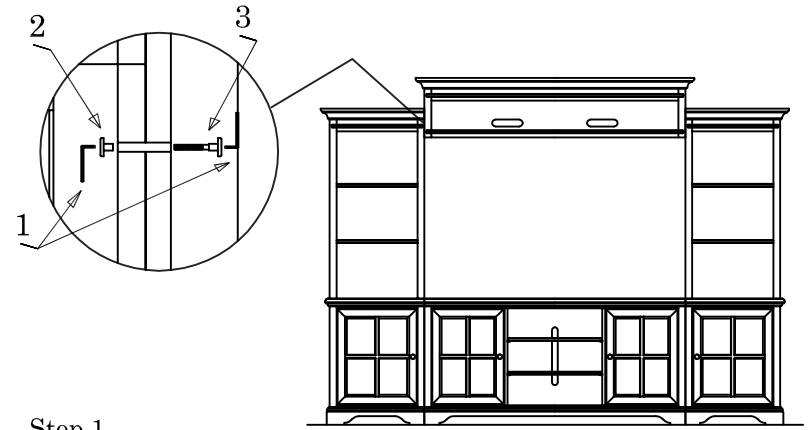
Place Bridge on top of both Pier Units

Step 2

While someone holds the Bridge, join the pier with the bridge using 4x Nut Caps (2) & 4x 7/8" Machine Screw (3)

Step 3

Tighten the screws using 2x Hex Wrench (1) in a Clock Wise Motion



Step 1

Place Bridge on top of both Pier Units

Step 2

While someone holds the Bridge, join the pier with the bridge using 4x Nut Caps (2) & 4x 7/8" Machine Screw (3)

Step 3

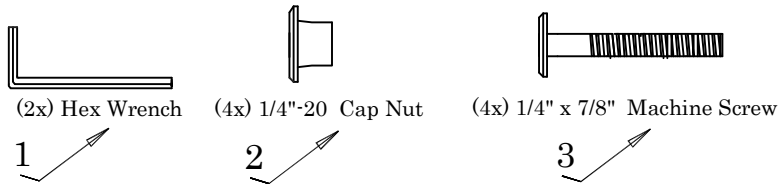
Tighten the screws using 2x Hex Wrench (1) in a Clock Wise Motion

PROGRESSIVE FURNITURE
E707/E727 PIER TO BRIDGE
Assembly Instructions

Important!

This is at least a 2 person assembly,
do not try and assemble alone.

PARTS LIST

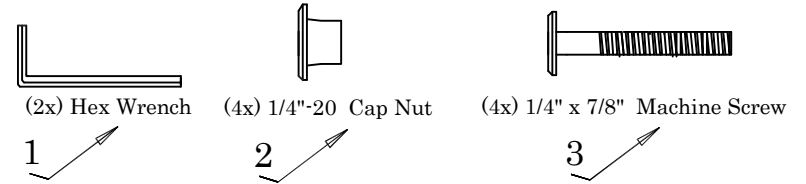


PROGRESSIVE FURNITURE
E707/E727 PIER TO BRIDGE
Assembly Instructions

Important!

This is at least a 2 person assembly,
do not try and assemble alone.

PARTS LIST

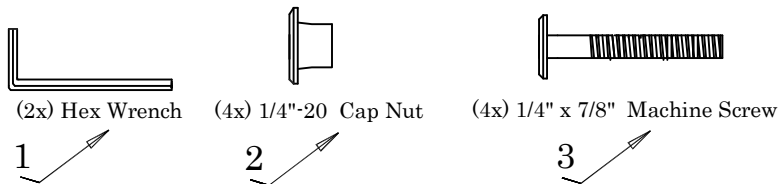


PROGRESSIVE FURNITURE
E707/E727 PIER TO BRIDGE
Assembly Instructions

Important!

This is at least a 2 person assembly,
do not try and assemble alone.

PARTS LIST



PROGRESSIVE FURNITURE
E707/E727 PIER TO BRIDGE
Assembly Instructions

Important!

This is at least a 2 person assembly,
do not try and assemble alone.

PARTS LIST

