

Thank You for purchasing this Quality product. It has been engineered for easy assembly yet constructed for durability. Please take the time to read and follow the instructions while assembling. Please be sure to read the Notes section at the bottom of the page before beginning Assembly. Thank You

ASSEMBLY INSTRUCTION

SERVER

Model : D891-56 (S 2019)

SIZE : 52" x 22" x 36"H

List of Part For 1 Set

Code	Figure	Part	Qty.
①		Table Top	1
②		Top Panel	1
③		Leg	4
④		Side Panel	2
⑤		Side Panel Wine Rack	2
⑥		Vertical Wine Rack	2
⑦		Middle Panel	1
⑧		Door Panel	2
⑨		Back Panel	1
⑩		Bottom Panel	1

List of hardware For 1 Set

Code	Figure	Hardware	Qty.
A		Flat Washer $\frac{5}{16}$ " x 22mm	8
B		Spring Washer $\frac{5}{16}$ "	8
C		Hex.Com Bolt $\frac{5}{16}$ " x 2 $\frac{1}{2}$ "	8
D		Spanner 12,8mm	1

⚠ Important Notes

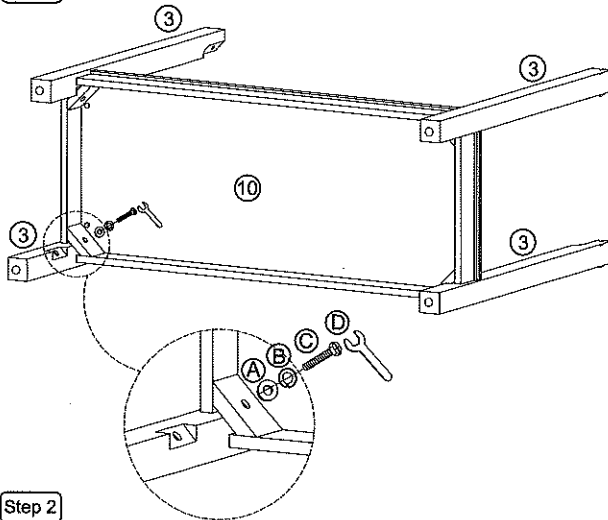
- * Keep all hardware parts out of reach of children.
- * Must tighten screws periodically. With use screws will become loose. Check tightness of all screws every 6-8 weeks.
- * Don't attempt to repair or modify parts that are broken or defective. Please contact the store immediately.
- * Do not tighten all screw / bolt until all completely assembled

Notes

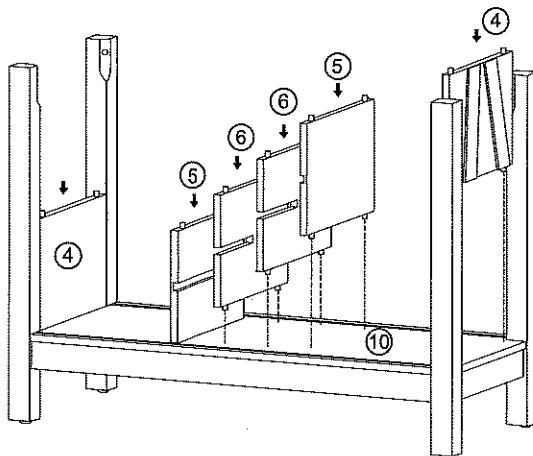
- * Place all wooden parts on a clean and smooth surface such as a rug or carpet to avoid the parts from being scratched.
- * Check to be sure that you have all parts and hardware.
- * Remove all wrapping materials including staples & packing straps before you start to assemble.
- * Do not tighten all screws / bolts until all completely assembled.

MADE IN MALAYSIA

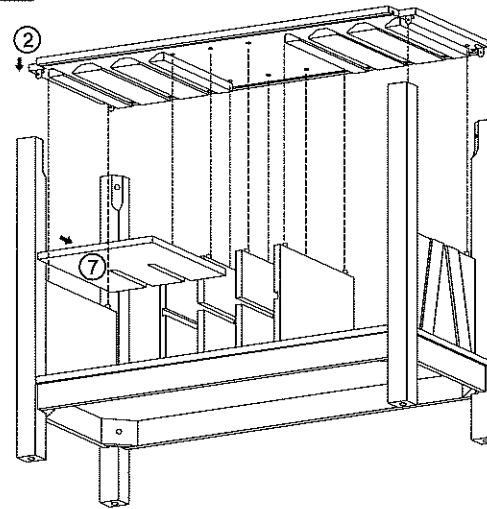
Step 1



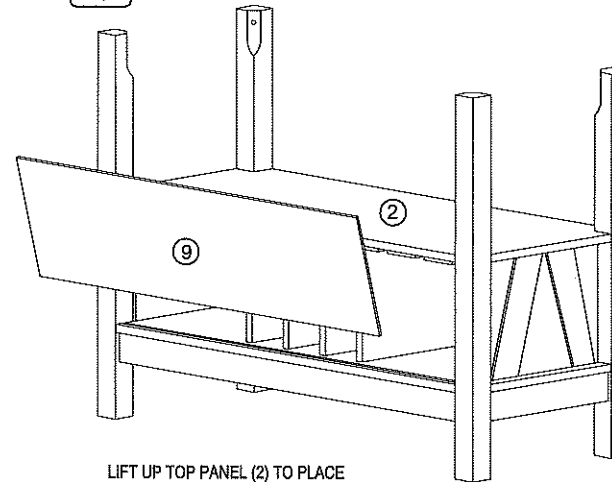
Step 2



Step 3



Step 4



LIFT UP TOP PANEL (2) TO PLACE THE BACK PANEL (9) IN THE GROOVE

Thank You for purchasing this Quality product. It has been engineered for easy assembly yet constructed for durability. Please take the time to read and follow the instructions while assembling. Please be sure to read the Notes section at the bottom of the page before beginning Assembly. Thank You

ASSEMBLY INSTRUCTION

SERVER

Model : D891-56 (S 2019)

SIZE : 52" x 22" x 36"H

List of Part For 1 Set

Code	Figure	Part	Qty.
①		Table Top	1
②		Top Panel	1
③		Leg	4
④		Side Panel	2
⑤		Side Panel Wine Rack	2
⑥		Vertical Wine Rack	2
⑦		Middle Panel	1
⑧		Door Panel	2
⑨		Back Panel	1
⑩		Bottom Panel	1

List of hardware For 1 Set

Code	Figure	Hardware	Qty.
(A)		Flat Washer $\frac{5}{16}$ " x 22mm	8
(B)		Spring Washer $\frac{5}{16}$ "	8
(C)		Hex. Corn Bolt $\frac{5}{16}$ " x 2 $\frac{1}{2}$ "	8
(D)		Spanner 12.8mm	1

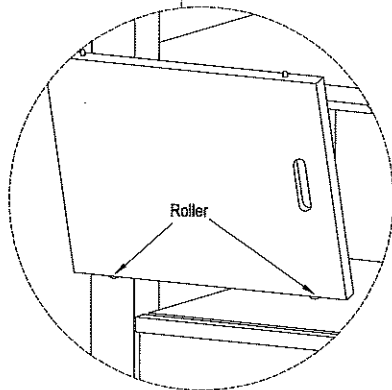
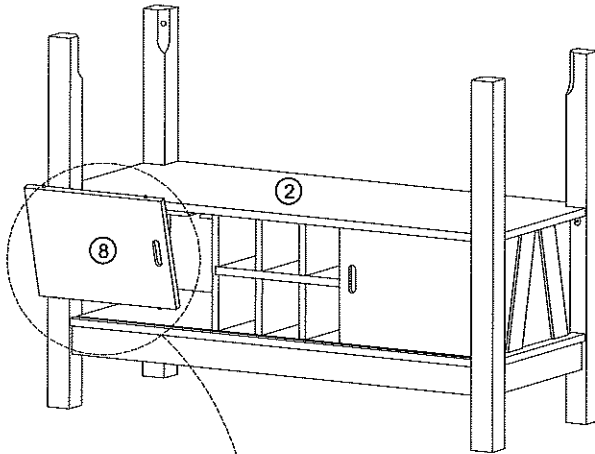
⚠ Important Notes

- * Keep all hardware parts out of reach of children.
- * Must tighten screws periodically. With use screws will become loose. Check tightness of all screws every 6-8 weeks.
- * Don't attempt to repair or modify parts that are broken or defective. Please contact the store immediately.
- * Do not tighten all screw / bolt until all completely assembled

Notes

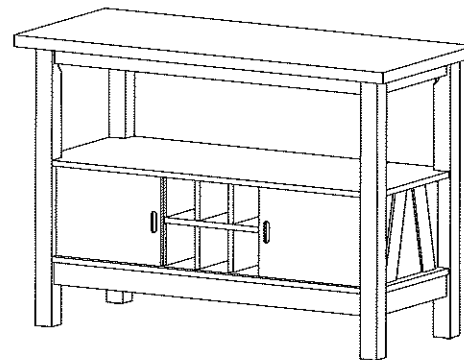
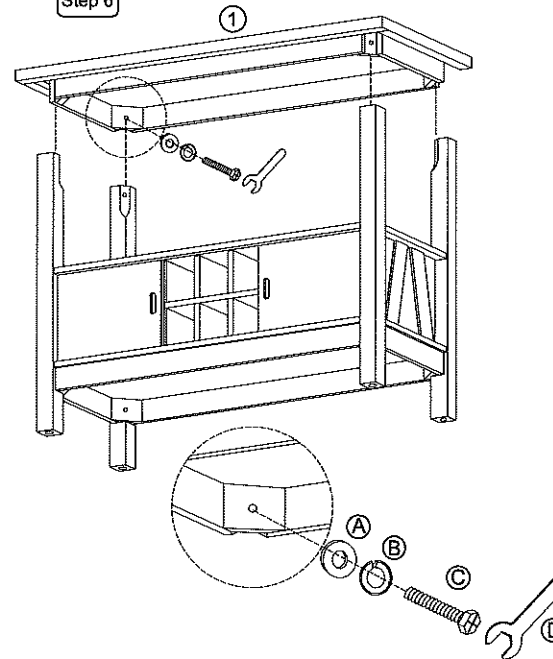
- * Place all wooden parts on a clean and smooth surface such as a rug or carpet to avoid the parts from being scratched.
- * Check to be sure that you have all parts and hardware.
- * Remove all wrapping materials including staples & packing straps before you start to assemble.
- * Do not tighten all screws / bolts until all completely assembled.

Step 5



LIFT UP TOP PANEL (2) TO PLACE THE DOOR (8) IN THE GROOVE

Step 6



Assembly Completed !!

MADE IN MALAYSIA