

Thank You for purchasing this Quality product. It has been engineered for easy assembly yet constructed for durability. Please take the time to read and follow the instructions while assembling.

Please be sure to read the Notes section at the bottom of the page before beginning Assembly. Thank You




## ASSEMBLY INSTRUCTION

### RECTANGULAR DINING TABLE






Model : D891-10T/B (DOVEE 2019)

SIZE : 40" x 66" x 30"H

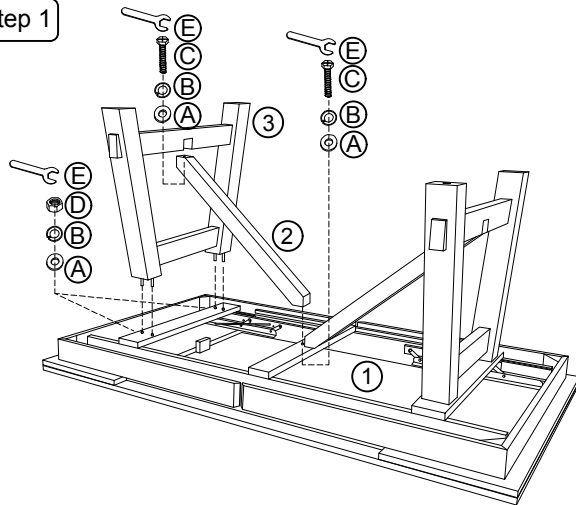
List of Part For 1 Set

Code	Figure	Part	Qty.
①		Table Top	1
②		Table Leg Side Rail	2
③		Table Leg	2

List of hardware For 1 Set

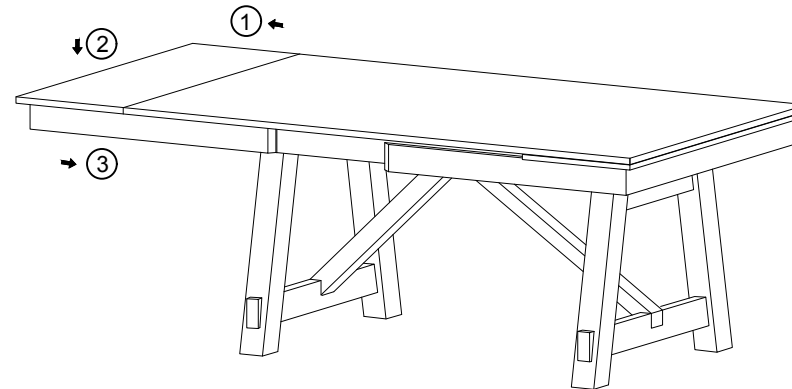
Code	Figure	Hardware	Qty.
Ⓐ		Flat Washer $\frac{5}{8}$ " x 22mm	12
Ⓑ		Spring Washer $\frac{5}{16}$ "	12
Ⓒ		Hex. Corn Bolt $\frac{5}{16}$ " x 2 $\frac{1}{2}$ "	4
Ⓓ		Hexagon Nut $\frac{5}{16}$ " x 7mm	8
Ⓔ		Spanner 12.8mm	1

Step 1



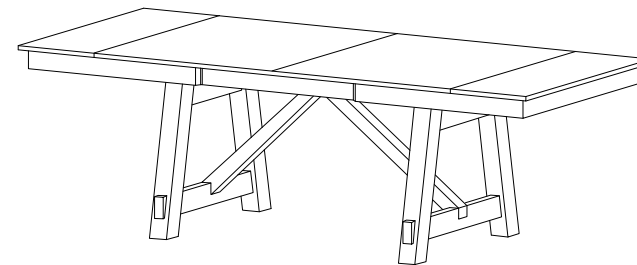
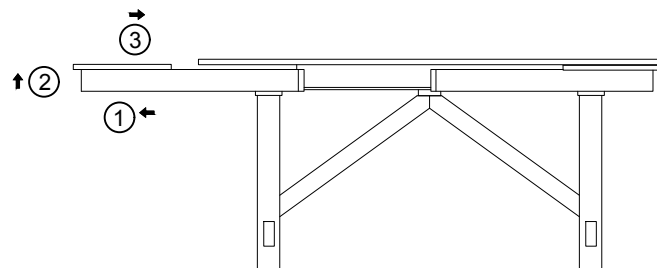
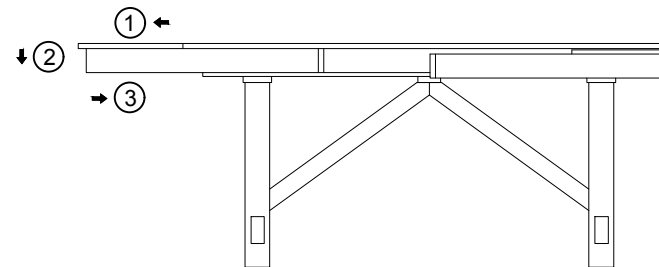
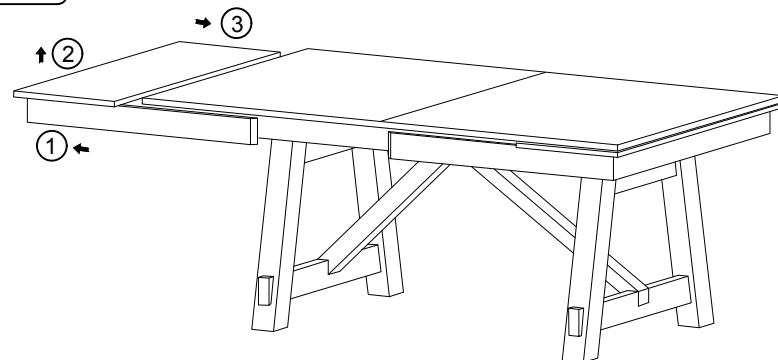
Step 3

TO STORAGE



Step 2

TO OPERATE



Assembly Completed !!

#### ⚠ Important Notes

- \* Keep all hardware parts out of reach of children.
- \* Must tighten screws periodically. With use screws will become loose. Check tightness of all screws every 6-8 weeks.
- \* Don't attempt to repair or modify parts that are broken or defective. Please contact the store immediately.
- \* Do not tighten all screw / bolt until all completely assembled

#### Notes

- \* Place all wooden parts on a clean and smooth surface such as a rug or carpet to avoid the parts from being scratched.
- \* Check to be sure that you have all parts and hardware.
- \* Remove all wrapping materials including staples & packing straps before you start to assemble.
- \* Do not tighten all screws / bolts until all completely assembled.

MADE IN MALAYSIA