

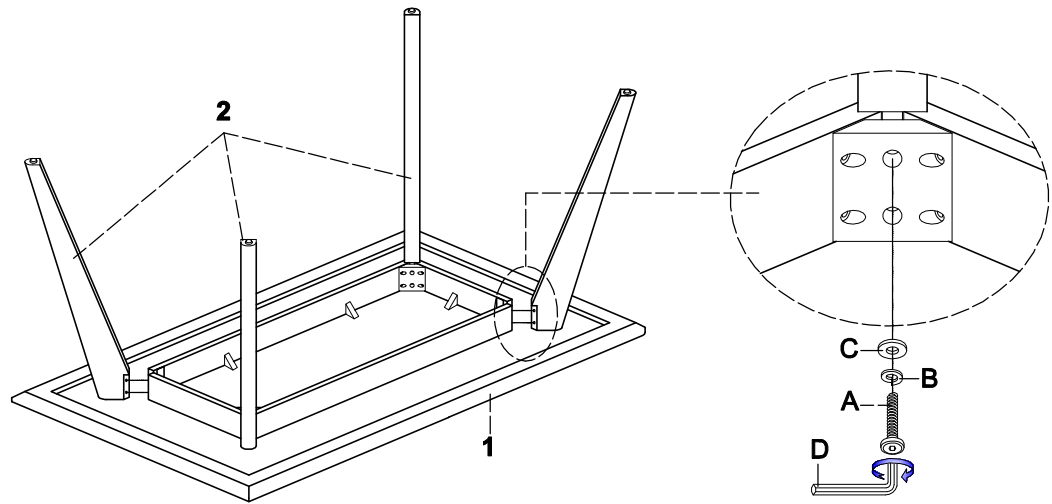
ASSEMBLY INSTRUCTIONS



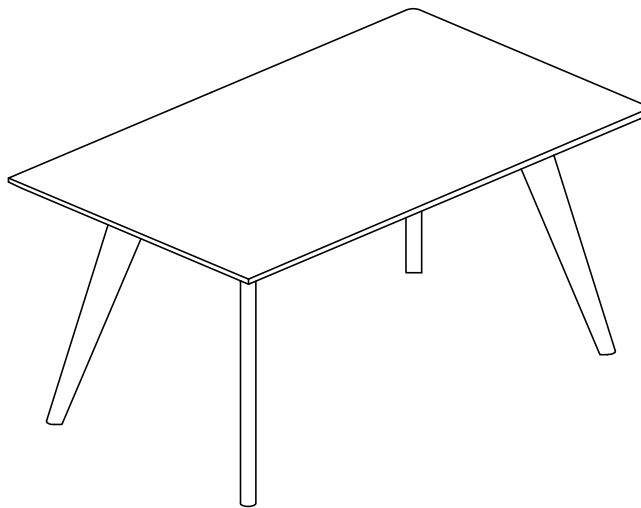
ITEM NO.: D887-10
Dining Table

Thank you for purchasing this quality product. Be sure to check all packing materials carefully for small parts may have come loose inside the carton during shipment, clarify and count all parts and compare with the parts list below. Do not completely tighten until the item has been fully assembled.

STEP 1



COMPLETE



HARDWARE LIST				
A		BOLT	Ø5/16" x 60 mm	8PCS
B		SPRING WASHER	Ø5/16"	8PCS
C		WASHER	Ø5/16"	8PCS
D		ALLEN KEY	4mm	1PC

PART LIST			
1		TABLE TOP	1PC
2		LEGS	4PC

Cleaning instruction: Clean the table surface with a furniture polish and a soft cloth.

Made In Vietnam