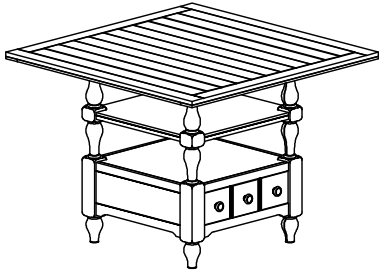


ASSEMBLY INSTRUCTION

Item No : D884-12B,12T

Description : COUNTER TABLE



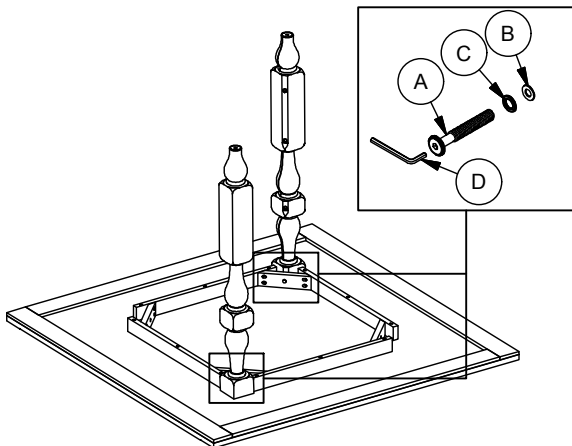
IMPORTANT NOTE :

- Place all wooden parts on a clean and smooth surface such as a rug or carpet to avoid the parts from being scratched.
- Check to be sure that you have all parts and hardware.
- Remove all wrapping materials, including staples & packing straps before you start to assemble.
- Do not tighten all screws / bolts until all completely assembled.
- Keep all hardware parts out of reach of children.

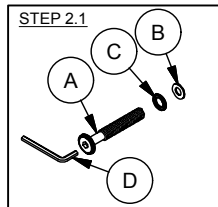
PART LIST		
NO	DESCRIPTION	QTY/PCS
1	TABLE TOP	1 PC
2	SHELF PANEL	1 PC
3	STORAGE BOX	1 PC
4	TURNING LEG	4 PCS

HARDWARE LIST		
NO	DESCRIPTION	QTY/PCS
A	BOLT M8 x 60	16 PCS
B	FLAT WASHER 5/16" x 16MM	16 PCS
C	SPRING WASHER 5/16"	16 PCS
D	ALLEN KEY M5	1 PC

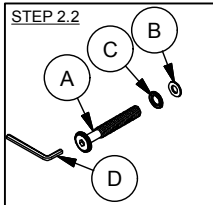
STEP 1



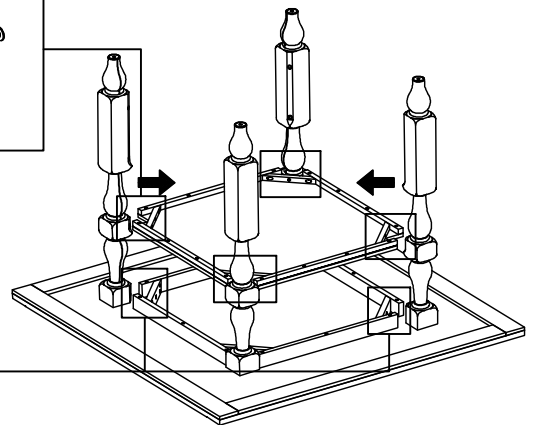
STEP 2.1



STEP 2.2



STEP 2



STEP 3

