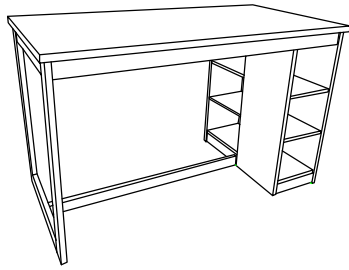


# ASSEMBLY INSTRUCTION

Item No: D878-14 / D879-14

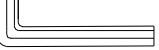





Description: COUNTER STORAGE TABLE



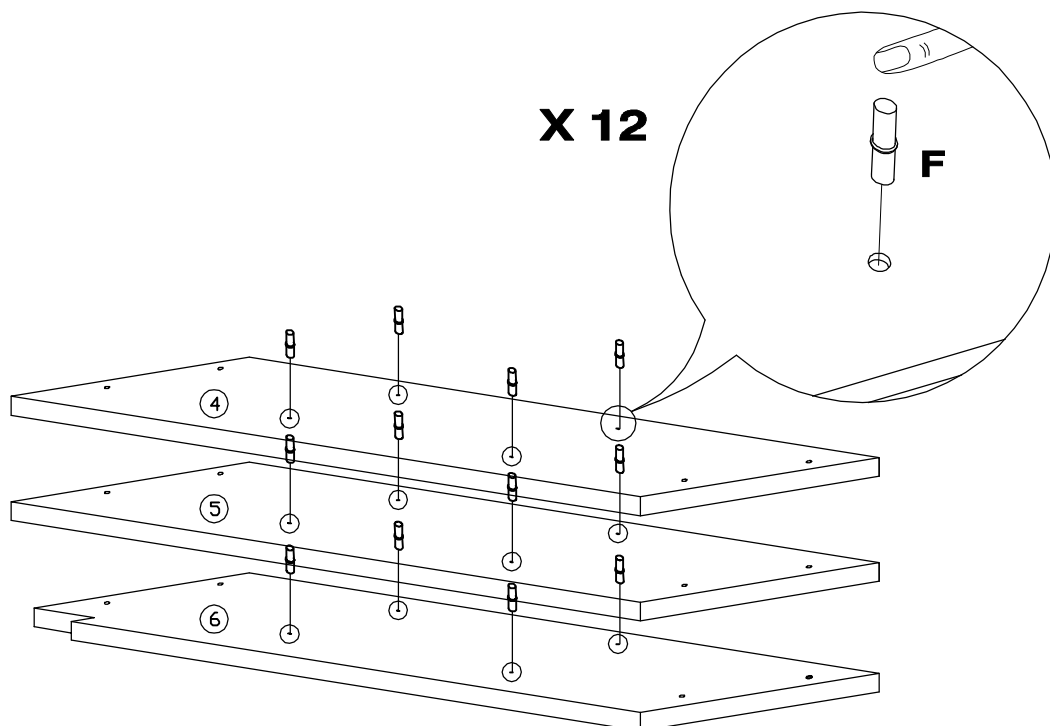
## IMPORTANT NOTE :

- Place all wooden parts on a clean and smooth surface such as a rug or carpet to avoid the parts from being scratched.
- Check to be sure that you have all parts and hardware.
- Remove all wrapping materials, including staples & packing straps before you start to assemble.
- Do not tighten all screws/bolts until all completely assembled.
- Keep all hardware parts out of reach of children.

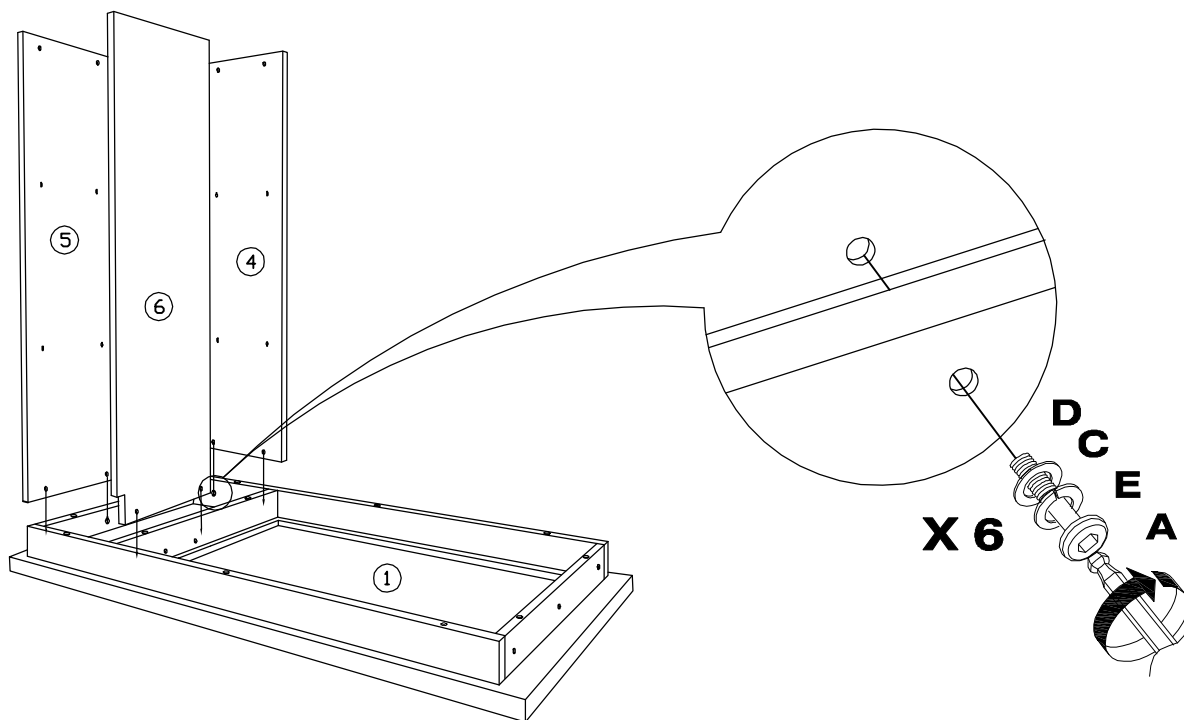
PARTS LIST		
NO.	DESCRIPTION	QTY.
1	TABLE TOP WITH APRON	1 PC
2	TABLE LEG FRAME	1 PC
3	TABLE STRETCHER	1 PC
4	PANEL 1	1 PC
5	PANEL 2	1 PC
6	PANEL 3	1 PC
7	SHELF	2 PCS
8	BOTTOM SHELF WITH BOX	1 PC

HARDWARE LIST		
NO.	DESCRIPTION	QTY.
A	ALLEN KEY M4 X 100MM 	1 PC
B	JCBC BOLT M6 X 50 MM 	2 PCS
C	SPRING WASHER 1/4" 	17 PCS
D	FLAT WASHER M6 X 13MM 	17 PCS
E	JCBC BOLT M6 X 30MM 	15 PCS
F	SHELF SUPPORT M5 X 16MM 	12 PCS

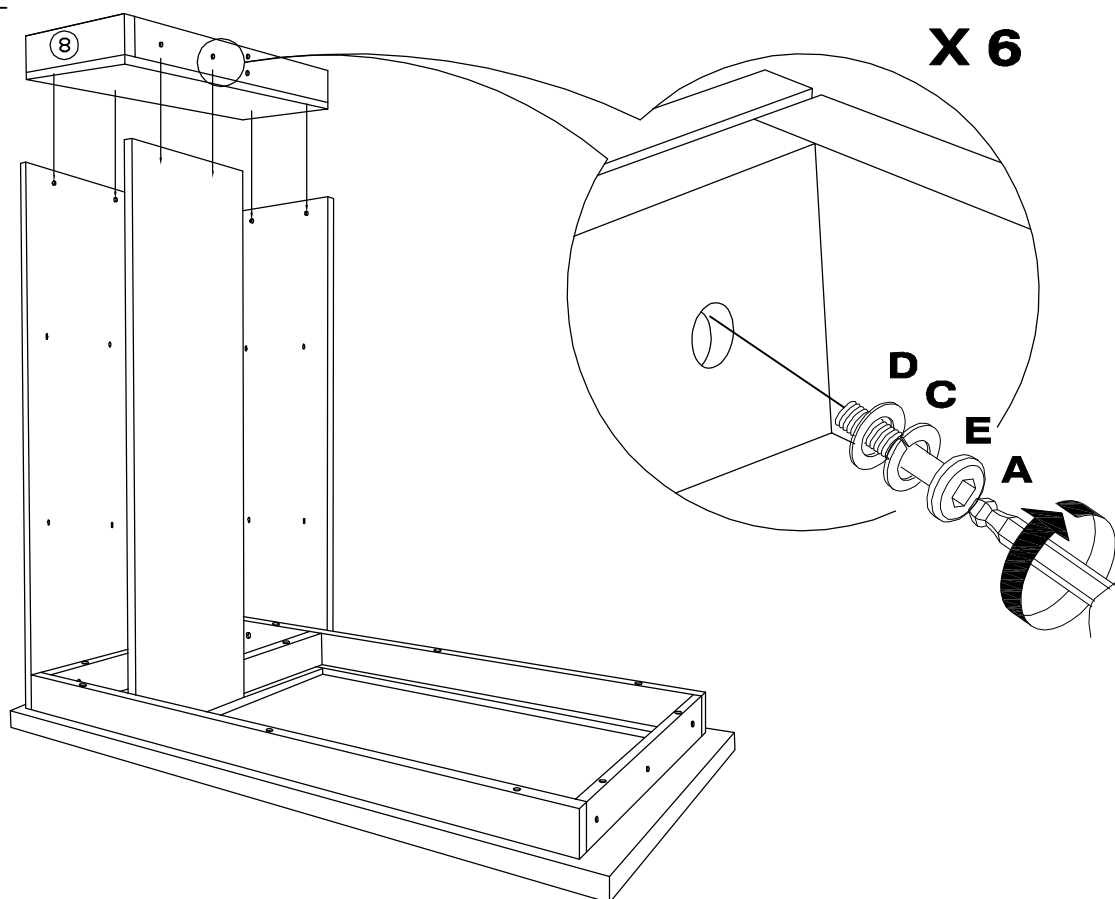
## STEP 1



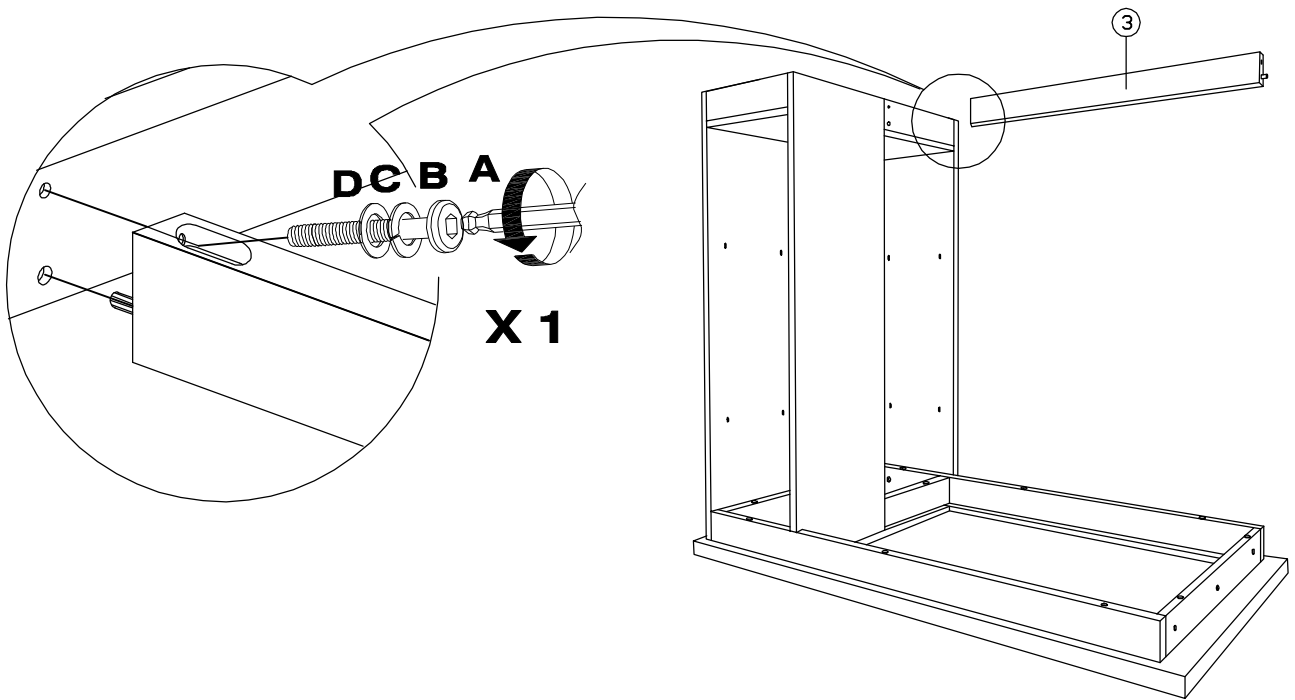
## STEP 2



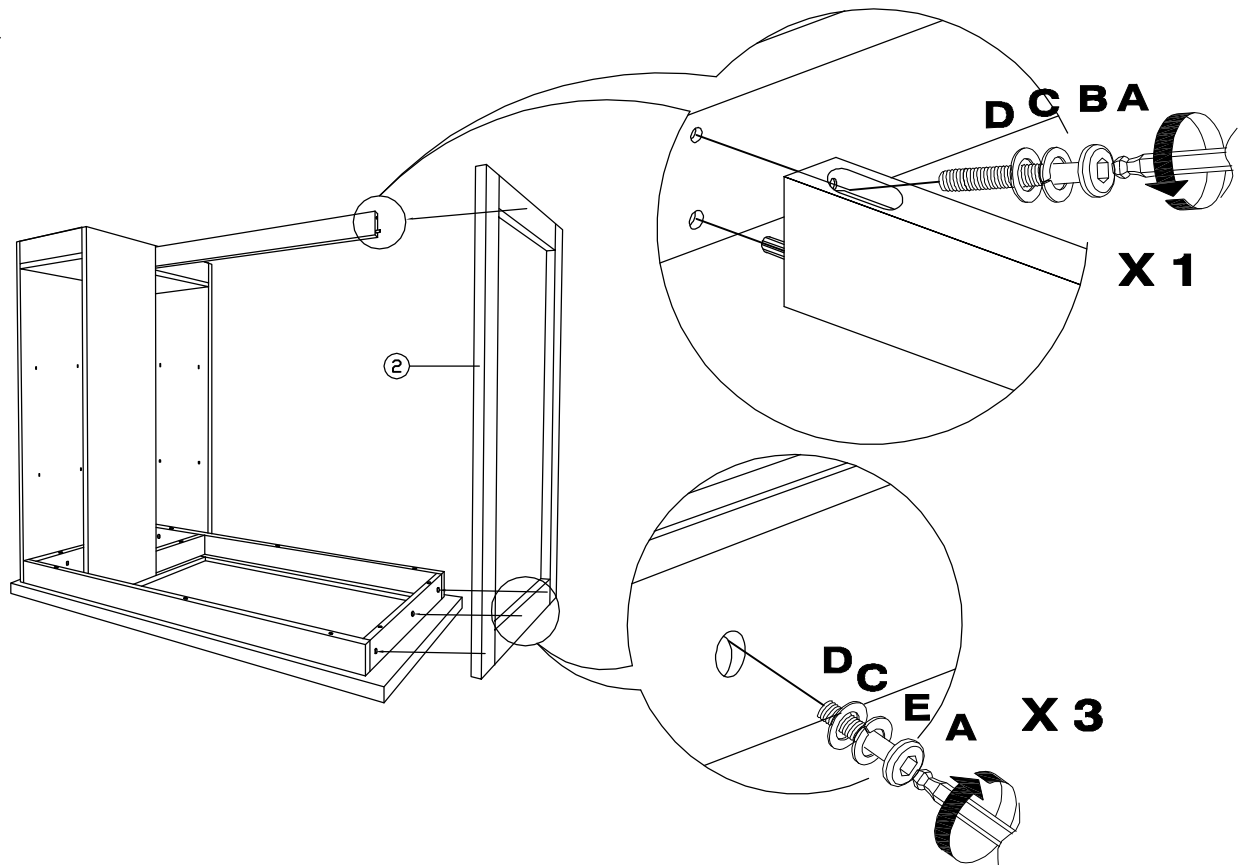
## STEP 3



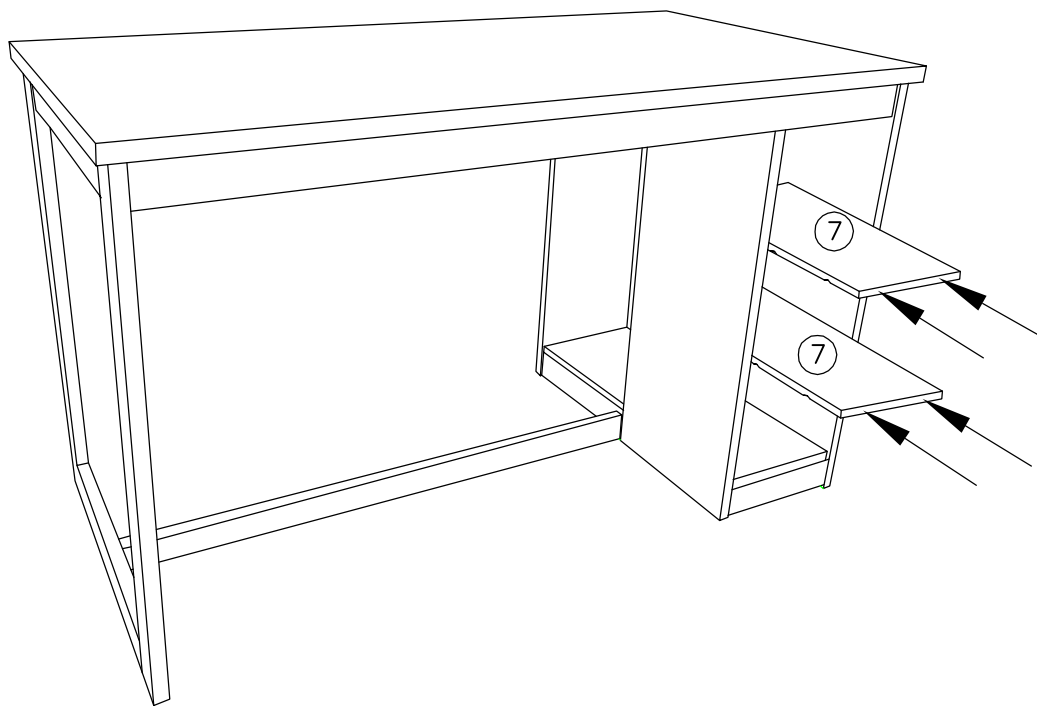
**STEP 4**



**STEP 5**



**STEP 6**



**STEP 7**

