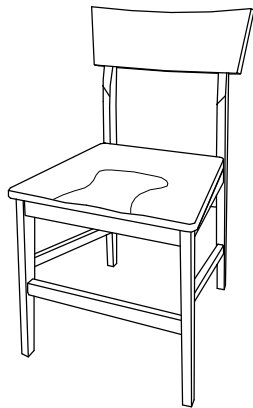


# ASSEMBLY INSTRUCTION

Item No: D878-61

Description: WOODEN DINING CHAIR



## IMPORTANT NOTE :

- Place all wooden parts on a clean and smooth surface such as a rug or carpet to avoid the parts from being scratched.
- Check to be sure that you have all parts and hardware.
- Remove all wrapping materials, including staples & packing straps before you start to assemble.
- Do not tighten all screws/bolts until all completely assembled.
- Keep all hardware parts out of reach of children.

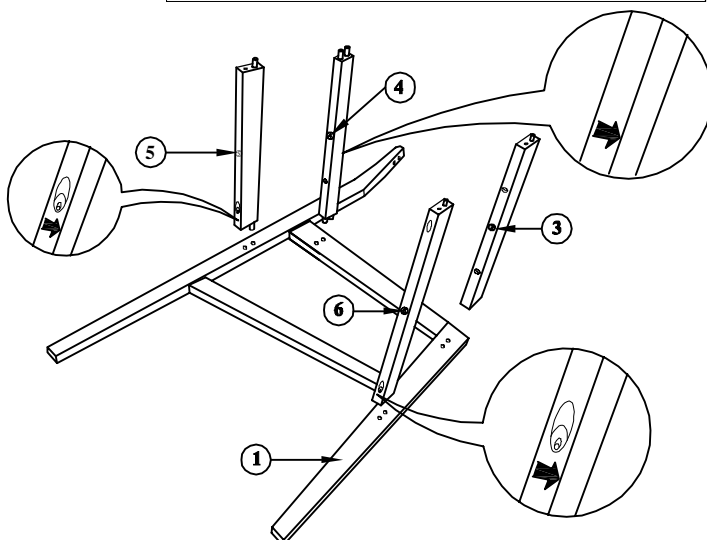
*Each chair*

NO.	PARTS LIST COMPONENT	QTY.
1	SIDE MEMBER (LEFT)	1 PC
2	SIDE MEMBER (RIGHT)	1 PC
3	FRONT PANEL	1 PC
4	BACK PANEL	1 PC
5	LOWER PANEL (BACK)	1 PC
6	LOWER PANEL (FRONT)	1 PC
7	CHAIR HEAD	1 PC
8	WOODEN SEAT	1 PC

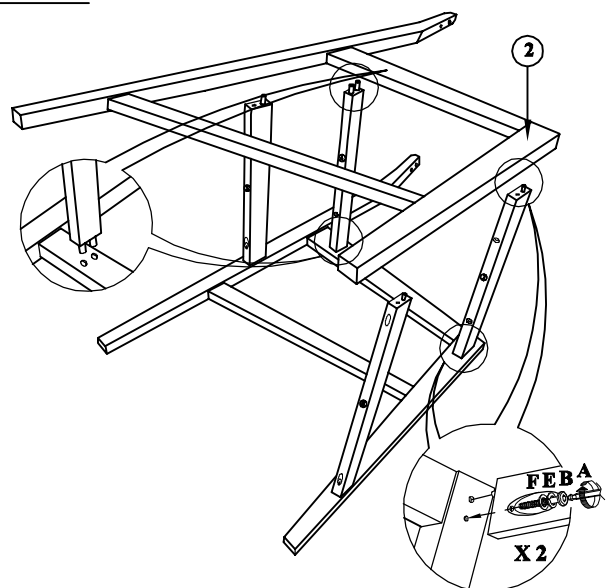
NO.	HARDWARE LIST DESCRIPTION	QTY.
A	ALLEN KEY M4 X 110MM	1 PC
B	JCBC BOLT M6 X 45MM	6 PCS
C	JCBC BOLT M6 X 35MM	4 PCS
D	JCBC BOLT M6 X 20MM	4 PCS
E	SPRING WASHER 1/4"	10 PCS
F	FLAT WASHER M6 X 13MM	14 PCS
G	WOOD BUTTON Ø 14.5 X 9MM	4 PCS

### STEP 1

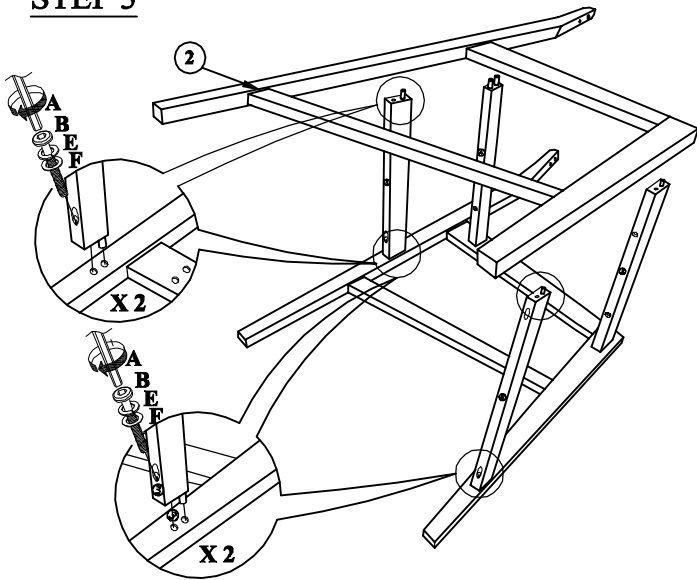
**IMPORTANT NOTICE :** PLEASE MAKE SURE ALL ARROWS DIRECTION ARE CORRECT.



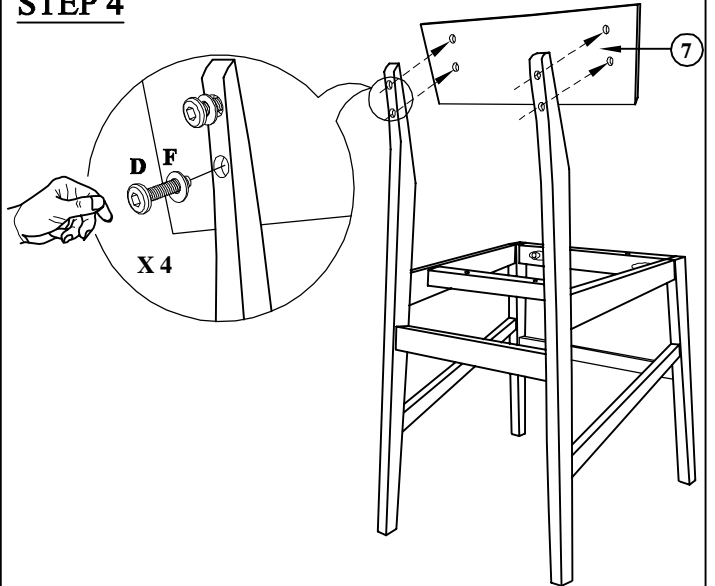
### STEP 2



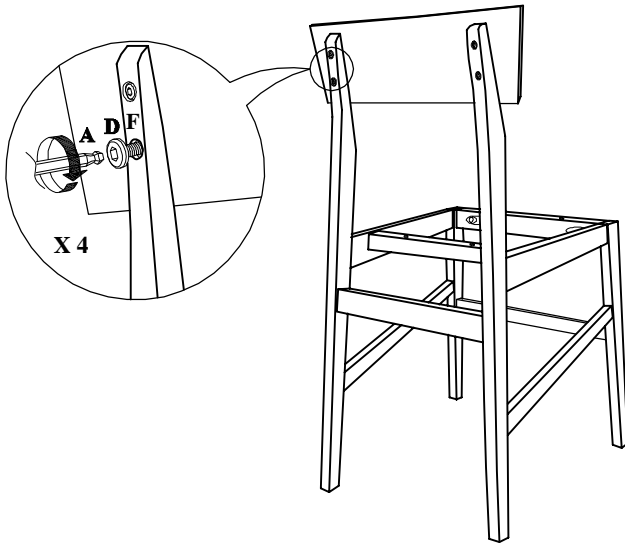
**STEP 3**



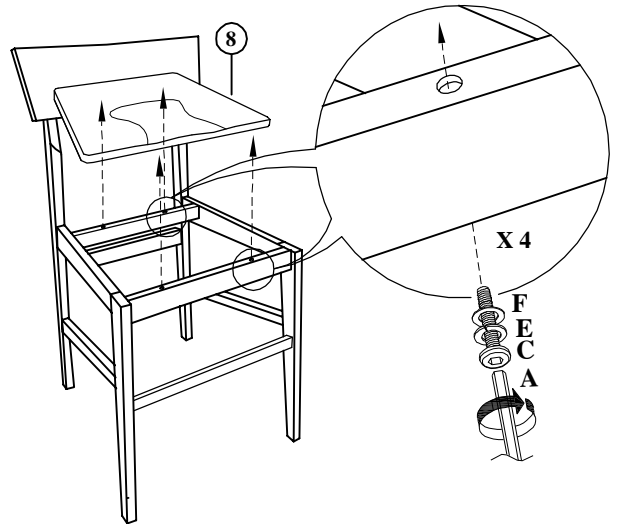
**STEP 4**



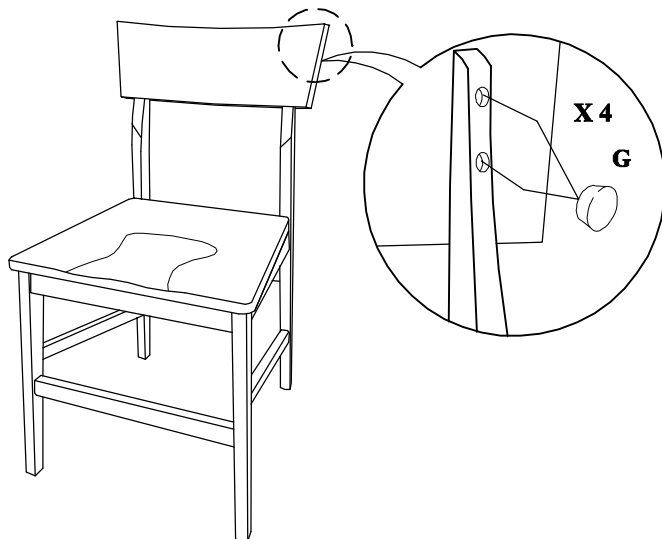
**STEP 5**



**STEP 6**



**STEP 7**



**STEP 8**

