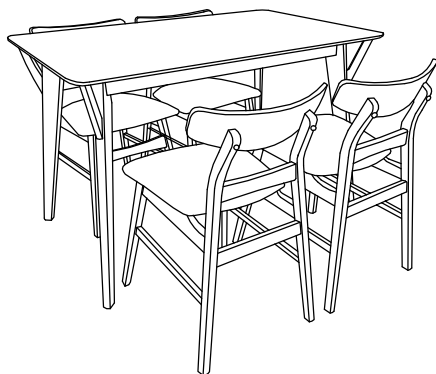


# ASSEMBLY INSTRUCTION

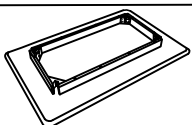


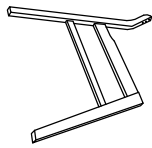
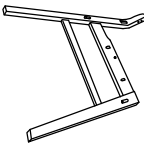





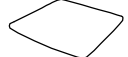
Item No: D875-10



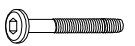






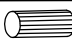
Description: TABLE WITH 4 DINING CHAIR



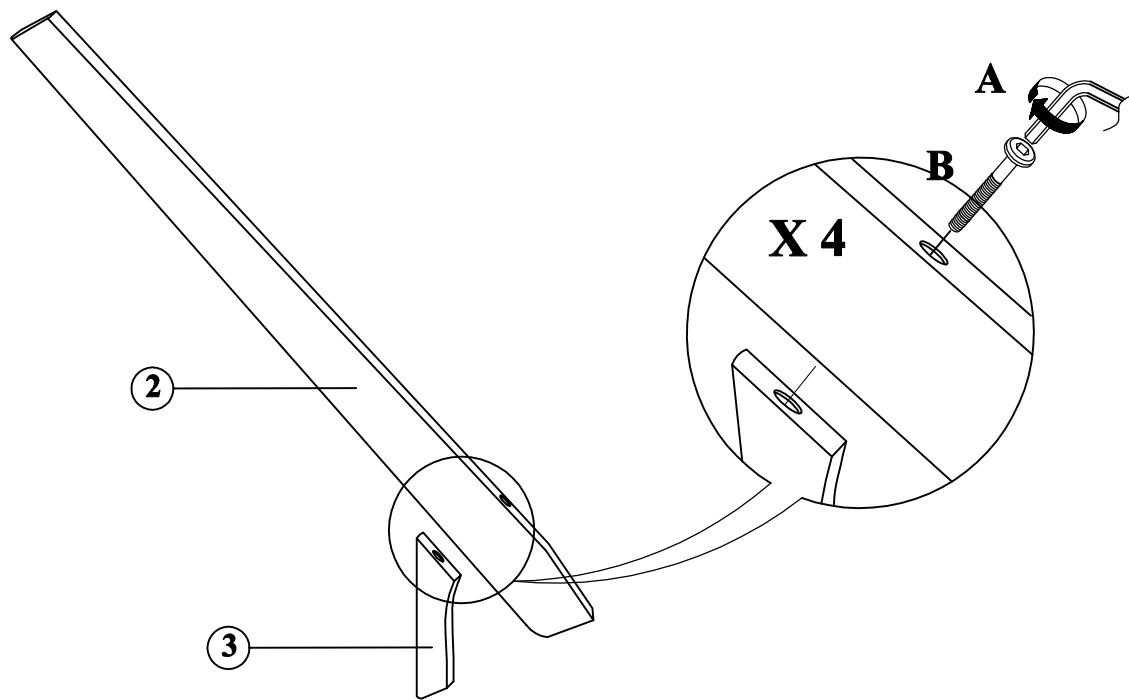
## IMPORTANT NOTE :

- Place all wooden parts on a clean and smooth surface such as a rug or carpet to avoid the parts from being scratched.
- Check to be sure that you have all parts and hardware.
- Remove all wrapping materials, including staples & packing straps before you start to assemble.
- Do not tighten all screws/bolts until all completely assembled.
- Keep all hardware parts out of reach of children.

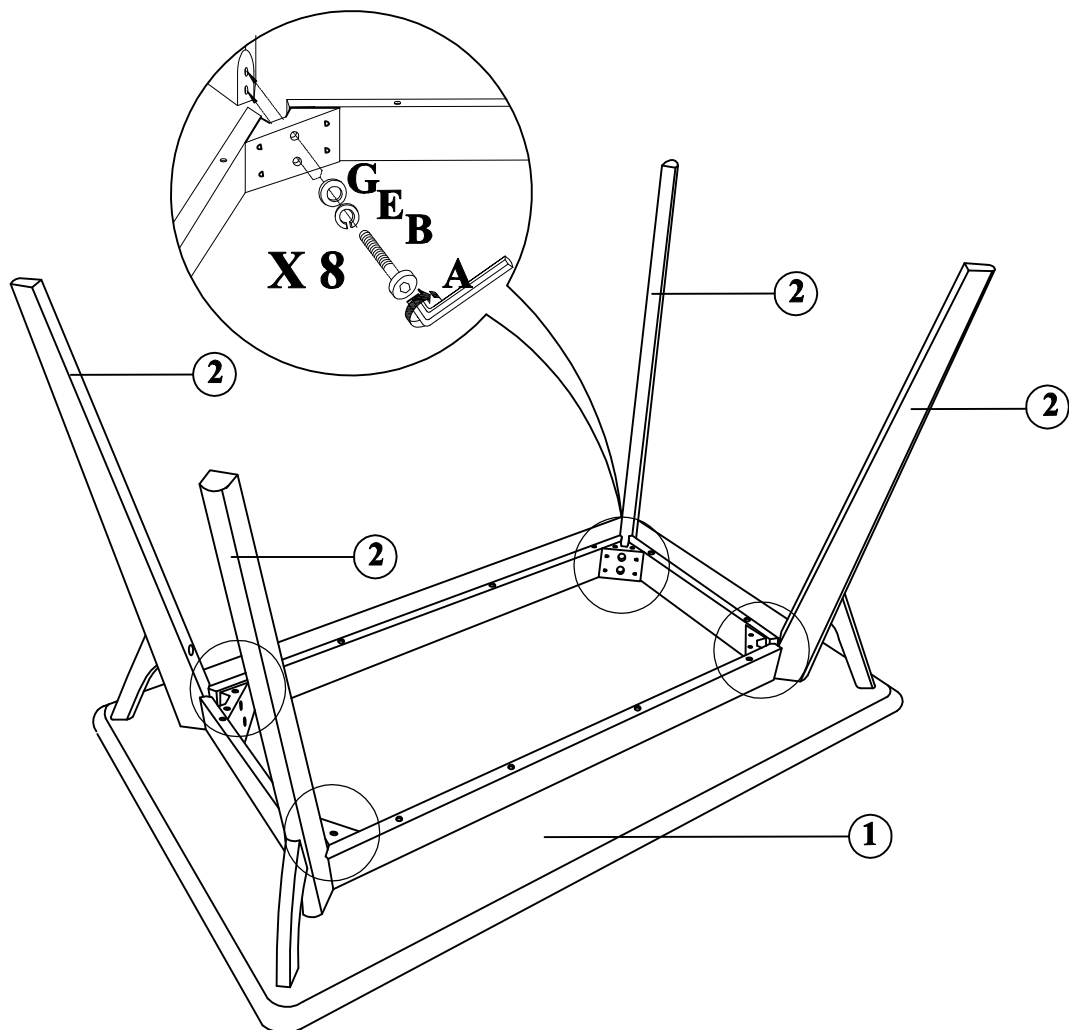
NO.	PARTS LIST	
	DESCRIPTION	QTY.
1	TABLE TOP 	1 PC
2	TABLE LEG 	4 PCS
3	LEG SUPPORT 	4 PCS
4	SIDE ASSEMBLE (RIGHT) 	4 PCS
5	SIDE ASSEMBLE (LEFT) 	4 PCS
6	FRONT RAIL 	4 PCS
7	CENTER RAIL 	4 PCS
8	BACK RAIL 	4 PCS
9	BACK LOWER RAIL (DOWN) 	4 PCS
10	CHAIR CAP 	4 PCS
11	CUSHION SEAT 	4 PCS

HARDWARE LIST		
NO.	DESCRIPTION	QTY.
A	ALLEN KEY M4 X 110MM 	1 PC
B	JCBC BOLT M6 X 60MM 	12 PCS
C	JCBC BOLT M6 X 50MM 	16 PCS
D	JCBC BOLT M6 X 30MM 	8 PCS
E	SPRING WASHER 1/4" 	32PCS
F	FLAT WASHER M6 X 13MM 	24PCS
G	FLAT WASHER 5/16" 	8PCS
H	PAN HEAD CBS #8 X 1 1/4" 	16 PCS
I	WOOD BUTTON Ø14.5X9MM 	8 PCS
J	DOWEL PIN M8 X 30 MM 	24 PCS

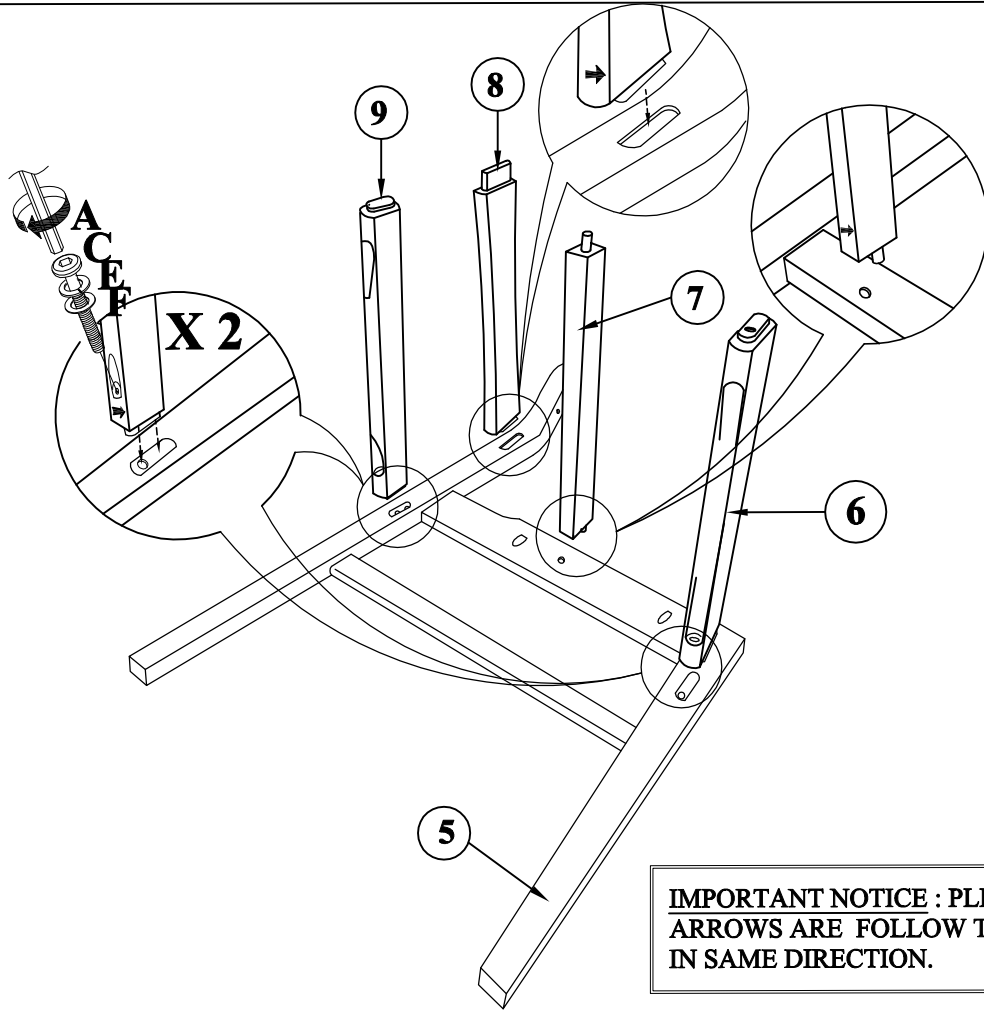
# STEP 1



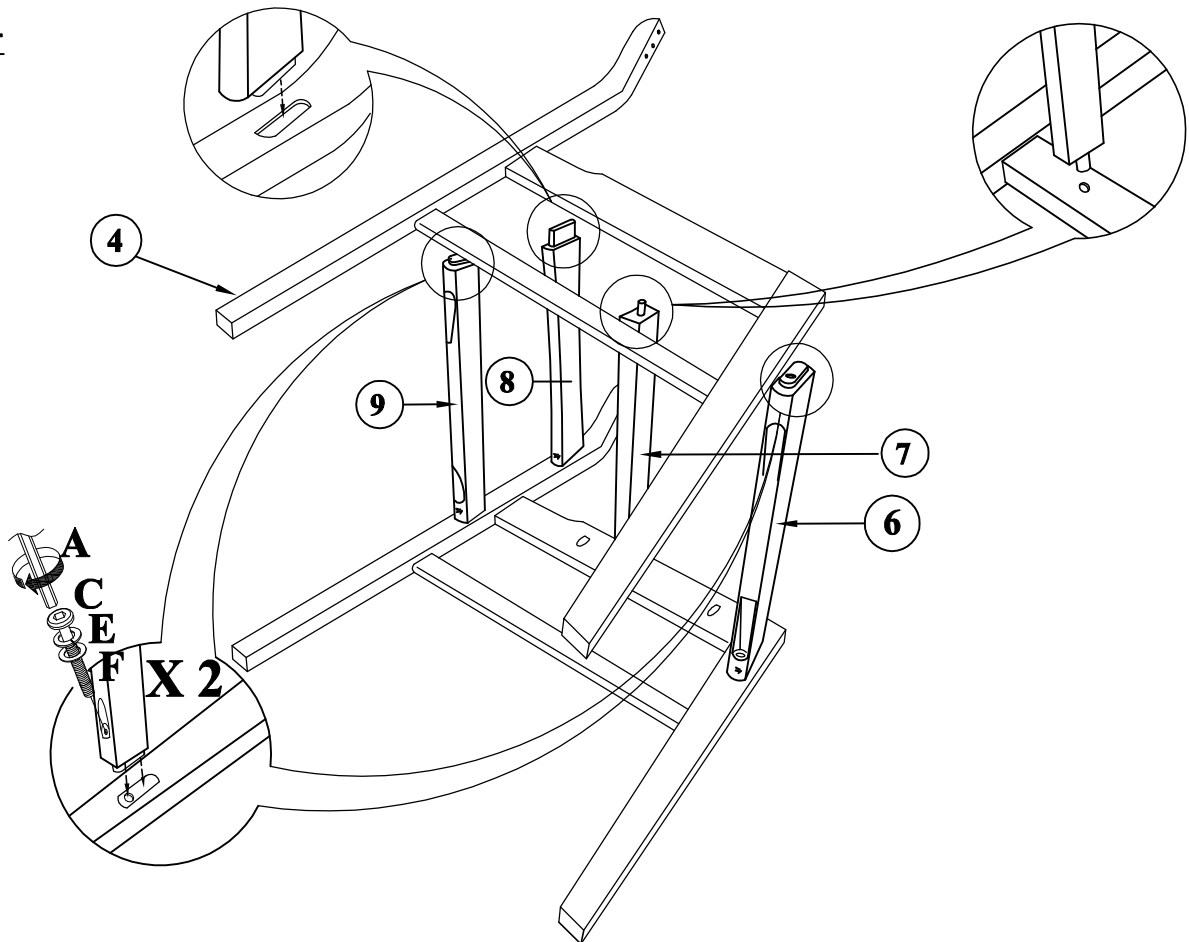
# STEP 2



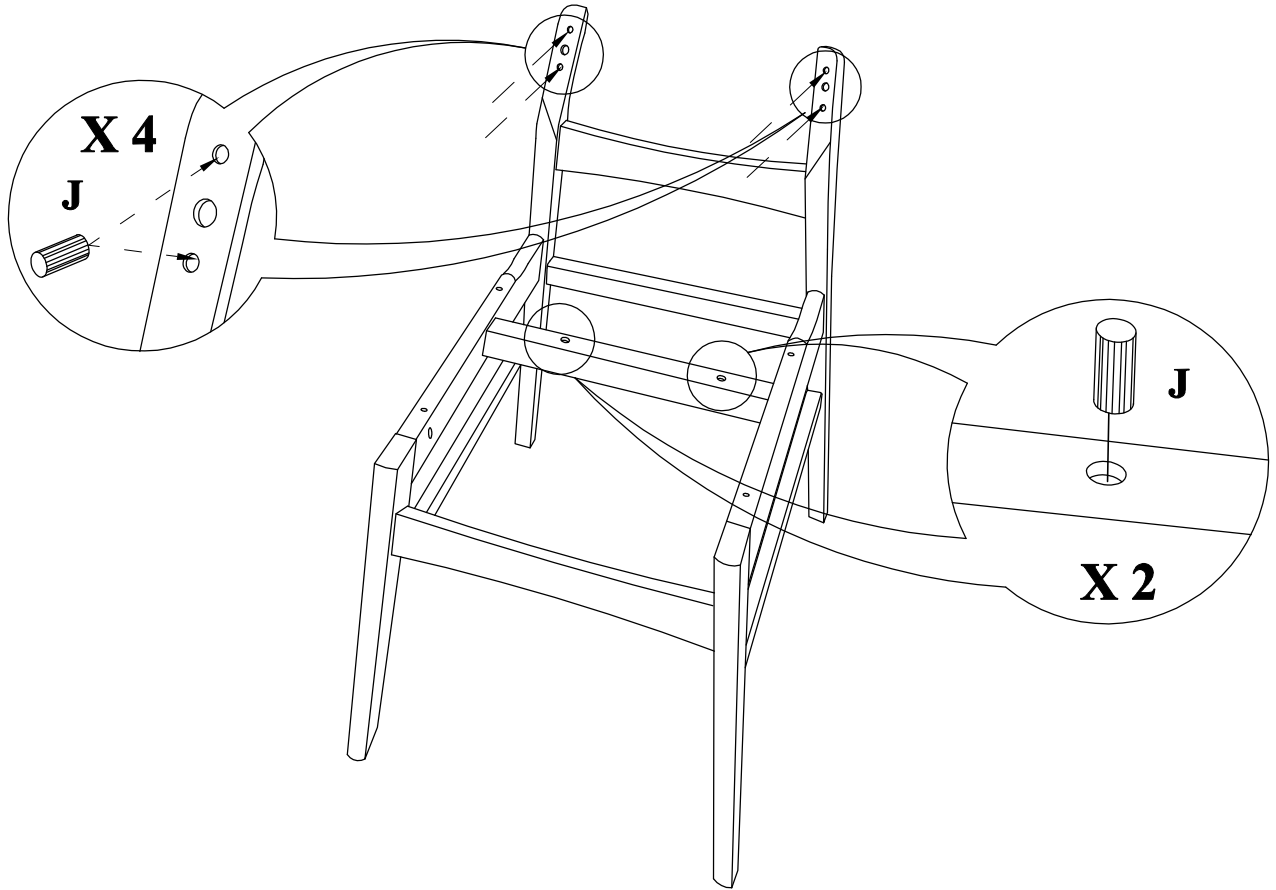
### STEP 3



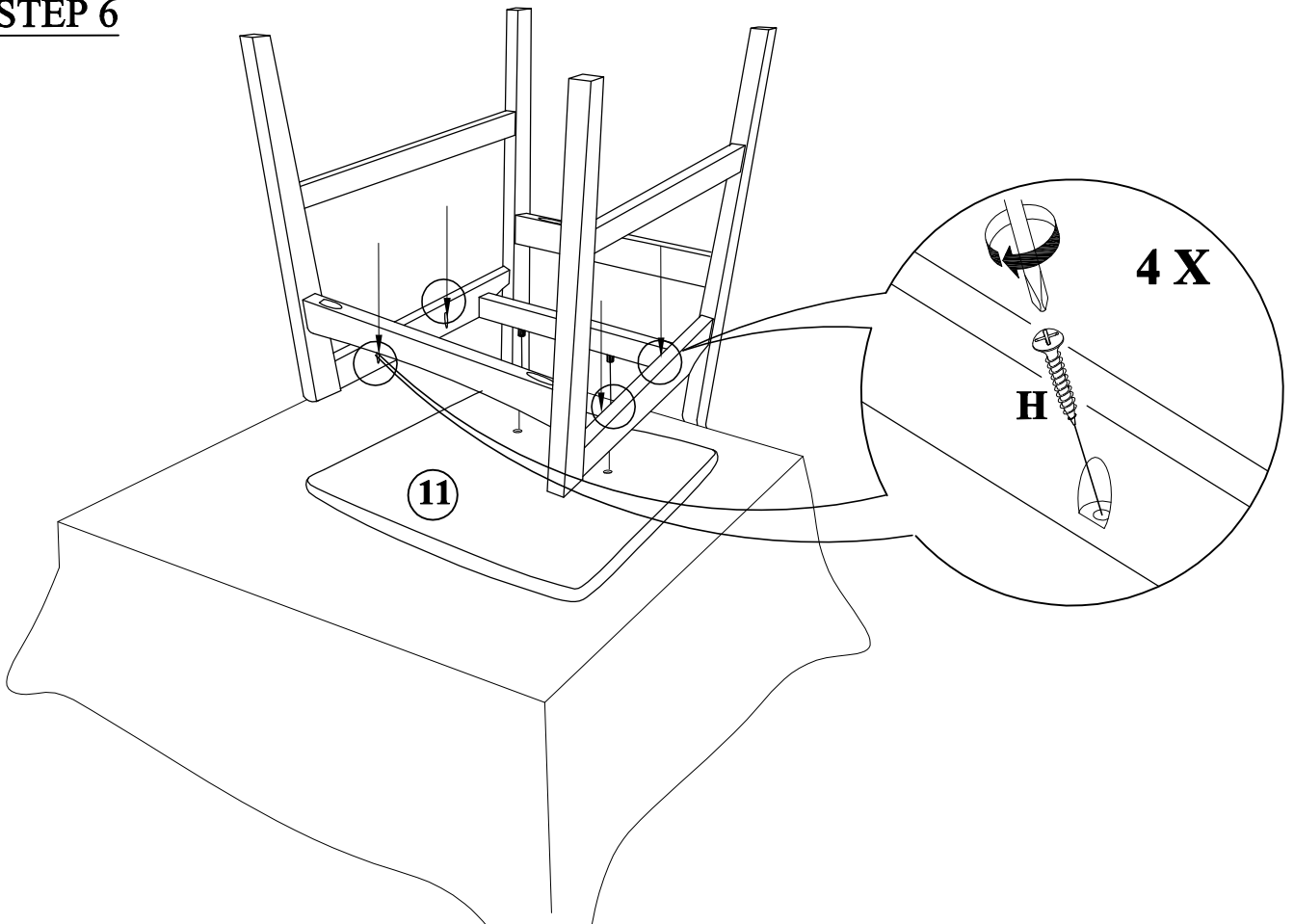
### STEP 4



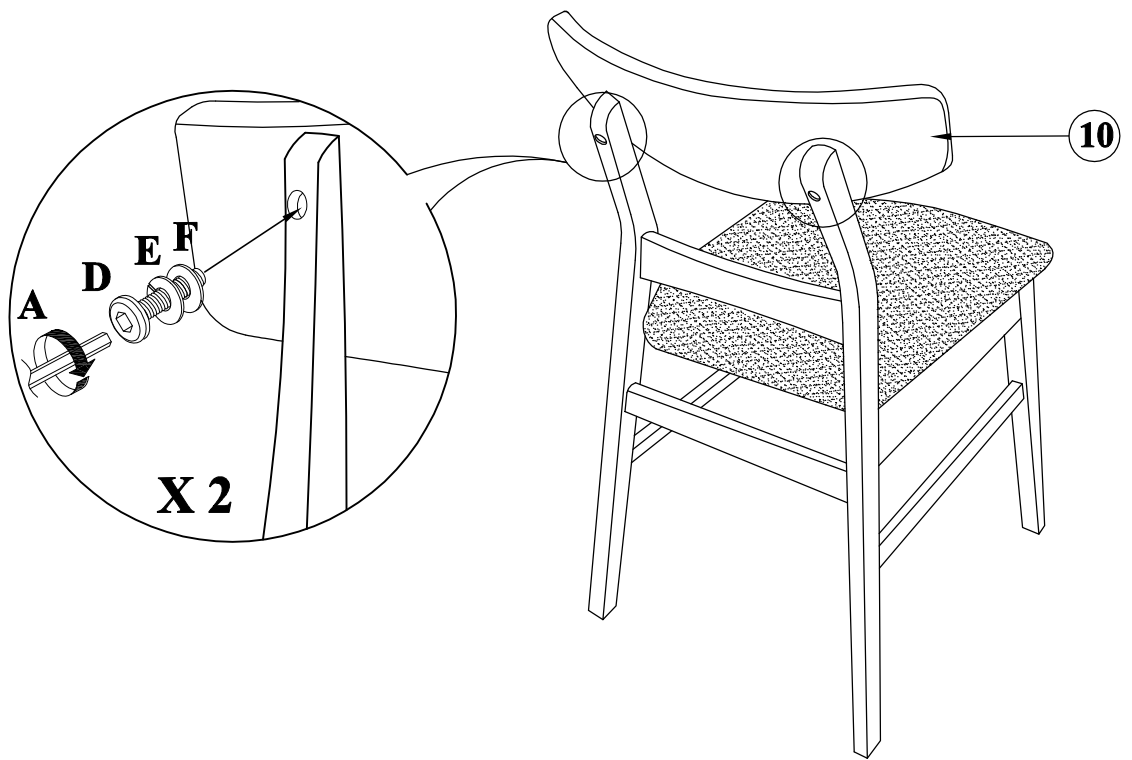
**STEP 5**



**STEP 6**



**STEP 7**



**STEP 8**

