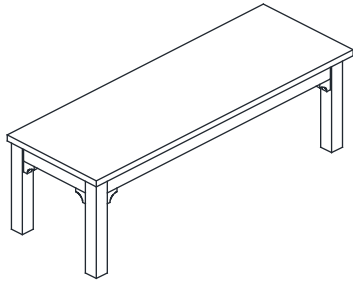


Progressive® furniture ASSEMBLY INSTRUCTION

Item No: D869-69

Description: DINING BENCH







IMPORTANT NOTE:

- Place all wooden parts on a clean and smooth surface such as a rug or carpet to avoid the parts from being scratched.
- Check to be sure that you have all parts and hardware.
- Remove all wrapping materials, including staples & packing straps before you start to assemble.
- Do not tighten all screws/bolts until all completely assembled.
- Keep all hardware parts out of reach of children.

Each Bench

PARTS LIST		
NO.	COMPONENT	QTY.
1	BENCH SEAT	1PC
2	BENCH LEG	4PCS

HARDWARE LIST			
No	DESCRIPTION		QTY
A		Bolt $\Phi 5/16"$ x 50mm	8 PCS
B		Flat washer $\Phi 5/16"$	8 PCS
C		Lock washer $\Phi 5/16"$	8 PCS
D		Allen wrench	1 PC

